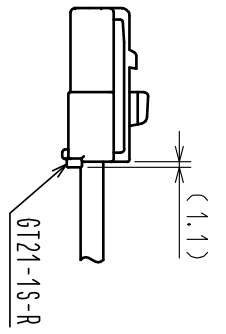
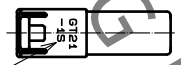
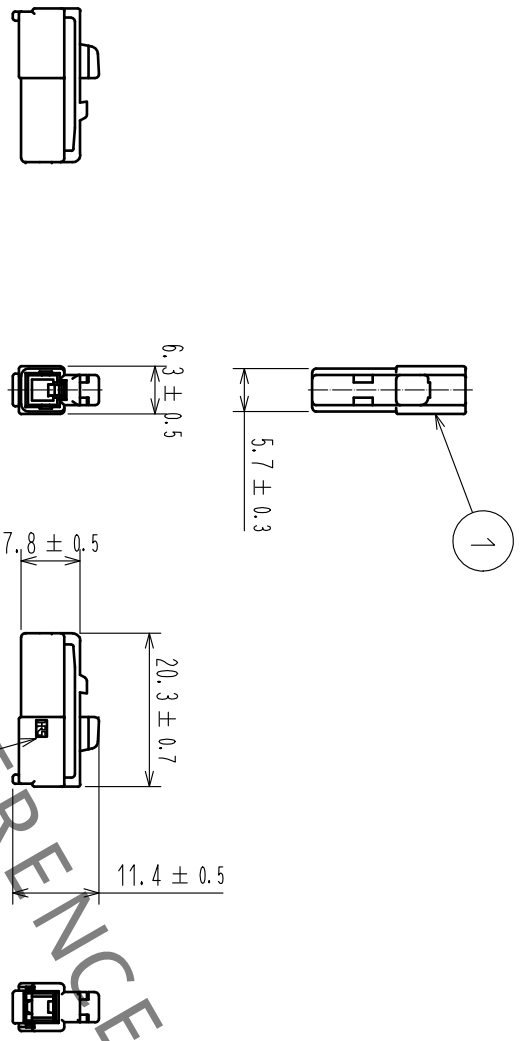


ELV, RoHS COMPLIANT



HRS DRAWING FOR REFERENCE

1	PBT	UL94HB, LIGHT GRAY							
NO.	MATERIAL	FINISH . REMARKS	NO.	MATERIAL	FINISH . REMARKS	NO.	MATERIAL	FINISH . REMARKS	DATE
UNITS		SCALE	COUNT	DESCRIPTION OF REVISIONS	HK. WATANABE	CHECKED	CHECKED		
mm		1 : 1	2	DIS-T-00006981	MO. OKADA	20201215			
APPROVED : AR. SHIRAI		DRAWING NO.		EDC4-167459-00					
CHECKED : NH. NAKATA		PART NO.		GT21-1S-HU					
DESIGNED : MO. OKADA		DRAWING CODE		CLO771-0005-9-00					
DRAWN : MO. OKADA		DRAWING NO.							
		DRAWING CODE							
		DRAWING NO.							