

TECHNICAL SPECIFICATIONS

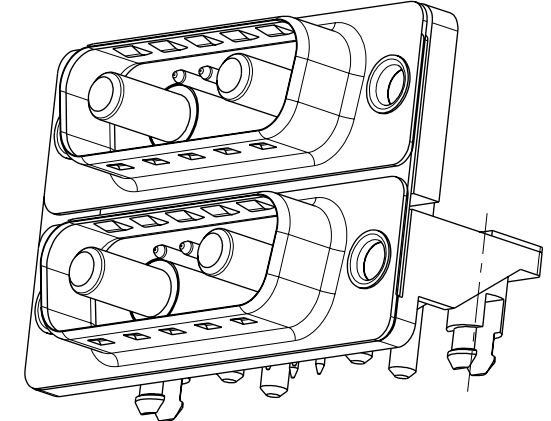
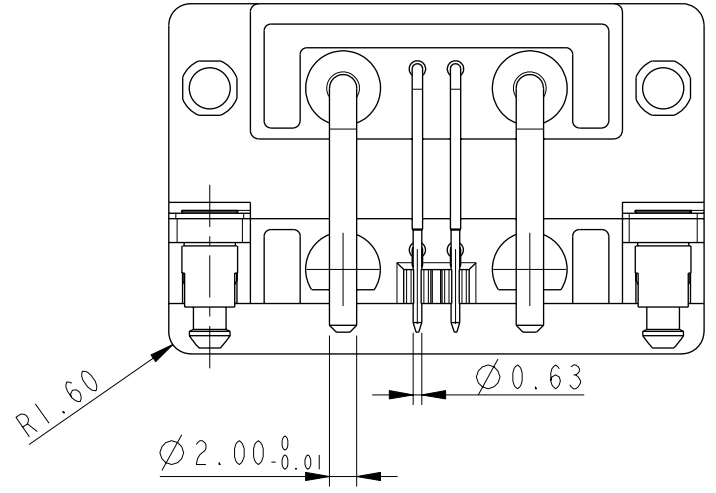
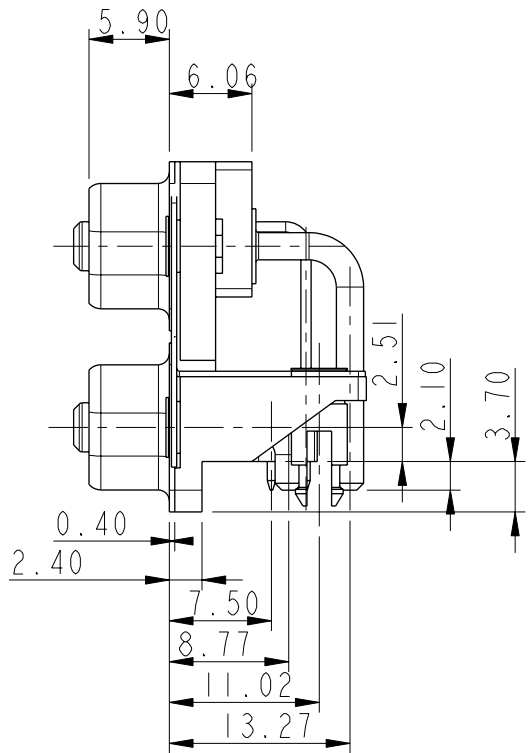
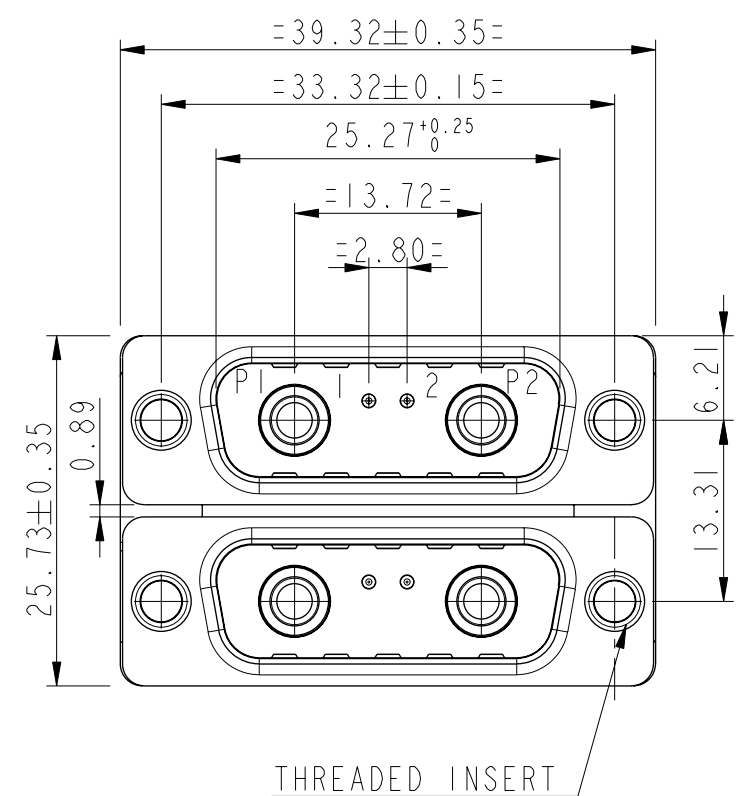
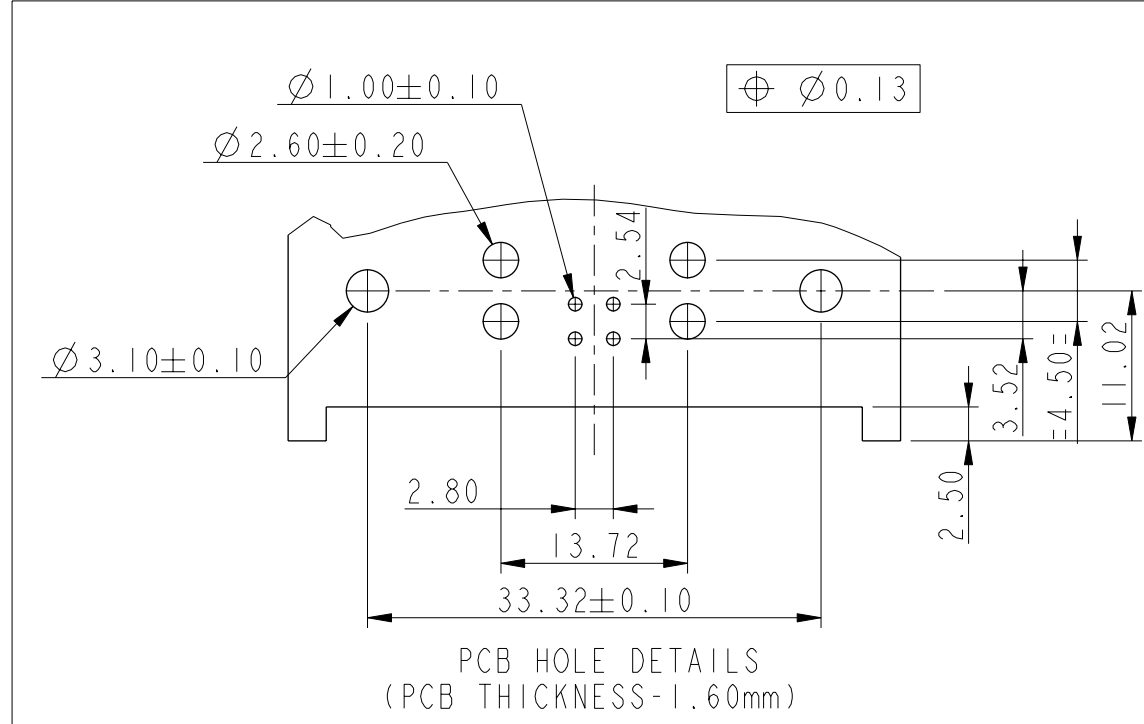
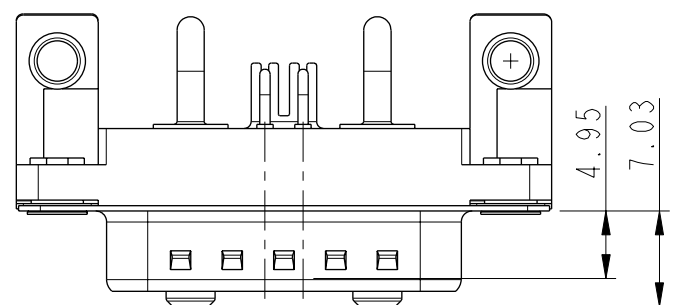
1: MATERIAL:
 INSULATOR : High Temperature Thermoplastics
 CONTACTS : Copper alloy
 SHELLS : Steel with Nickel Plated

2: PLATING:
 CONTACT ACTIVE ZONE : GOLD or Equivalent
 TERMINATION ZONE : TIN over Cu
 METAL BRACKET : BRASS- NICKEL
 HARPOON : BRASS- TIN
 CLINCH NUT : BRASS- NICKEL

3: ELECTRICAL DATA:
 Current Rating : 48V/24A for Power contact
 : 0.375 A for signal contact
 Test Voltage : 1000V
 Contact Resistance : For Power contacts- $\leq 10\text{m}\Omega$
 : For Signal contacts - $\leq 25\text{m}\Omega$
 Insulation Resistance : 5000M Ohm
 Electrical continuity between shell and harpoon

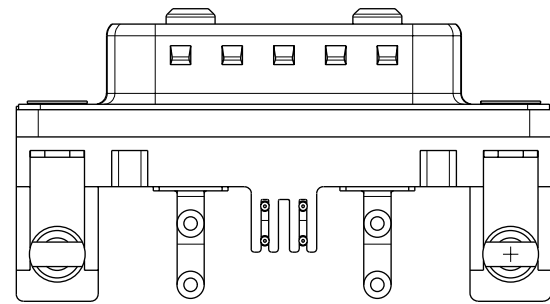
4: ENVIRONMENTAL CHARACTERISTICS- ROHS Compatible
 Operating temperature : 70°C+30°C Temperature rise

5: MECHANICAL LIFE : 200 matings



"This Product Meets European union directives & other country regulations as described in GS-22-008"
 Packing as per GS 14-1104

PART NO. 10070158-00119XLF
 X- 440UNC Threaded Insert
 L- M3 Threaded Insert



rev	ecn no	dr	date
A	107-0051	NG	2007-07-17
B	107-0163	NG	2007-11-30
C	108-0019	NG	2008-02-08
-	-	-	-
-	-	-	-
-	-	-	-
-	-	-	-

www.fciconnect.com		surface ISO 1302	tolerance std ISO 406 ISO 1101	projection mm	Scale 2:1
		TOLERANCES UNLESS OTHERWISE SPECIFIED		mm	
Dr	NIRMAL G	2006-10-20	ANGULAR	0.X	±0.3
Eng	NIRMAL G	2007-11-29	LINEAR	0.XX	±0.10
Chr	ANISH SALAM	2008-02-08	0° ±2°	0.XXX	±0.050
Appr	BIJU K PAUL	2008-02-08	Product family	-D-SUB	Spec ref
FCI		DUAL PCB CONNECTOR-48V		10070158-001	
		MicroTCA-Male Solder to board version		Rev. C	
		catalog no		CUSTOMER sheet 1 of 1	

Copyright FCI. FCI