

NOTES:

1. MATERIALS OF CONSTRUCTION:

SMA BODY - STAINLESS STEEL, PASSIVATED
 P-SMP BODY - BERYLLIUM COPPER, GOLD PLATING
 CONTACT PIN - BERYLLIUM COPPER, GOLD PLATING
 INSULATOR - PTFE, NATURAL

2. ELECTRICAL:

A. IMPEDANCE: 50 OHM, NOMINAL
 B. FREQUENCY RANGE: DC - 10 GHz
 C. RETURN LOSS(VSWR): 33 dB MIN. @ DC-4 GHz
 26 dB MIN. @ 4-10 GHz
 D. INSERTION LOSS: $0.05X\sqrt{f(\text{GHz})}$ dB MAX.
 E. POWER HANDLING: 200W MAX. @ 2.2 GHz AT 20°C
 F. D.W.V: 1000 VRMS, MIN.

3. MECHANICAL:

A. DURABILITY: SMA JACK SIDE : 500 CYCLES MIN.
 P-SMP JACK SIDE: 100 CYCLES MIN WHEN MATED WITH FULL DETENT PLUG
 100 CYCLES MIN WHEN MATED WITH LIMITED DETENT PLUG
 1000 CYCLES MIN WHEN MATED WITH A SMOOTH BORE PLUG
 B. TEMPERATURE RANGE: -55°C TO +155°C

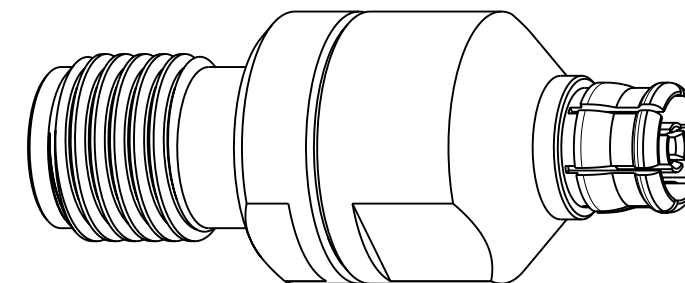
4. PACKAGING:

A. QUANTITY: SINGLE PACK
 B. MARKING: BAG TO BE MARKED
 "AMPHENOL RF, AD-SMAJ-PSMPJ-1, AND DATE CODE"

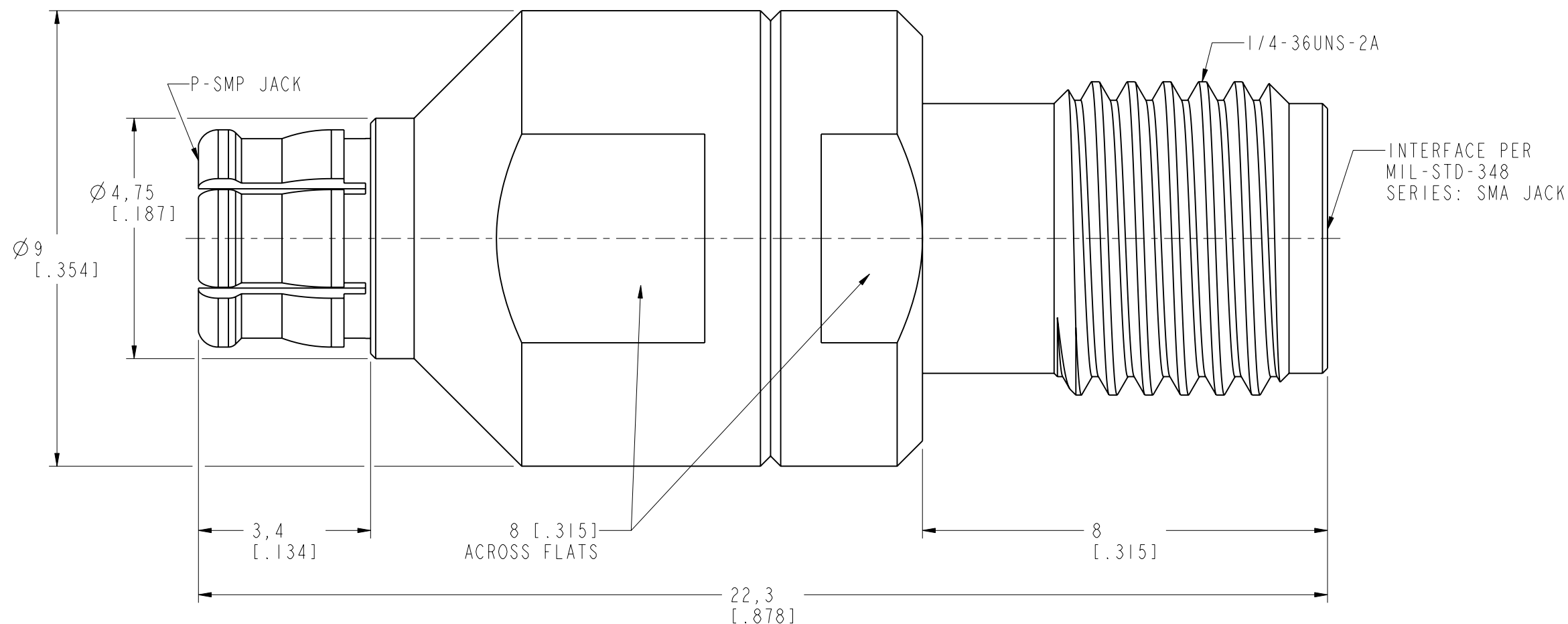
THIRD ANGLE PROJ.

REVISIONS

| REV | DESCRIPTION | DATE | ECO | APPR |
|-----|-----------------|-----------|-------|------|
| A | RELEASE TO MFG. | 14-May-18 | 08102 | BEW |



SCALE 4.000



CUSTOMER OUTLINE DRAWING

ALL OTHER SHEETS ARE FOR INTERNAL USE ONLY

UNLESS OTHERWISE SPECIFIED, DIMENSIONS ARE IN METRIC AND TOLERANCES ARE:
 <0.5mm ±0.05mm 0.5 - 6mm ±0.1mm 6 - 30mm ±0.2mm 30 - 120mm ±0.3mm ANGLES ±1°

NOTICE - These drawings, specifications, or other data (1) are, and remain the property of Amphenol corp. (2) must be returned upon request; and (3) are confidential and not to be disclosed to any person other than those to whom they are given by Amphenol Corp. the furnishing of these drawings, specifications, or other data by Amphenol Corp., or to any other person to anyone for any purpose is not to be regarded by implication or otherwise in any manner licensing, granting rights to permitting such holder or any other person to manufacture, use or sell any product, process or design, patented or otherwise, that may in any way be related to or disclosed by said drawings, specifications, or other data.

| | |
|----------------------|---------------|
| MATERIAL | - |
| REFERENCE | EAR# 6971 AND |
| CONFIGURATION LEVEL: | In Work |
| FINISH | |

| | | | |
|----------|----------|------|-----------|
| DRAWN | M. ZHANG | DATE | 14-May-18 |
| ENGINEER | M. ZHANG | DATE | 08-Apr-16 |
| APPROVED | S. HSIEH | DATE | 15-May-18 |
| CAD FILE | | | |

| | | | |
|----------|----------|--------------------------------|--------|
| TITLE | | P-SMP JACK TO SMA JACK ADAPTER | |
| SCALE: | 10.0:1.0 | SHEET | 2 OF 2 |
| DWG SIZE | B | REV | A |

| | |
|--------------------|-----------------|
| Amphenol RF | |
| www.amphenolrf.com | |
| DRAWING NO. | AD-SMAJ-PSMPJ-1 |
| ITEM NO. | AD-SMAJ-PSMPJ-1 |
| PART NO. | AD-SMAJ-PSMPJ-1 |