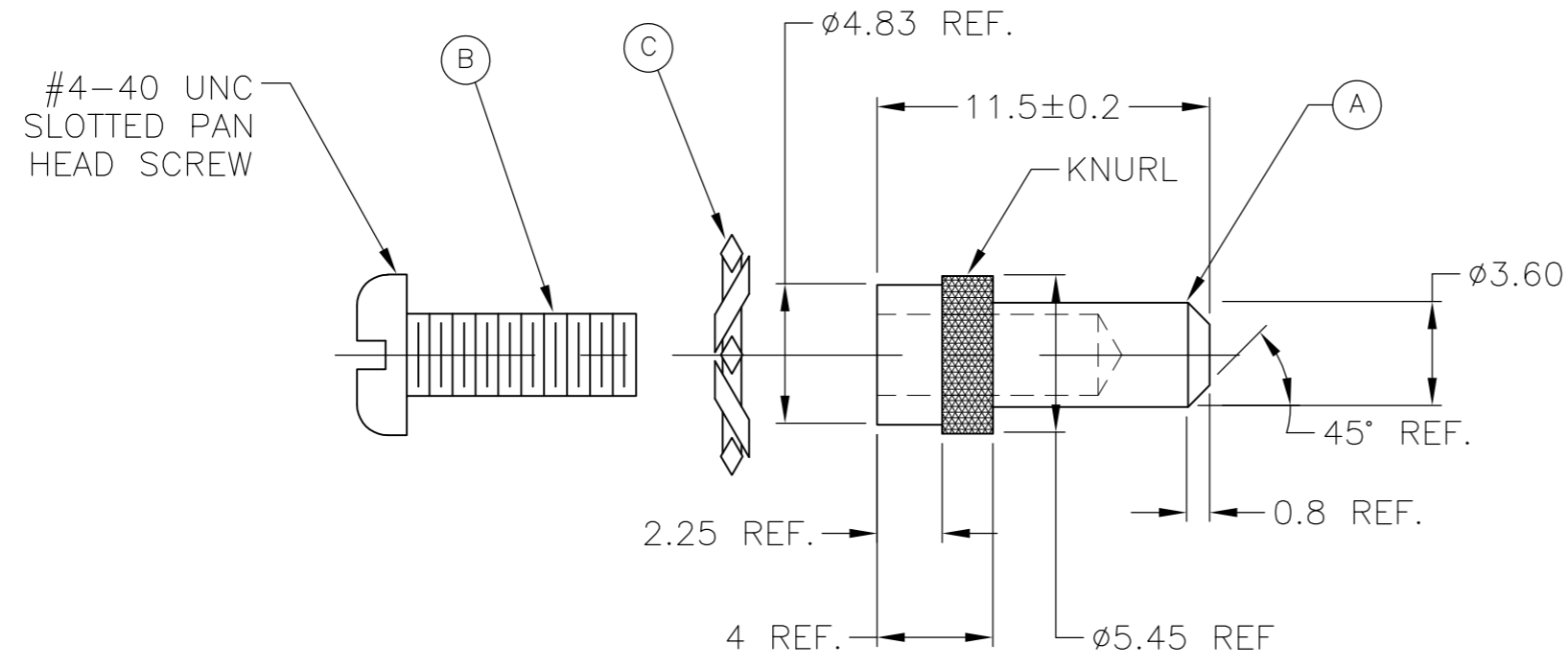


THIS DRAWING IS UNPUBLISHED. RELEASED FOR PUBLICATION
 © COPYRIGHT BY TYCO ELECTRONICS CORPORATION. ALL RIGHTS RESERVED.

LOC	DIST	REVISIONS					
AD	00	P	LTR	DESCRIPTION	DATE	DWN	APVD
			B	RELEASED PER ECO-08-003162	04FEB08	DH	AS



- 1 MATERIAL:
 A. POWER CONTACT: COPPER ALLOY
 B. SCREW: BRASS
 C. WASHER: PHOS BRONZE
- 2 FINISH:
 A. POWER CONTACT: GOLD OVER NICKEL
 B. SCREW: NICKEL
 C. WASHER: NONE
- 3 SCREW LENGTH: 7.92 REF.

5223167-1
 PART NUMBER

THIS DRAWING IS A CONTROLLED DOCUMENT.		DWN D. HUMBERT 020CT2007	Tyco Electronics Corporation Harrisburg, PA 17105-3608	
DIMENSIONS: mm		CHK A. SHARPE 020CT2007	NAME ASSEMBLY, CONTACT, PIN POWER WITH WASHER & SCREW	
TOLERANCES UNLESS OTHERWISE SPECIFIED:		APVD A. SHARPE 020CT2007	PRODUCT SPEC -	
0 PLC ± - 1 PLC ± 0.1 2 PLC ± 0.13 3 PLC ± - 4 PLC ± - ANGLES ± -		APPLICATION SPEC -	SIZE A3	RESTRICTED TO -
MATERIAL 1		WEIGHT -	CAGE CODE 00779	DRAWING NO 5223167
FINISH 2		SCALE 4:1		SHEET 1 OF 1
CUSTOMER DRAWING		REV B		