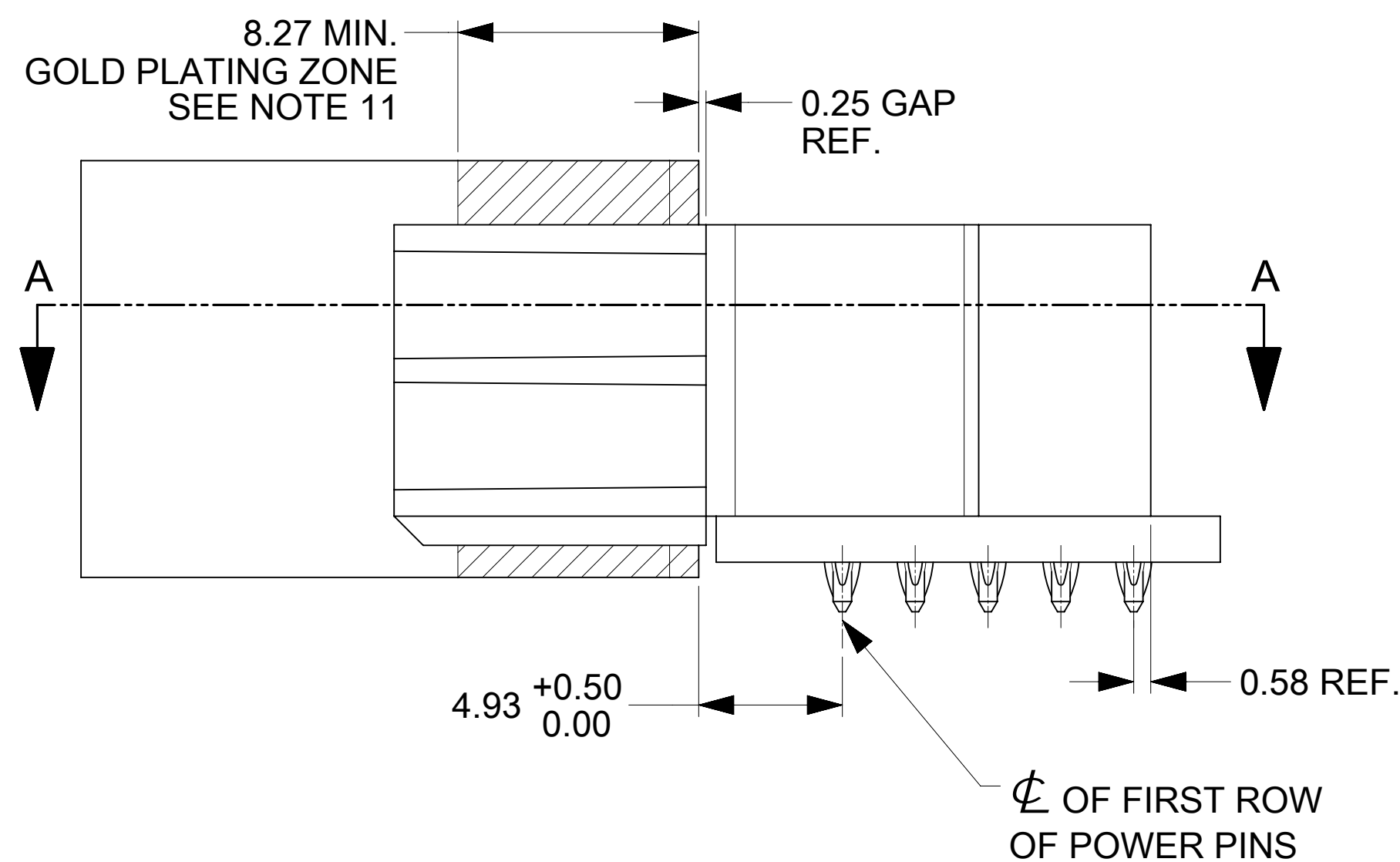
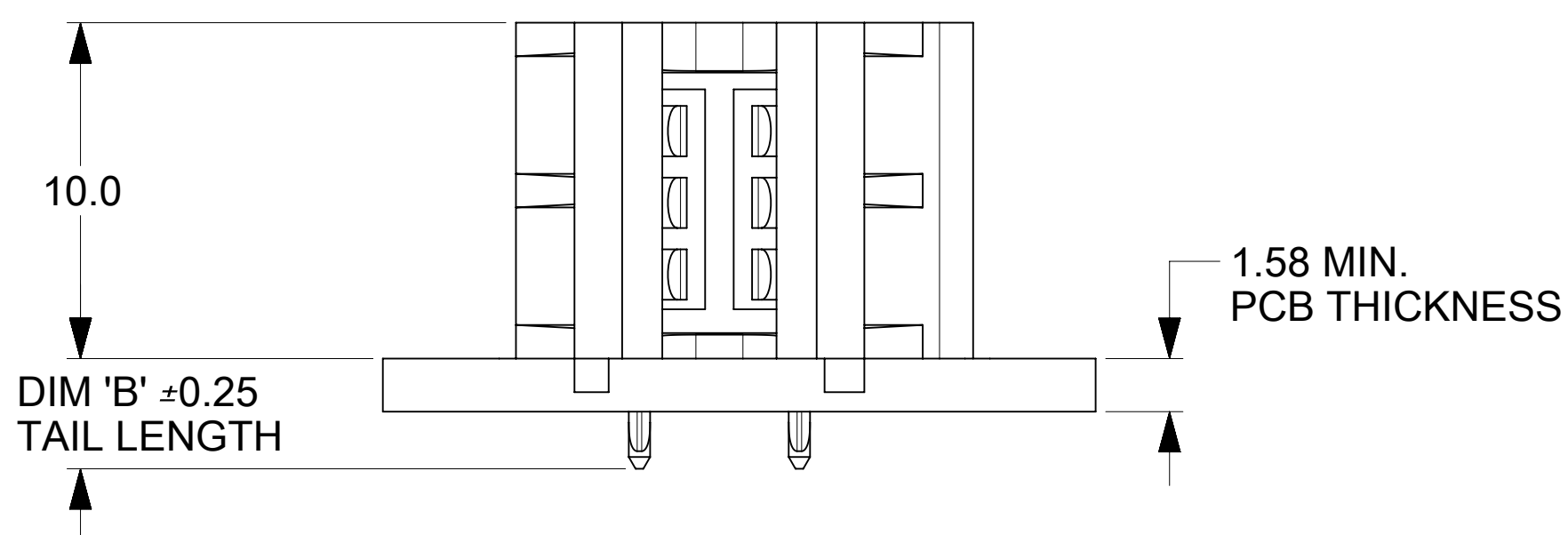
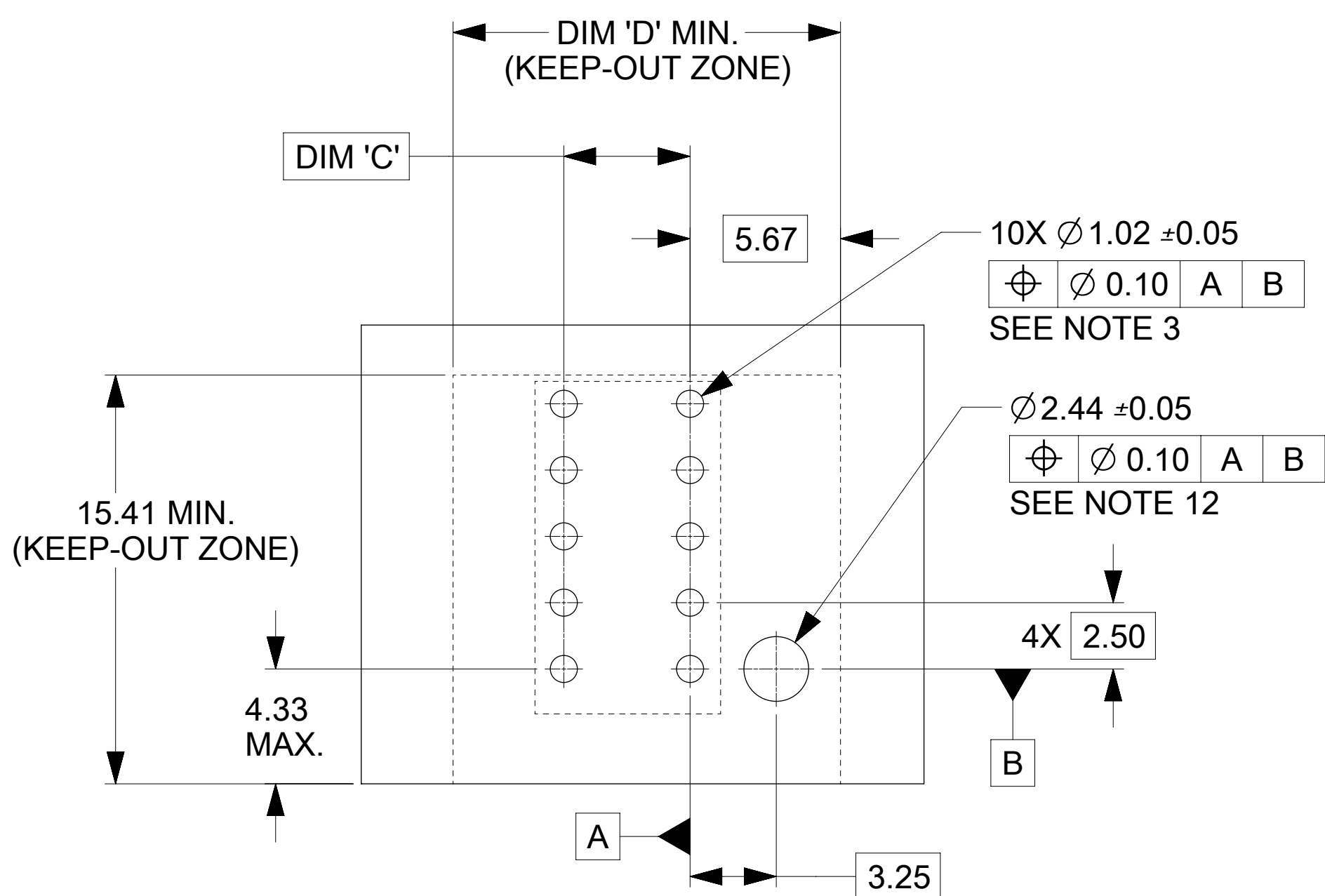
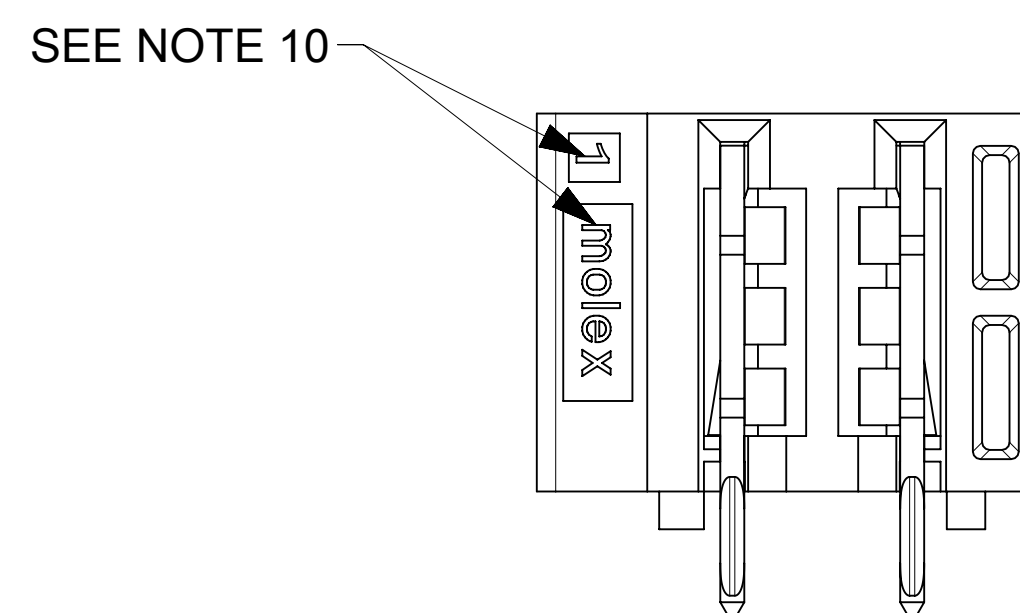


SECTION A-A



MATED PROFILE



RECOMMENDED PCB LAYOUT AND KEEP-OUT ZONE (SHOWN FROM TOP)

NOTES:

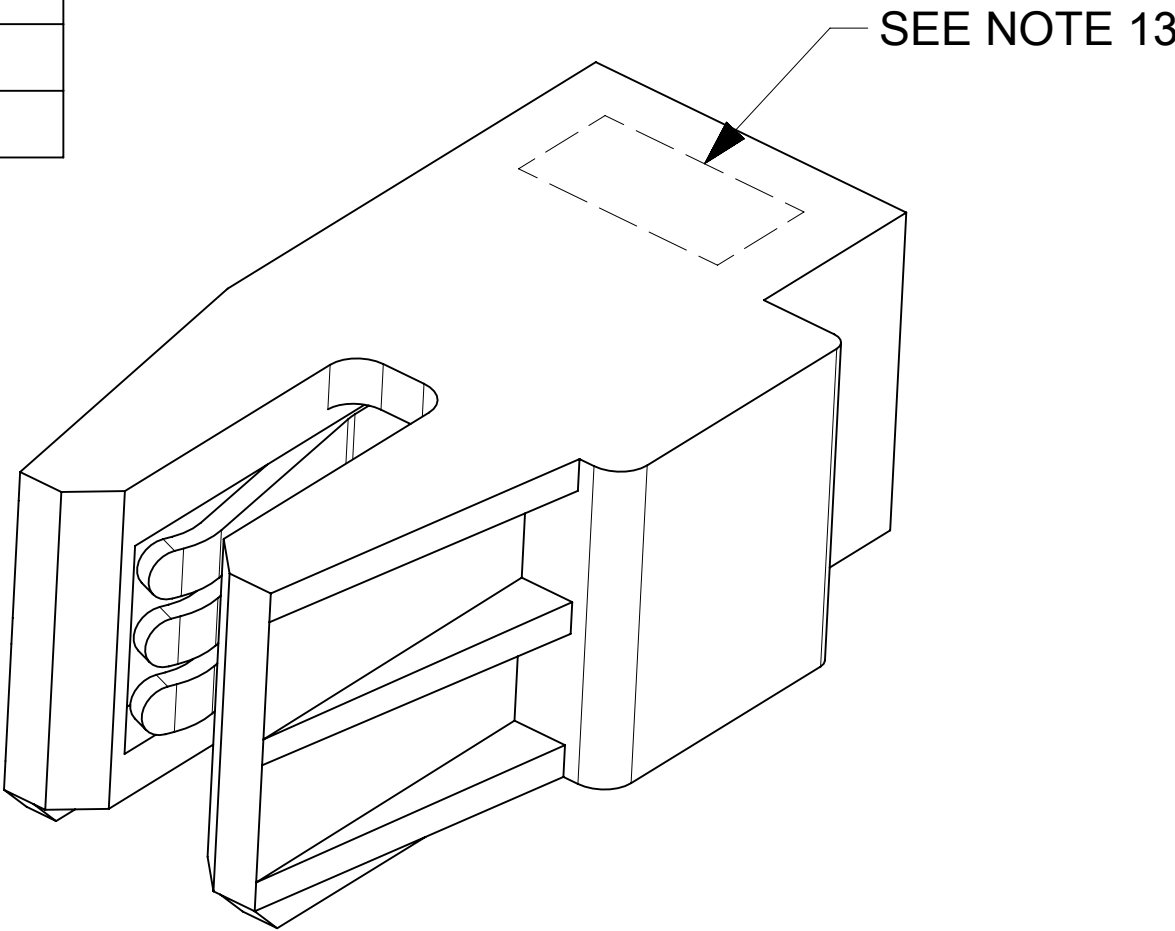
- MATERIAL:
 - HOUSINGS: LCP UL94 V-0, COLOR: BLACK.
 - TERMINALS: COPPER ALLOY.
 - PLATING: 1.27 MICROMETER (50 MICROINCH) NICKEL OVERALL WITH:
2.54 MICROMETER (100 MICROINCH) SELECTIVE TIN ON TAILS AND
0.762 MICROMETER (30 MICROINCH) SELECTIVE GOLD ON CONTACT AREA
- PACKAGING: ASSEMBLIES TO BE TRAY PACKED PER PACKAGING SPEC: 1737080000-PK.
- PLATED THRU HOLE SIZE, REFER TO 173708-0000-PS FOR DETAILS.
- PRODUCT SPEC: 173708-0000-PS.
- PRODUCT TO MEET RoHS REQUIREMENTS.
- ASSEMBLY MATES WITH BUS BAR, SEE CHART FOR THICKNESS.
- TAIL DESIGN: SEE CHART.
- POWER CONTACTS ARE LUBRICATED.
- APPLICATION SPEC: AS-46436-100.
- MOLEX LOGO AND CAVITY ID TO BE LOCATED APPROXIMATELY AS SHOWN.
- BUSBAR MUST HAVE GOLD OVER NICKEL PLATING IN MATING ZONE, MOLEX RECOMMENDS GOLD PLATING BE COATED WITH AN ENVIRONMENTAL BARRIER
- DESIGNED FOR USE WITH #2-32 TYPE AB SELF TAPPING SCREW, RECOMMENDED TORQUE: .37 N-m MAX. TORQUE SCREWS ARE NOT SUPPLIED WITH THE CONNECTOR.
- PART NUMBER AND DATE CODE IN APPROX. LOCATION AS SHOWN.

PART NUMBER	DIM 'A'	DIM 'B'	DIM 'C'	DIM 'D'	DIM 'E' BUS BAR THICKNESS	DIM 'F'	TAIL TYP.
173708-0011	13.61	3.28	4.76	14.61	3.00	2.38	PRESS-FIT
173708-0012	13.79	3.28	4.94	14.79	3.18	2.47	
173708-0013	16.71	3.28	7.86	17.71	6.10	2.38	SOLDERTAIL (.062" PCB)
173708-0014	13.61	2.84	4.76	14.61	3.00	2.38	
173708-0015	13.79	2.84	4.94	14.79	3.18	2.47	SOLDERTAIL (.093" PCB)
173708-0016	16.71	2.84	7.86	17.71	6.10	2.38	
173708-0017	13.61	3.63	4.76	14.61	3.00	2.38	SOLDERTAIL (.093" PCB)
173708-0018	13.79	3.63	4.94	14.79	3.18	2.47	
173708-0019	16.71	3.63	7.86	17.71	6.10	2.38	

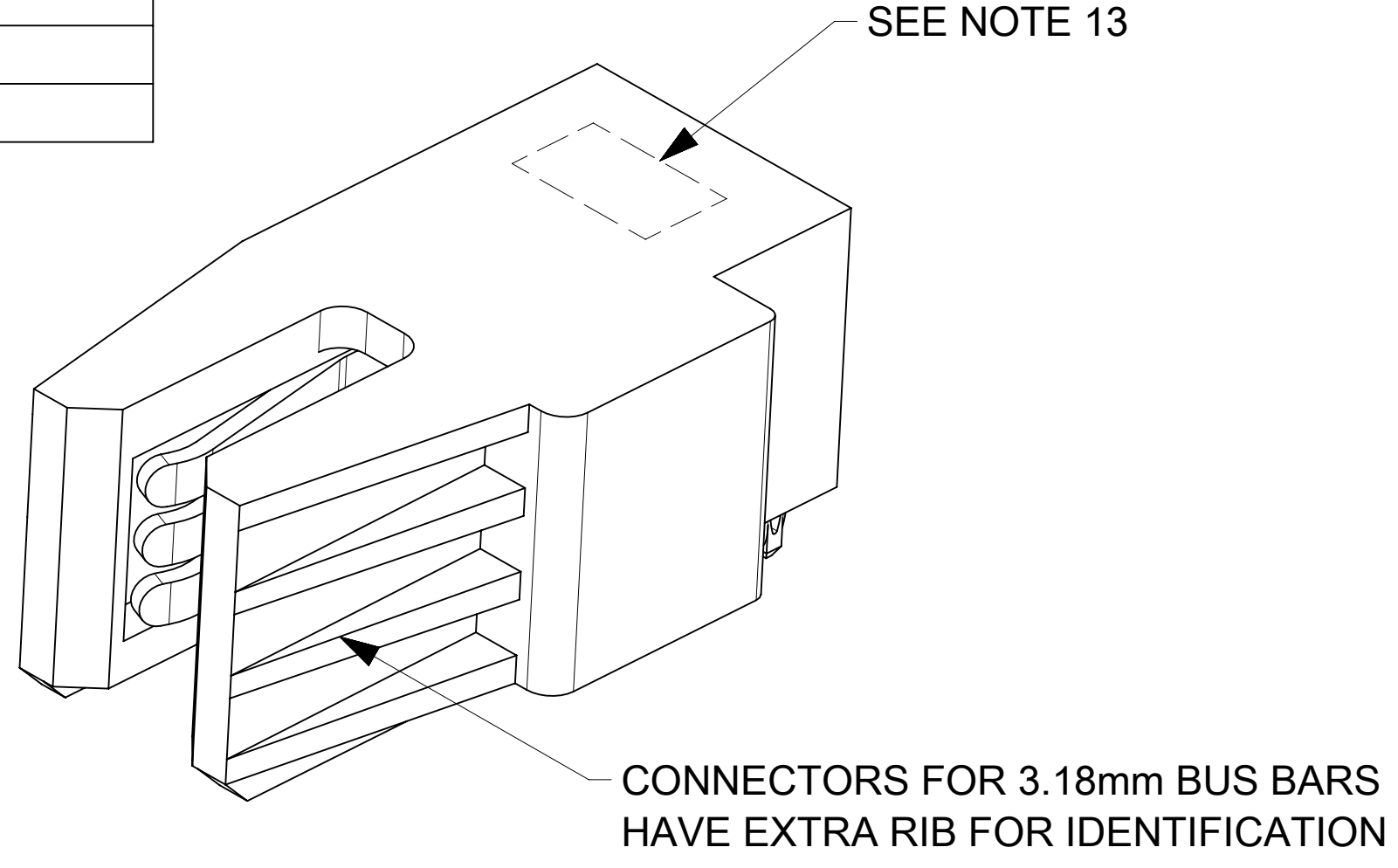
THIS DRAWING CONTAINS INFORMATION THAT IS PROPRIETARY TO MOLEX ELECTRONIC TECHNOLOGIES, LLC AND SHOULD NOT BE USED WITHOUT WRITTEN PERMISSION

DIMENSION UNITS: mm	SCALE: 5:1	CURRENT REV DESC:	molex		
GENERAL TOLERANCES (UNLESS SPECIFIED)					
ANGULAR TOL: ± 0.5°		EC NO: 643868	PRODUCT CUSTOMER DRAWING		
4 PLACES: ±		DRWN: GSHARMA 2020/08/12	DOCUMENT NUMBER: 1737080011		
3 PLACES: ±		CHK'D: GSHARMA 2020/08/31	DOC TYPE: PSD		
2 PLACES: ± 0.13		APPR: STTAN 2020/10/09	DOC PART: 000		
1 PLACE: ± 0.25		INITIAL REVISION: DRWN: GSHARMA 2020/05/07	REVISION: A1		
0 PLACES: ±		APPR: HTHYAGARAJ 2020/07/13	SHEET NUMBER: 1 OF 2		
DRAFT WHERE APPLICABLE MUST REMAIN WITHIN DIMENSIONS	THIRD ANGLE PROJECTION	DRAWING: D-SIZE	SERIES: 173708	MATERIAL NUMBER: SEE TABLE	CUSTOMER: GENERAL MARKET

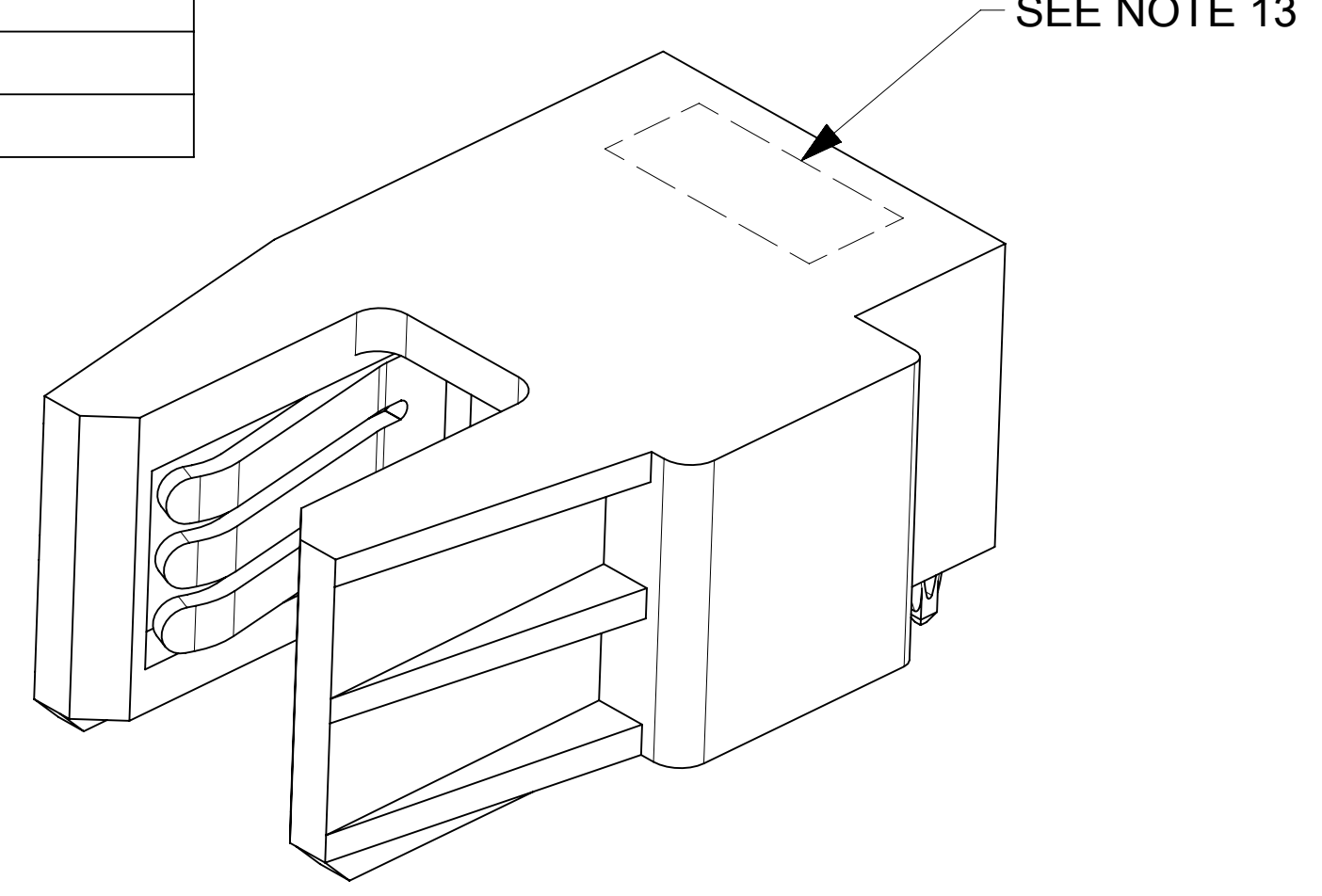
MATES TO 3.00mm BUS BAR	
173708-0011	
173708-0014	
173708-0017	



MATES TO 3.18mm BUS BAR	
173708-0012	
173708-0015	
173708-0018	



MATES TO 6.10mm BUS BAR	
173708-0013	
173708-0016	
173708-0019	



THIS DRAWING CONTAINS INFORMATION THAT IS PROPRIETARY TO MOLEX ELECTRONIC TECHNOLOGIES, LLC AND SHOULD NOT BE USED WITHOUT WRITTEN PERMISSION									
DIMENSION UNITS	SCALE	CURRENT REV DESC:			molex				
mm	5:1								
GENERAL TOLERANCES (UNLESS SPECIFIED)		EC NO: 643868			R/A BUSBAR CONNECTOR 1-CKT RECEPTACLE				
ANGULAR TOL	± 0.5°	DRWN: GSHARMA 2020/08/12			PRODUCT CUSTOMER DRAWING				
4 PLACES	±	CHK'D: GSHARMA 2020/08/31			DOCUMENT NUMBER				
3 PLACES	±	APPR: STTAN 2020/10/09			1737080011				
2 PLACES	± 0.13	INITIAL REVISION:			DOC TYPE				
1 PLACE	± 0.25	DRWN: GSHARMA 2020/05/07			PSD				
0 PLACES	±	APPR: HTHYAGARAJ 2020/07/13			000				
DRAFT WHERE APPLICABLE MUST REMAIN WITHIN DIMENSIONS		THIRD ANGLE PROJECTION	DRAWING	SERIES	MATERIAL NUMBER	CUSTOMER	SHEET NUMBER		
				D-SIZE 173708	SEE TABLE	GENERAL MARKET	2 OF 2		

DOCUMENT STATUS	P1	RELEASE DATE	2020/10/09 09:29:23
-----------------	----	--------------	---------------------