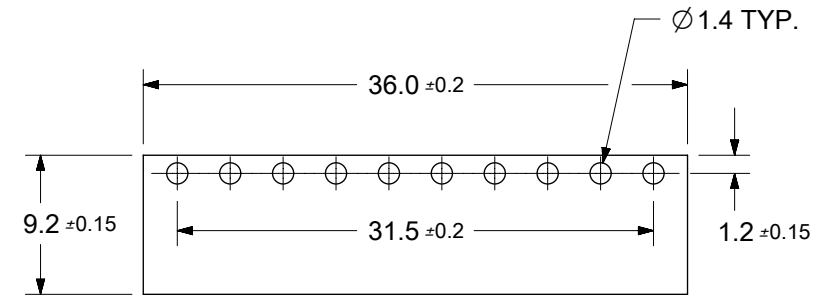
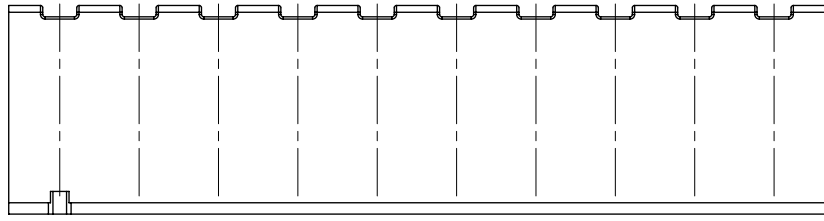


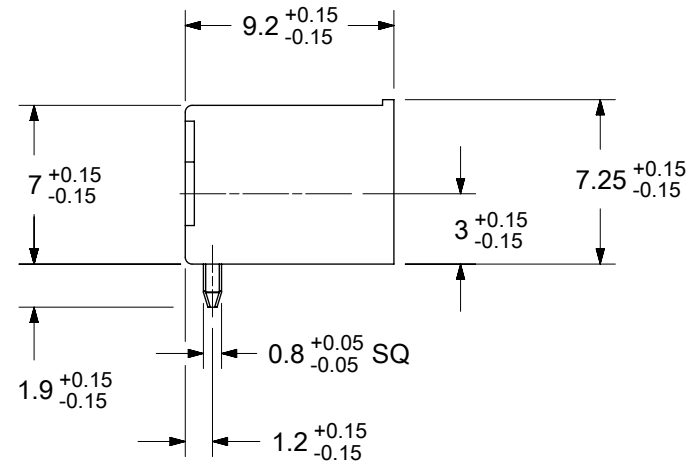
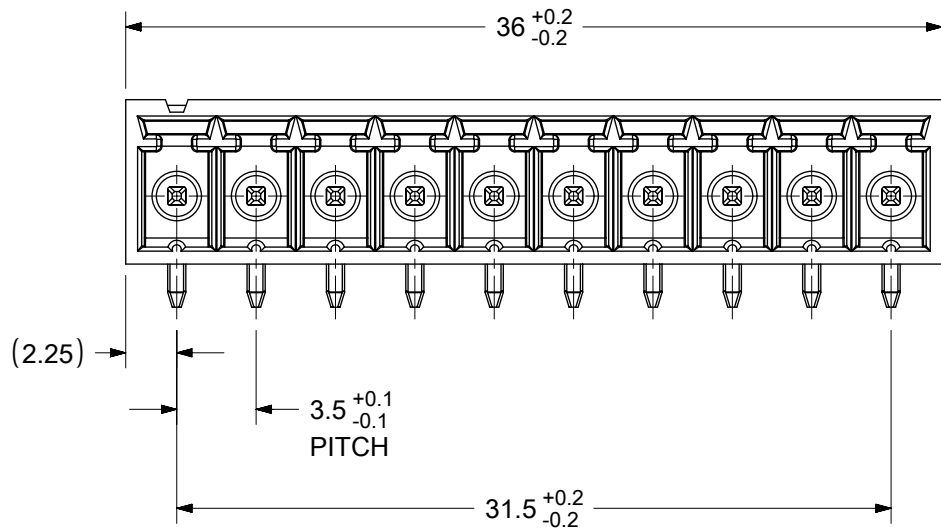
6 5 4 3 2 1

D



PCB LAYOUT
(SCALE 2:1)

C



B

SPECIFICATIONS

MATERIAL:

- 1. HOUSING: PA46 GF UL94V-0: COLOR: GREEN
- 2. TERMINAL: TIN PLATED COPPER ALLOY

ELECTRICAL RATINGS:

- 1. MAXIMUM VOLTAGE: 300V (PER UL)
- 2. MAXIMUM CURRENT: 11A (PER UL)

A

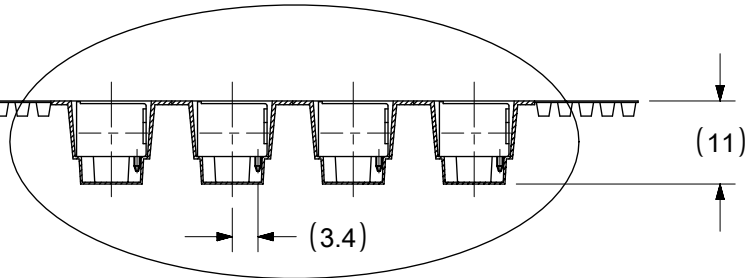
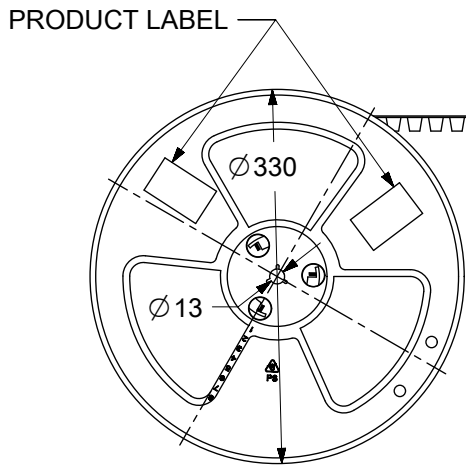
FUNCTIONAL SYMBOLS	THIS DRAWING CONTAINS INFORMATION THAT IS PROPRIETARY TO MOLEX ELECTRONIC TECHNOLOGIES, LLC AND SHOULD NOT BE USED WITHOUT WRITTEN PERMISSION											
	DIMENSION UNITS	SCALE	CURRENT REV DESC: INITIAL RELEASE									
	$\frac{E}{A} = 0$	mm	3:1									
	GENERAL TOLERANCES (UNLESS SPECIFIED)											
ANGULAR TOL	±	°										
DIVISIONAL SYMBOLS	4 PLACES	±	---	EC NO: 645226								
	3 PLACES	±	---	DRWN: ABENJAMINLW 2020/07/21								
	2 PLACES	±	---	CHK'D: DACHAMMER 2020/09/10								
	1 PLACE	±	---	APPR: JFMURPHY 2020/10/19								
	0 PLACES	±	---	INITIAL REVISION:								
DRAFT WHERE APPLICABLE MUST REMAIN WITHIN DIMENSIONS			THIRD ANGLE PROJECTION	DRAWING	SERIES	MATERIAL NUMBER	CUSTOMER	SHEET NUMBER				
				A-SIZE	39502	395023010		1 OF 2				

PRODUCT CUSTOMER DRAWING		
DOCUMENT NUMBER	DOC TYPE	DOC PART
395023010	PSD	000
REVISION	A	

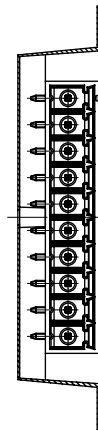
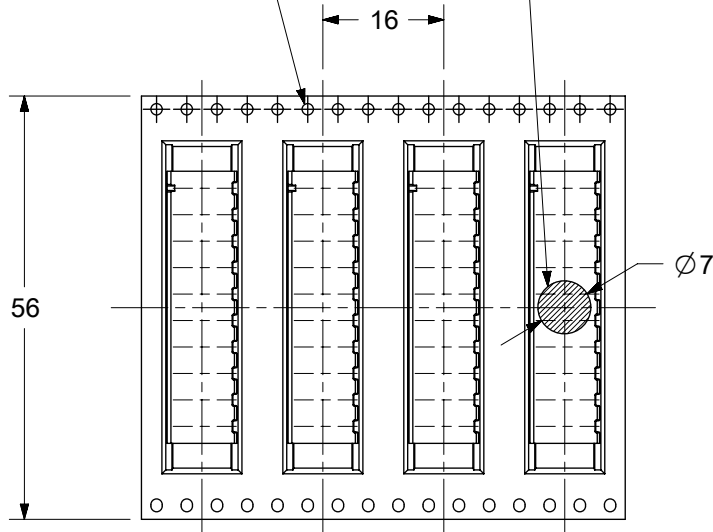
DOCUMENT STATUS	P1	RELEASE DATE	2020/10/19	17:06:27
-----------------	----	--------------	------------	----------

6 5 4 3 2 1

TAPE & REEL PACKAGING DETAILS



SPROCKET HOLES PICK & PLACE AREA



FUNCTIONAL SYMBOLS	THIS DRAWING CONTAINS INFORMATION THAT IS PROPRIETARY TO MOLEX ELECTRONIC TECHNOLOGIES, LLC AND SHOULD NOT BE USED WITHOUT WRITTEN PERMISSION												
	$\frac{E}{A} = 0$ $\frac{E}{C} = 0$ $\frac{E}{P} = 0$	DIMENSION UNITS	SCALE	CURRENT REV DESC: INITIAL RELEASE									
GENERAL TOLERANCES (UNLESS SPECIFIED)	mm	1:1	EC NO: 645226							3.50MM PITCH HEADER, 10 POLES			
DIVISIONAL SYMBOLS	ANGULAR TOL ± °		DRWN: ABENJAMINLW 2020/07/21							HORIZONTAL, HIGH TEMP HOUSING,			
4 PLACES	±	---	CHK'D: DACHAMMER 2020/09/10							TAPE & REEL PACKAGING			
3 PLACES	±	---	APPR: JFMURPHY 2020/10/19							PRODUCT CUSTOMER DRAWING			
2 PLACES	±	---	INITIAL REVISION:							DOCUMENT NUMBER	DOC TYPE	DOC PART	REVISION
1 PLACE	±	---	DRWN: ABENJAMINLW 2020/07/21							395023010	PSD	000	A
0 PLACES	±	---	APPR: JFMURPHY 2020/10/19							MATERIAL NUMBER	CUSTOMER	SHEET NUMBER	
DRAFT WHERE APPLICABLE MUST REMAIN WITHIN DIMENSIONS			THIRD ANGLE PROJECTION	DRAWING	SERIES	MATERIAL NUMBER	CUSTOMER	2 OF 2					
				A-SIZE	39502	395023010							