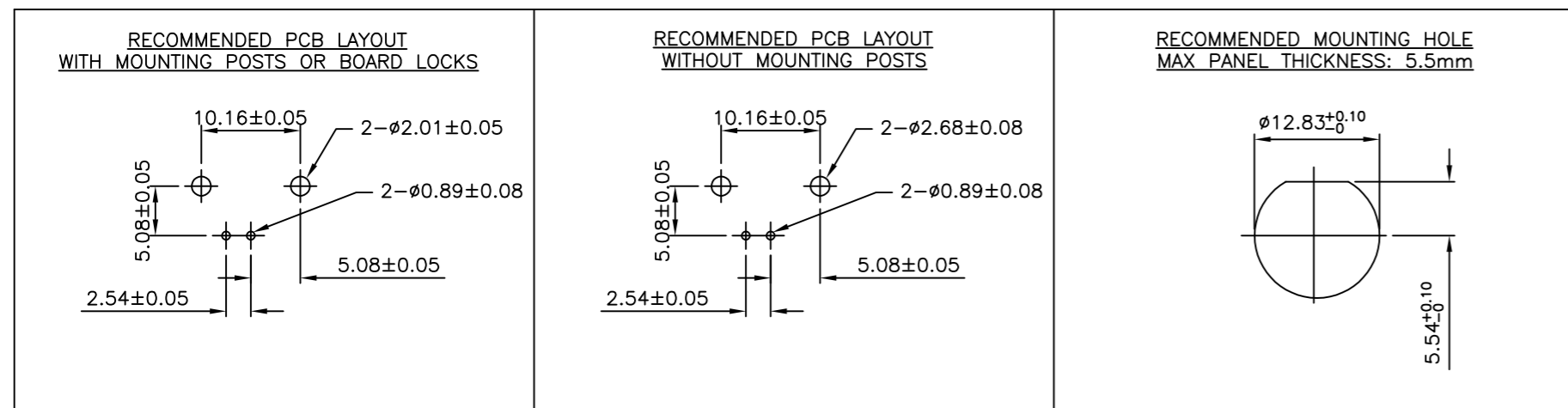
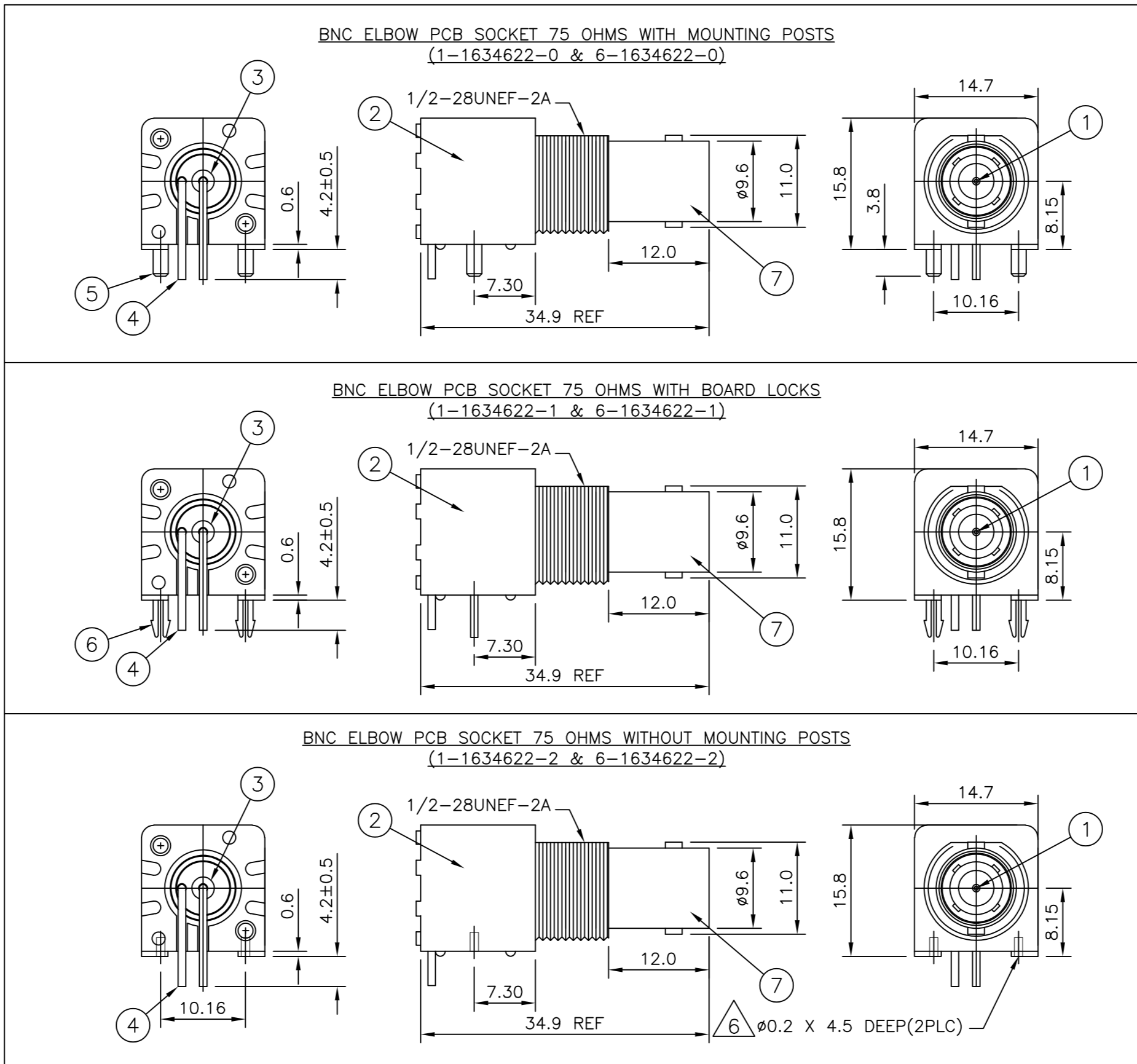


LOC		DIST		REVISIONS			
P	LTR	DESCRIPTION	DATE	DWN	APVD		
	C1	REVISED PER ECO-11-005033	31MAR11	RK	HMR		
	D	ECO-12-014680	20Aug2012	TITAN	MARTIN		
	E	ECO-12-018113	27DEC2012	TITAN	MARTIN		
	E1	ECO-13-014696	17SPE2013	RITA	MARTIN		

- NOTES:**
- 1 SINGLE PACK IN ACCORDANCE WITH AMP SPEC 107-3275
  - 2 50 TRAY PACK IN ACCORDANCE WITH AMP SPEC 107-3275
  - 3 GOLD PLATING
  - 4 NICKEL PLATING
  - 5 TIN PLATING
  - 6 RECOMMENDED SELF-TAPPING SCREW 221108-4
  - 7. RECOMMENDED MOUNT NUT 1-1634816-0
  - 8. RECOMMENDED LOCKWASHER 1-1634817-0
  - 9. FOR TECHNICAL DATA REFER TO YOUR LOCAL TE CONNECTIVITY SALES OFFICE
  - 10. ALL DIMENSIONS ARE NOMINAL FOR REFERENCE ONLY UNLESS OTHERWISE STATED



Obsolete	Obsolete	Obsolete	Obsolete	Quantity	Material	Description	Item
1	1	1	1	1	ZINC DIECAST	BOARD LOCK	7
-	-	2	2	-	BRASS	MOUNTING POST	6
-	-	-	-	2	BRASS	SOLDER TAIL	5
1	1	1	1	1	BRASS	INSULATOR	4
1	1	1	1	1	PE-606	HOUSING	3
1	1	1	1	1	PBT BLACK	CONTACT	2
1	1	1	1	1	BRASS	HOUSING	1
6--2	1--2	6--1	1--1	6--0	1--0	MATERIAL	DESCRIPTION
△	△	△	△	△	△		ITEM

THIS DRAWING IS A CONTROLLED DOCUMENT.

DWN: J.SANDWELL 17AUG05  
 CHK: S.PARLOW 17AUG05  
 APVD: F.WHEELER-KING 17AUG05

TE Connectivity  
**BNC R/A INSULATED PCB SOCKET 75 OHM BLACK**

108-112000  
 APPLICATION SPEC

SIZE: A2 CAGE CODE: 00779 DRAWING NO: C=1634622 RESTRICTED TO: -

WEIGHT: - SCALE: NTS SHEET: 1 OF 1 REV: E1

CUSTOMER DRAWING