

**MODEL:** CMC-9745-37T | **DESCRIPTION:** ELECTRET CONDENSER MICROPHONE

**FEATURES**

- unidirectional
- high signal to noise ratio
- terminal mount


**SPECIFICATIONS**

parameter	conditions/description	min	typ	max	units
directivity	unidirectional				
sensitivity [S]	f = 1 kHz, 1 Pa, 0 dB = 1 V/Pa	-40	-37	-34	dB
standard operating voltage [Vs]			1.5		Vdc
max operating voltage				9	Vdc
output impedance [Zout]	f = 1 kHz, 1 Pa		2.2		kΩ
sensitivity reduction [ΔS-Vs]	f = 1 kHz, 1 Pa, Vs = 1.5 ~ 1.0 Vdc		-3		dB
frequency [f]		100		12,000	Hz
current consumption [IDSS]	Vs = 1.5 Vdc, RL = 2.0 kΩ			0.4	mA
signal to noise ratio [S/N]	f = 1 kHz, 1 Pa, A-weighted		69		dBa
dimensions	Ø9.7 x 4.5				mm
material	Al				
terminal	solder pads				
weight				0.8	g
operating temperature		-20		70	°C
storage temperature		-20		70	°C
RoHS	yes				

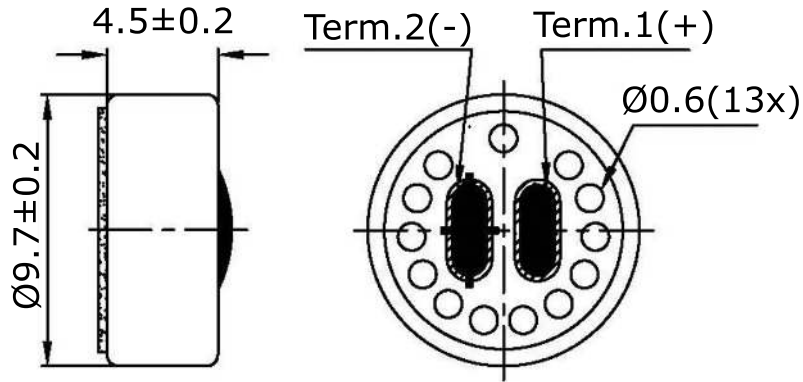
Notes: 1. We use the "Pascal [Pa]" indication of sensitivity as per the recommendation of I.E.C. (International Electrotechnical Commission). The sensitivity of "Pa" will increase 20 dB compared to the "ubar" indication. Example: -60 dB (0 dB = 1 V/ubar) = -40 dB (1 V/Pa)  
 2. All specifications measured at 5-35°C, humidity at 45-85%, under 86-106 kPa pressure, unless otherwise noted.

**SOLDERABILITY**

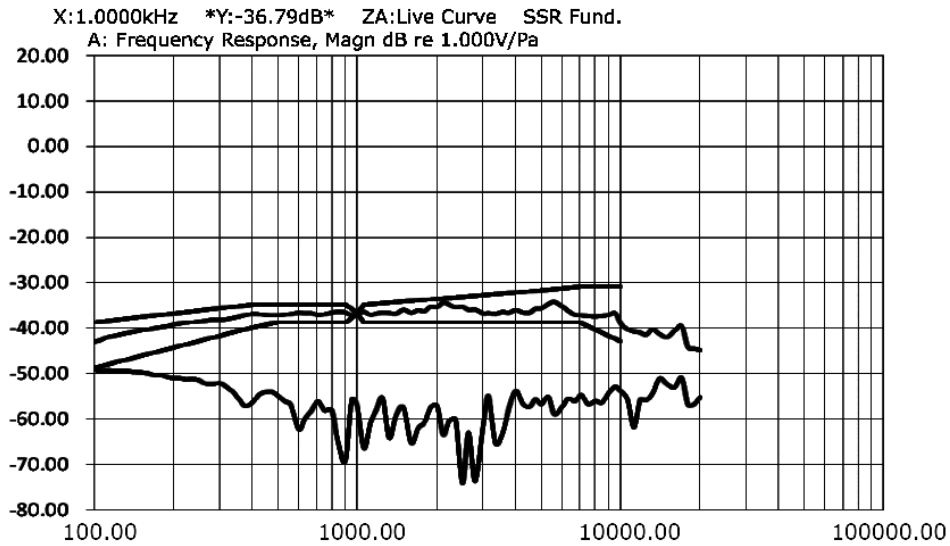
parameter	conditions/description	min	typ	max	units
hand soldering	for 2 ± 0.5 seconds	270	280	290	°C

## MECHANICAL DRAWING

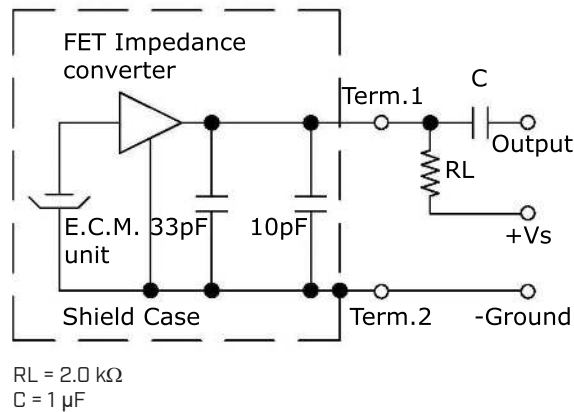
units: mm  
tolerance:  $\pm 0.2$  mm



## FREQUENCY RESPONSE CURVE



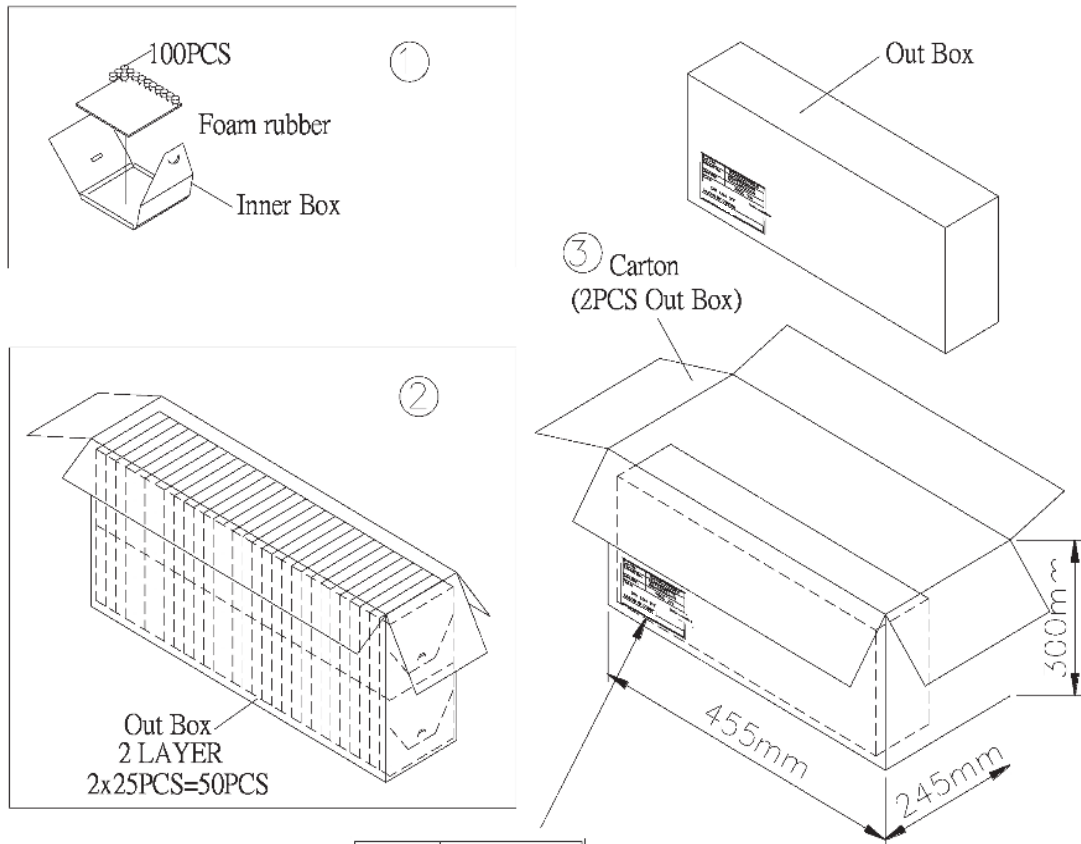
## MEASUREMENT CIRCUIT



## PACKAGING

units: mm

Inner Box Size: 100 x 100 x 15 mm  
 Outer Box Size: 435 x 120 x 280 mm  
 Carton Box Size: 455 x 245 x 300 mm  
 Inner Box QTY: 100 pcs per box  
 Outer Box QTY: 5,000 pcs per box  
 Carton Box QTY: 10,000 pcs per box



Lot No.	XXXXXXXXXX
Model No.	XXXXXXXXXX XXXXXXXXXX
Quantity.	XXXX Pcs
Date:	
DD MM YY	<b>RoHs Compliant</b>
MADE IN CHINA	

## REVISION HISTORY

rev.	description	date
1.0	initial release	11/07/2016
1.01	brand update	01/17/2020
1.02	logo, datasheet style update	08/05/2022

The revision history provided is for informational purposes only and is believed to be accurate.



CUI Devices offers a one (1) year limited warranty. Complete warranty information is listed on our website.

CUI Devices reserves the right to make changes to the product at any time without notice. Information provided by CUI Devices is believed to be accurate and reliable. However, no responsibility is assumed by CUI Devices for its use, nor for any infringements of patents or other rights of third parties which may result from its use.

CUI Devices products are not authorized or warranted for use as critical components in equipment that requires an extremely high level of reliability. A critical component is any component of a life support device or system whose failure to perform can be reasonably expected to cause the failure of the life support device or system, or to affect its safety or effectiveness.

[cuidevices.com](http://cuidevices.com)