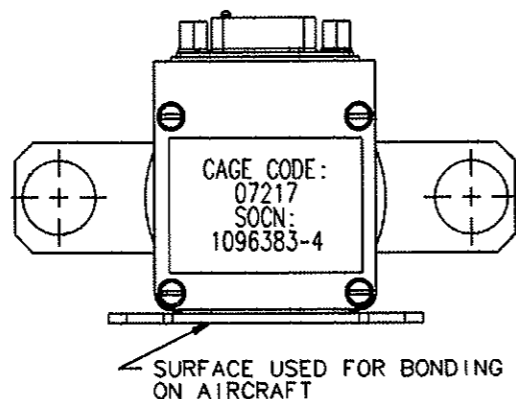
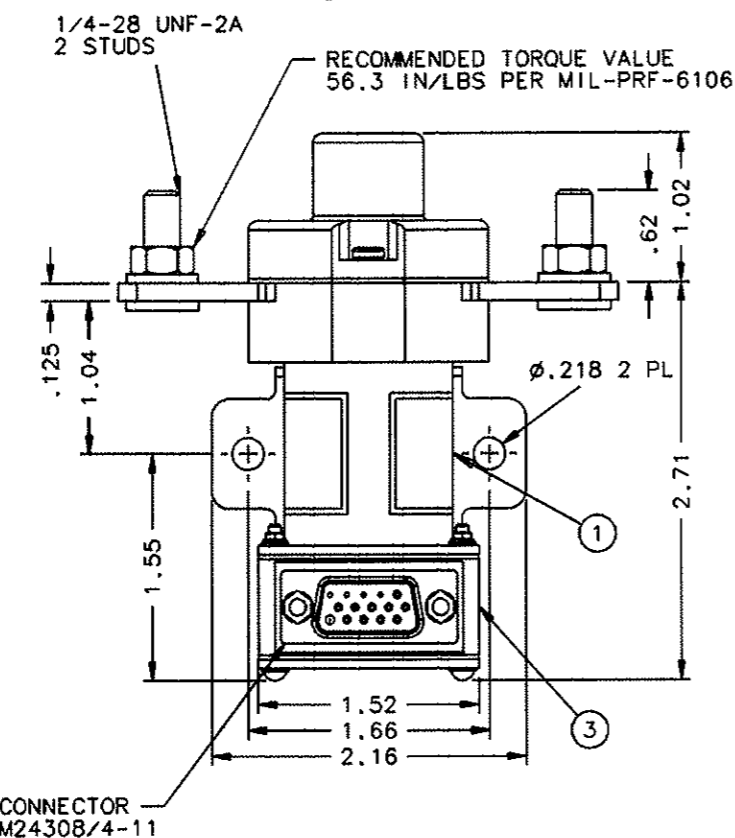
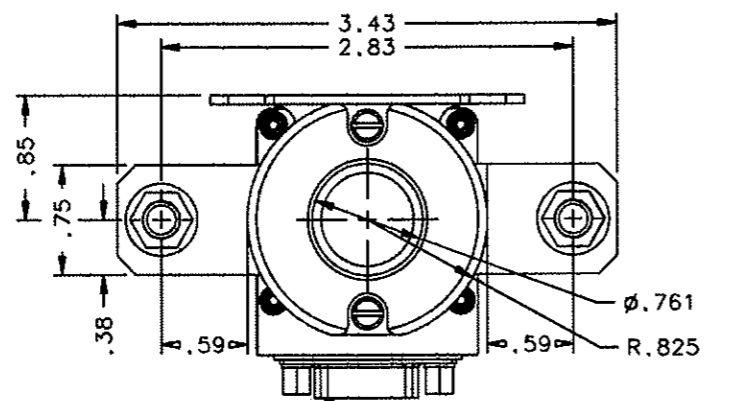


REVISIONS		RELEASED	
SYM	DESCRIPTION	DATE	APPROVED
A	46826 REMOVED PRELIMINARY DRAWING	02/02/26	CC
B	0040-03 QTY OF ITEM 4 WAS 1	03/01/13	CC
C	0568-04 REMOVED ITEM 4	04/07/06	CS



CONSTRUCTION  
MAIN CONTACTS  
CONFIGURATION  
VOLTAGE  
CURRENT  
RESISTIVE OVERLOAD  
INRUSH RUPTURE

AUXILIARY CONTACTS  
CONFIGURATION  
VOLTAGE  
CURRENT  
RESISTIVE INDUCTIVE LAMP  
LOW LEVEL

COIL DATA  
DUTY CYCLE  
MAX OPERATE VOLTAGE  
NOM OPERATE VOLTAGE  
MAX PICKUP VOLTAGE  
DROPOUT VOLTAGE  
COIL CURRENT  
INRUSH HOLD  
OPERATE TIME  
RELEASE TIME  
BOUNCE TIME

ENVIRONMENTAL DATA  
TEMPERATURE  
ALTITUDE

LIFE ELECTRICAL  
LIFE MECHANICAL  
WEIGHT MAX EST.

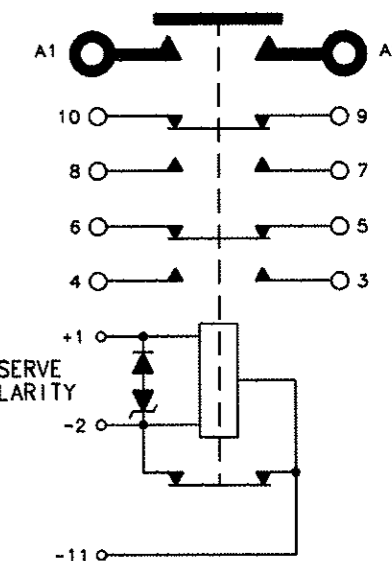
GASKET SEALED  
SPST N.O. (DOUBLE BREAK)  
28 VDC  
300 AMPS  
450 AMPS FOR 5 MIN.  
1000 AMPS FOR 10 SEC.  
1500 AMPS  
3000 AMPS

2 N.O., 2 N.C.  
28 VDC  
5 AMPS  
2 AMPS  
1 AMP  
1 mA AT 28 VDC

CONTINUOUS (ECONOMIZED)  
32 VDC  
28 VDC  
13 VDC AT 20°C (FIRST APPLICATION)  
16 VDC AT 85°C  
9 VDC MAX  
8 AMP MAX AT 32 VDC AND -40°C  
650 mA MAX AT 32 VDC AND 25°C  
35 mSEC MAX AT 18 TO 32 VDC  
20 mSEC MAX AT 28 VDC  
5 mSEC MAX AT 18 TO 32 VDC

-55°C TO 85°C  
50,000 FEET

50,000 CYCLES MIN.  
100,000 CYCLES MIN.  
.77 LBS.



NOTES:

1. COIL TRANSIENT VOLTAGE LIMITED TO ±42 VOLTS REFERENCED TO ZERO VOLTS.
2. AUXILIARY CONTACTS ARE GOLD PLATED.
3. 1 MILLIAMPERE RATING DOES NOT APPLY IF CONTACTS HAVE SWITCHED LOADS ABOVE 1 MILLIAMPERE.
4. CONNECTION -11 IS PROVIDED TO ENSURE OPTIMUM PERFORMANCE DURING STARTING. WHEN USED AS A START CONTACTOR, POSITIVE VOLTAGE IS APPLIED TO CONNECTION +1, AND NEGATIVE TO CONNECTION -11. FOR CONTINUOUS DUTY OPERATION, POSITIVE VOLTAGE IS APPLIED TO CONNECTION +1, AND NEGATIVE TO CONNECTION -2.
5. IF CONNECTION -11 IS USED, THE COILS DUTY CYCLE IS INTERMITTENT.
6. THIS CONTACTOR IS DESIGNED TO HONEYWELL DRAWING NO. 1152620 AND HONEYWELL TECHNICAL SPEC NO. 99E0018
7. USE STAMP 57225-001 AT FINAL INSPECTION

QTY	PART OR IDENTIFYING NO	NOMENCLATURE OR DESCRIPTION	CAGE NO	DRAWING OR SPECIFICATION	MATERIAL OR NOTE
6	2	51807-034		WASHER - LOCK NO. 1/4 SPLIT TYP.	BRONZE
5	2	50407-074		NUT 1/4-28 X 3/8 X 3/16 HEX	BRASS
4					
3	1	44898-060		CONTACTOR ASSEMBLY - PRIMARY	
2	1	44900-003		PLATE - SCHEMATIC DIAGRAM	
1	1	44899-007		PLATE - NAME	

UNLESS OTHERWISE SPECIFIED DIMENSIONS ARE IN INCHES TOLERANCES ON			
2 PL DEC. 3 PL DEC. ANGLES		DR BY CSC 03/01/20 CHK BY CC 03/01/23 ENGR RSS 03/01/23 MFG MH 03/01/23	
±.06	±.010	SIZE	CODE IDENT
		C	74063
MATERIAL		SCALE NONE SHEET	
		REF TYCO P/N 0-1616068-4	

Hartman Division - 125 N. DIAMOND STREET - MANSFIELD, OHIO 44902  
**CONTACTOR - SPST N.O. DB**  
**300 AMP, 28 VDC**  
 093  
 DWG NO. K-300A5C-6