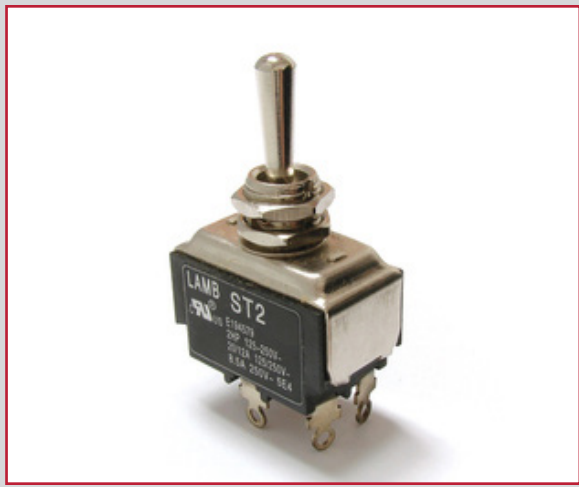


ST2 SERIES TOGGLE SWITCH

ANTI-VANDAL SWITCHES
DETECTOR SWITCHES
DIP SWITCHES
KEYLOCK SWITCHES
NAVIGATION SWITCHES
PUSHBUTTON SWITCHES
ROCKER SWITCHES
ROTARY SWITCHES
SLIDE SWITCHES
SNAP ACTION SWITCHES
TACTILE SWITCHES
TOGGLE SWITCHES
CAP OPTIONS



APPLICATIONS / MARKETS



Floor Care Appliances



Commercial Appliances



Industrial Controls



Medical / Dental



HVAC



Vending Machines

RoHS

SPECIFICATIONS

Rating: Maintained Switches: 20A 125VAC [cULus]
15A 277VAC [cULus]
2.0HP 125-277VAC [cULus]
Momentary Switches: 20A 125VAC [cULus]
15A 277VAC [cULus]
1.5HP 125-277VAC [cULus]

Electrical Life: 6,000 cycles
Contact Resistance: 50mΩ Max.
Insulation Resistance: 2MΩ Min. at 500VDC for 1 Minute
Dielectric Strength: 1,000VAC for 1 Minute
Operating Temperature: 0°C to 85°C
Mounting Nut Torque: 0.6Nm~1.0Nm

FEATURES & BENEFITS

- Heavy duty rating with UL approvals
- Many functions available
- Tab, screw, and solder terminal options
- Soldered wire leads (500mm long) optional

PART NUMBER CONFIGURATOR

Series



ST2 - 2 Pole

Terminal



1 - 4.8mm Tabs
2 - Solder
4 - 6.3mm Tabs
6 - Screw
W - Wire Leads
500mm long

Function



2 - 2 Pole Off - On
G - 2 Pole On - On
E - 2 Pole Off - (On)
6 - 2 Pole
On - Off - On
J - 2 Pole
On - Off - (On)
K - 2 Pole
(On) - Off - (On)

Rating



D - 20A 125VAC

Actuator Type



0 - Standard Bat

Bushing Type



0 - M12 x 1.0
2 - 15/32" - 32UNS

NOTES:

() = Denotes function is momentary

Specifications subject to change without notice 2.16.2022



E-SWITCH®

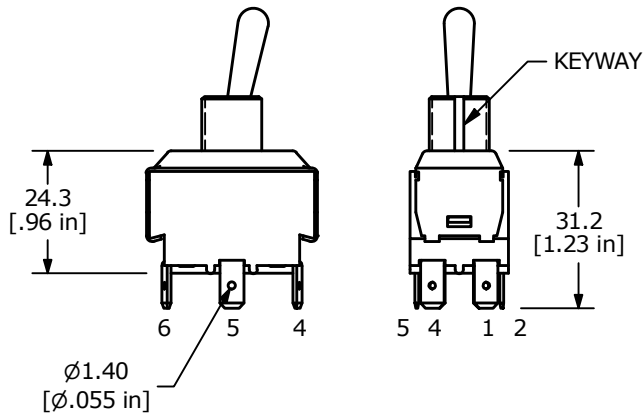
www.e-switch.com

800.867.2717

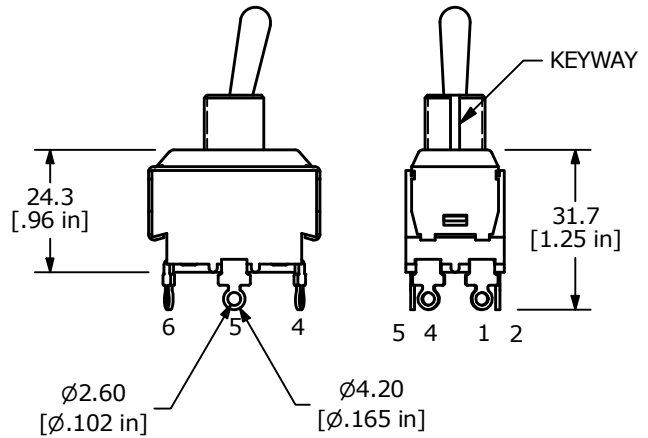
1

ST2 SERIES TOGGLE SWITCH

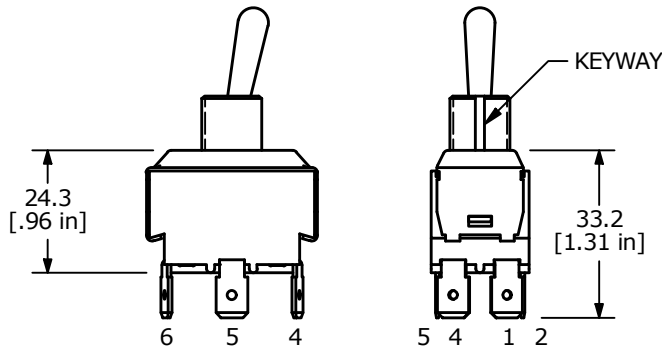
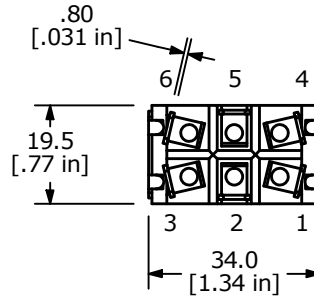
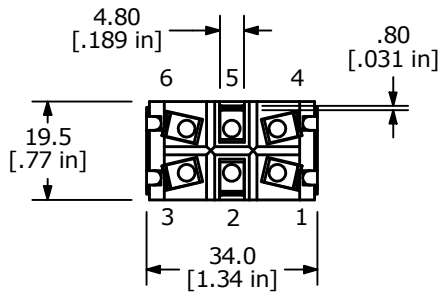
TERMINAL OPTIONS



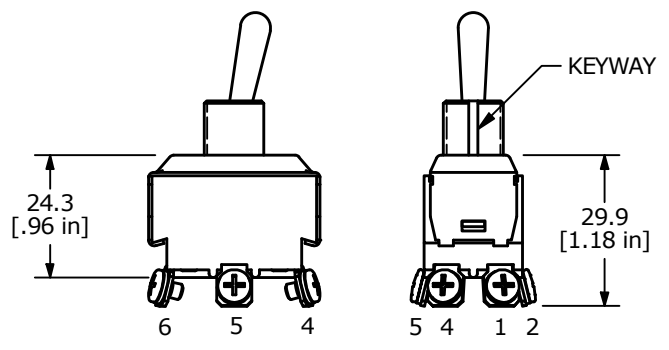
1 = 4.8mm TABS



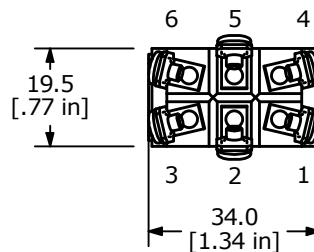
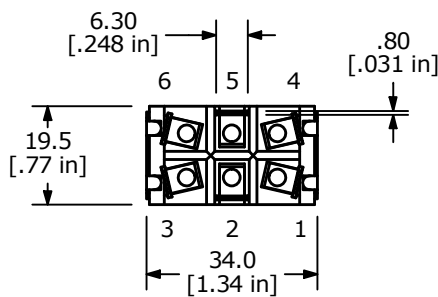
2 = SOLDER



4 = 6.3mm TABS



6 = SCREW



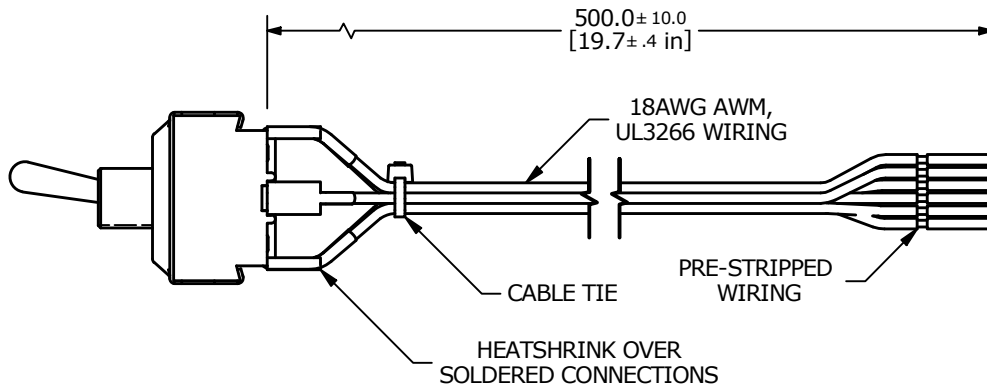
ANTI-VANDAL SWITCHES
 DETECTOR SWITCHES
 DIP SWITCHES
 KEYLOCK SWITCHES
 NAVIGATION SWITCHES
 PUSHBUTTON SWITCHES
 ROCKER SWITCHES
 ROTARY SWITCHES
 SLIDE SWITCHES
 SNAP ACTION SWITCHES
 TACTILE SWITCHES
 TOGGLE SWITCHES
 CAP OPTIONS

ST2 SERIES TOGGLE SWITCH

TERMINAL OPTIONS (CONTINUED)

SWITCH	WIRE	LENGTH
SW1-1	WIRE, 18AWG AWM UL3266, GREEN	500.0 [19.7 in]
SW1-2	WIRE, 18AWG AWM UL3266, PINK	500.0 [19.7 in]
SW1-3	WIRE, 18AWG AWM UL3266, YELLOW	500.0 [19.7 in]
SW1-4	WIRE, 18AWG AWM UL3266, BLUE	500.0 [19.7 in]
SW1-5	WIRE, 18AWG AWM UL3266, WHITE	500.0 [19.7 in]
SW1-6	WIRE, 18AWG AWM UL3266, ORANGE	500.0 [19.7 in]

** WIRE LEADS PROVIDED ARE DEPENDANT ON THE FUNCTION SELECTED **



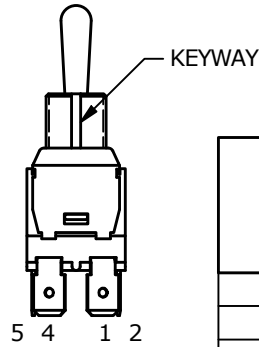
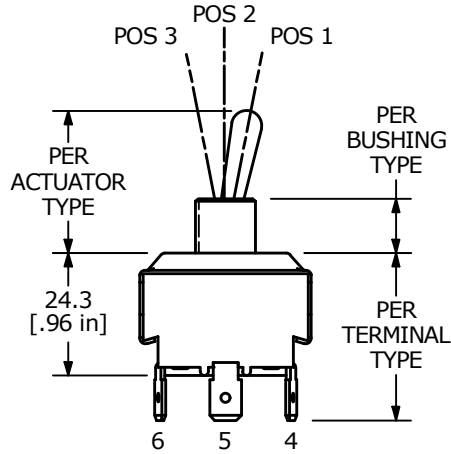
W = WIRED LEADS 500mm

- ANTI-VANDAL SWITCHES
- DETECTOR SWITCHES
- DIP SWITCHES
- KEYLOCK SWITCHES
- NAVIGATION SWITCHES
- PUSHBUTTON SWITCHES
- ROCKER SWITCHES
- ROTARY SWITCHES
- SLIDE SWITCHES
- SNAP ACTION SWITCHES
- TACTILE SWITCHES
- TOGGLE SWITCHES**
- CAP OPTIONS



ST2 SERIES TOGGLE SWITCH

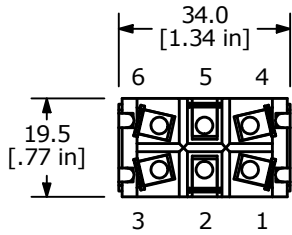
FUNCTION OPTIONS



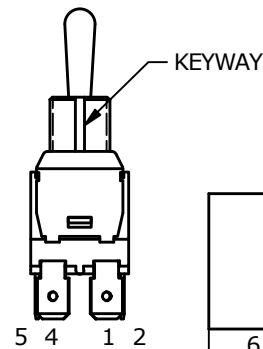
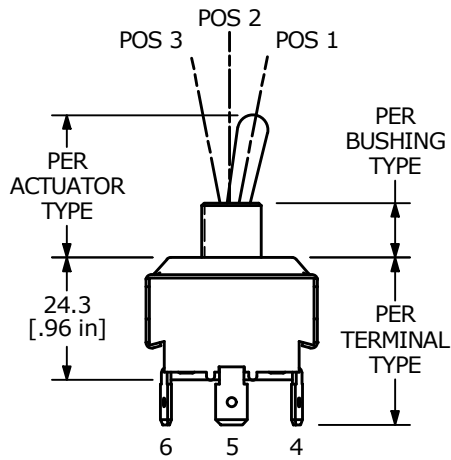
FUNCTIONS: 2, G, & E

FUNCTION	POS. 1	POS. 2	POS. 3
2 - OFF - ON	OFF	N/A	ON
G - ON - ON	ON	N/A	ON
E - OFF - (ON)	(ON)	N/A	N/A
TERMINAL CLOSURES	2 & E = 1-2, 4-5 G = 2-3, 5-6	N/A	1-2, 4-5

() = DENOTES MOMENTARY



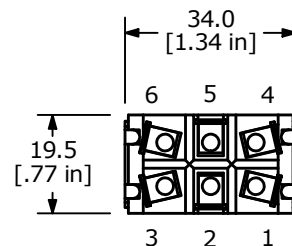
TERMINALS 3 AND 6 ONLY WITH FUNCTION G



FUNCTIONS: 6, J, & K

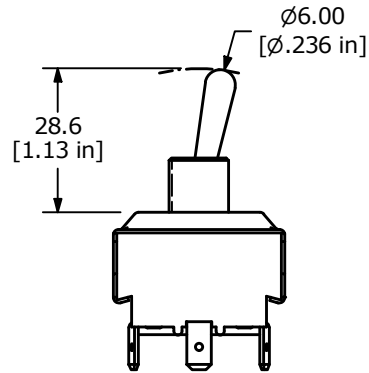
FUNCTION	POS. 1	POS. 2	POS. 3
6 - ON - OFF - ON	ON	OFF	ON
J - ON - OFF - (ON)	ON	OFF	(ON)
K - (ON) - OFF - (ON)	(ON)	OFF	(ON)
TERMINAL CLOSURES	2-3, 5-6	OPEN	1-2, 4-5

() = DENOTES MOMENTARY



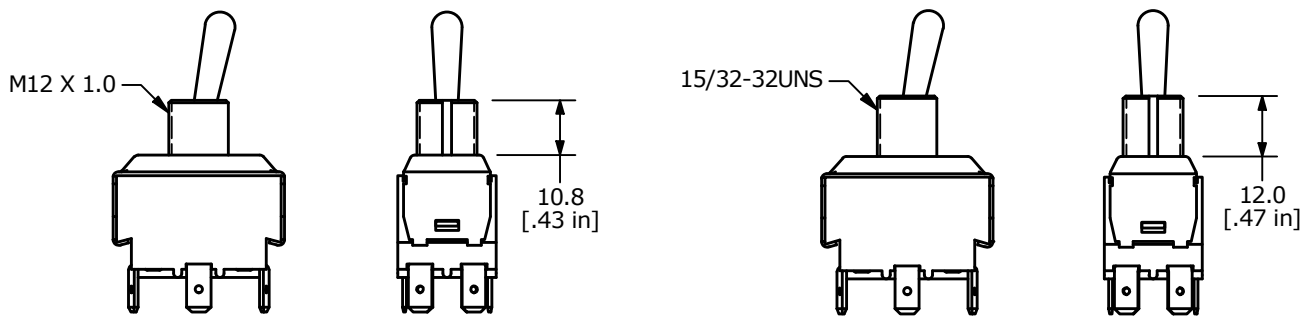
ST2 SERIES TOGGLE SWITCH

ACTUATOR OPTIONS



0 = STANDARD BAT

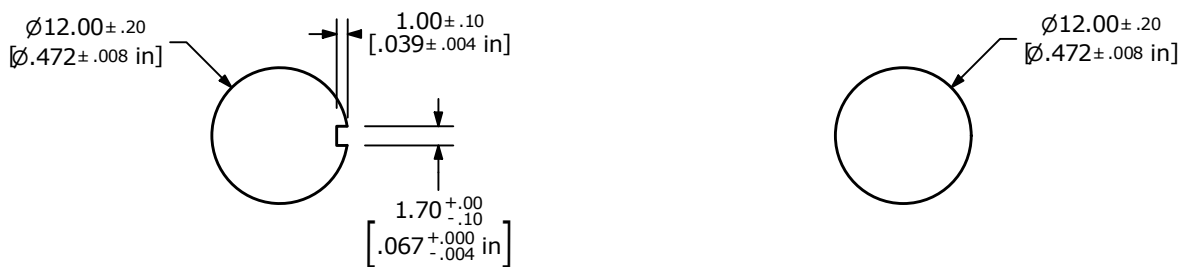
BUSHING OPTIONS



0 = M12 X 1.0

2 = 15/32"-32UNS

PANEL CUTOUT OPTIONS



RECOMMENDED PANEL CUTOUT

ALTERNATE PANEL CUTOUT

