

This document is the property of Amphenol Corporation and is delivered on the express condition that it is not to be disclosed, reproduced or used, in whole or in part, for manufacture or sale by anyone other than Amphenol Corporation without its prior consent, and that no right is granted to disclose or to use any information in this document.

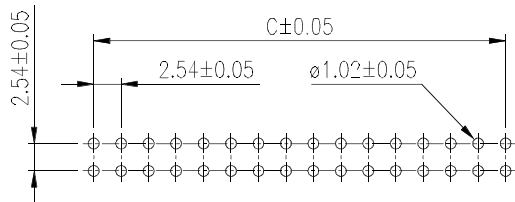
The marking on this product doesn't contain environmental hazardous materials per Material Specification SS-00259 for Sony GP compliant or per directive 2011/65/EU for RoHS compliant.



ORIGINAL



REVISIONS				
SYM	ECN No.	DESCRIPTION	DATE	APPROVED
A		RELEASE FOR RoHS	07/28/2006	Armstrong Kod
B	NE-10172	MODIFIED DRAWING	10/25/2010	Arron Lin
C	NE-13035	ADDED PINS	03/15/20213	Roger Tsai
D	NE-15085	ADDED PACKAGING	07/24/2015	Roger Tsai
E	NE-15115	ADDED POS.10 PACKAGING	09/15/2015	Roger Tsai



RECOMMENDED PCB LAYOUT

NOTES:

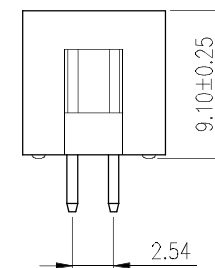
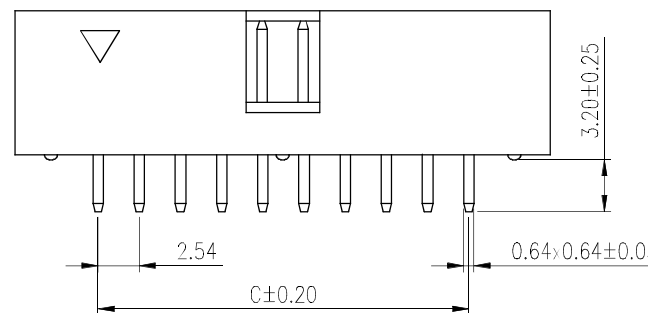
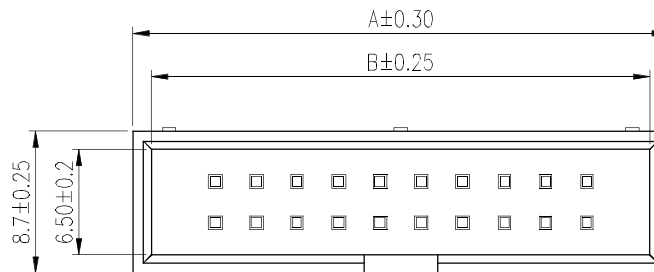
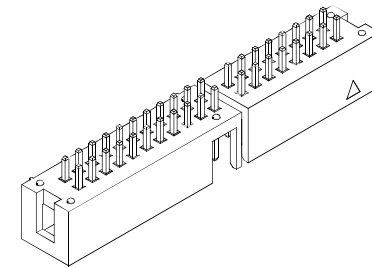
- INSULATOR: NYLON 6T, UL 94V-0, COLOR- OPTIONAL
- CONTACT: BRASS, SELECTIVE GOLD PLATING ON CONTACT AREA, GOLD FLASH OR 100u" MATTE TIN PLATING ON SOLDERING AREA, UNDER 50u" NICKEL PLATING OVERALL.
- THIS PRODUCT DOESN'T CONTAIN ENVIRONMENTAL HAZARDOUS MATERIALS PER DIRECTIVE 2011/65/EU FOR RoHS.
- THE PRODUCT MUST BE FOR DIP PROCESS ONLY

PART NO. G821EU X XX XX M00Y

COLOR  
2: BLACK

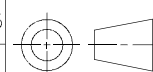
NO. OF POSITIONS

CONTACT FINISH  
AF: 15u" GOLD  
AM: 30u" GOLD  
AG: FULL GOLD FLASH  
AK: FULL GOLD FLASH (FOR INVENTEC ONLY)



G821 EU X 64 XX M00Y	64	88.90	86.60	78.74
G821 EU X 60 XX M00Y	60	83.82	81.52	73.66
G821 EU X 50 XX M00Y	50	71.12	68.82	60.96
G821 EU X 44 XX M00Y	44	63.50	61.20	53.34
G821 EU X 40 XX M00Y	40	58.42	56.12	48.26
G821 EU X 34 XX M00Y	34	50.80	48.50	40.64
G821 EU X 32 XX M00Y	32	48.26	45.96	38.10
G821 EU X 30 XX M00Y	30	45.72	43.42	35.56
G821 EU X 26 XX M00Y	26	40.64	38.34	30.48
G821 EU X 24 XX M00Y	24	38.10	35.80	27.94
G821 EU X 20 XX M00Y	20	33.02	30.72	22.86
G821 EU X 16 XX M00Y	16	27.94	25.64	17.78
G821 EU X 14 XX M00Y	14	25.40	23.10	15.24
G821 EU X 12 XX M00Y	12	22.86	20.56	12.70
G821 EU X 10 XX M00Y	10	20.32	18.02	10.16
G821 EU X 08 XX M00Y	8	17.78	15.48	7.62
G821 EU X 06 XX M00Y	6	15.24	12.94	5.08
PART NUMBER	NO. OF POS.	DIM. A	DIM. B	DIM. C

TOLERANCE	APPROVALS	DATE	TITLE		Amphenol®	
X. ±0.30	DRAWN Aqua Chou	09/15/2015	G821 SERIES BOX HEADER 2.54x2.54 PITCH STRAIGHT PCB MOUNT		Amphenol Corporation Amphenol Taiwan Corporation	
X.X ±0.20	CHECKED Roger Tsai	09/15/2015				
X.XX ±0.10	APPROVED Roger Tsai	09/15/2015				
ANGULAR ±1°	DWG TYPE CUST DWG	PROJECT CODE BHD	UNIT mm	SIZE A3	PART No. G821EUXXXXXM00Y	
UNLESS OTHERWISE SPECIFIED			SCALE NA	SHEET 1 OF 2	DWG No. G821EUXXXXXM00Y	REV. E



This document is the property of Amphenol Corporation and is delivered on the express condition that it is not to be disclosed, reproduced or used, in whole or in part, for manufacture or sale by anyone other than Amphenol Corporation without its prior consent, and that no right is granted to disclose or to use any information in this document.

The marking on this product doesn't contain environmental hazardous materials per Material Specification SS-00259 for Sony GP compliant or per directive 2011/65/EU for RoHS compliant.



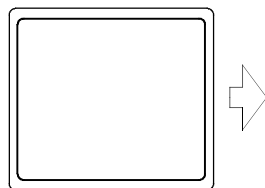
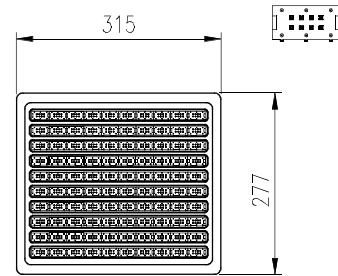
ORIGINAL



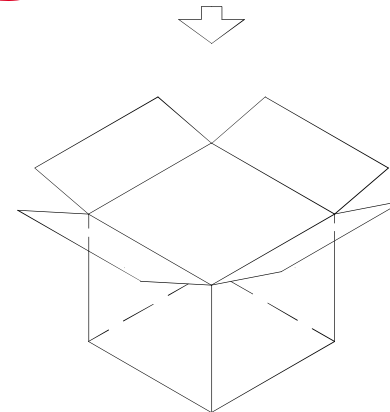
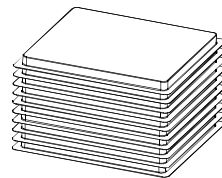
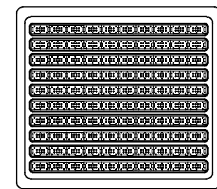
REVISIONS					
SYM	ECN No.	DESCRIPTION	DATE	APPROVED	
A		RELEASE FOR RoHS	07/28/2006	Armstrong Koo	
B	NE-10172	MODIFIED DRAWING	10/25/2010	Arron Lin	
C	NE-13035	ADDED PINS	03/15/20213	Roger Tsai	
D	NE-15085	ADDED PACKAGING	07/24/2015	Roger Tsai	
E	NE-15115	ADDED POS.10 PACKAGING	09/15/2015	Roger Tsai	

A  
B  
C  
D  
E  
F

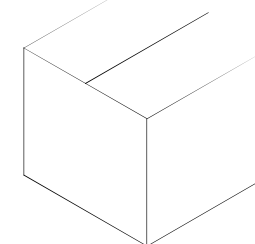
A  
B  
C  
D  
E  
F



COVER



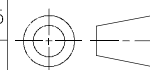
INNER BOX



SHIPPING BOX

2*5=10	260	8	2080	3.2	4.8
2*4=8	300	8	2400	2.8	3.8
NO. OF POSITION	PCS/TRAY	TRAY/ INNER BOX	PCS/ SHIPPING BOX	N.W. KGf/ SHIPPING BOX	G.W. KGf/ SHIPPING BOX

TOLERANCE	APPROVALS	DATE	TITLE			Amphenol®		
X. X.X ±0.30 X.XX ±0.20 X.XXX ±0.10	DRAWN Aqua Chou	09/15/2015	G821 SERIES BOX HEADER 2.54x2.54 PITCH STRAIGHT PCB MOUNT			Amphenol Corporation Amphenol Taiwan Corporation		
	CHECKED Roger Tsai	09/15/2015						
	APPROVED Roger Tsai	09/15/2015						
ANGULAR ±1°	DWG TYPE CUST DWG	PROJECT CODE BHD	UNIT mm	SCALE NA	SIZE A3	PART No. G821EUXXXXXM00Y		
UNLESS OTHERWISE SPECIFIED			SCALE NA	SHEET 2 OF 2	DWG No. G821EUXXXXXM00Y		REV. E	



1 2 3 4 5 6 7 8