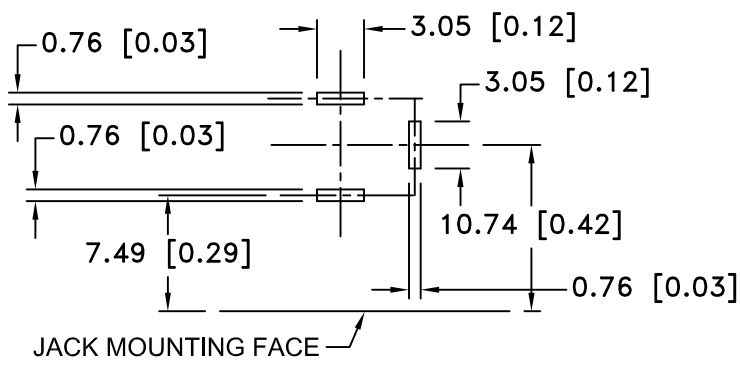
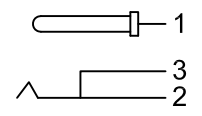


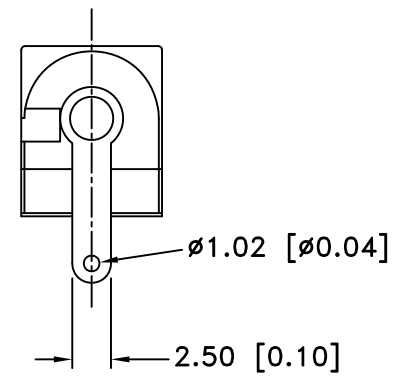
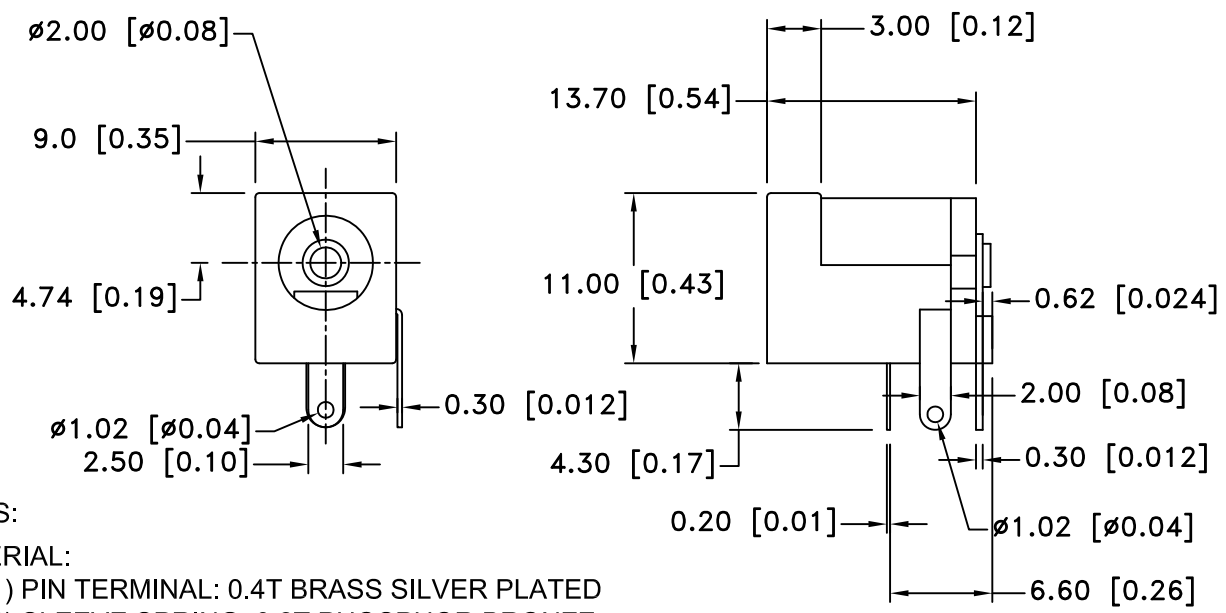
Date	SYM	REVISION RECORD	AUTH	DR.	CK.
3/07/14	A	UPDATED TO ROHS 2 COMPLIANT	T.B.	B.S.	
07/14/16	B	UPDATED LEFT SIDE VIEW	T.B.	B.S.	




PCB LAYOUT



SCHEMATIC



- NOTES:
- MATERIAL:
- 1) PIN TERMINAL: 0.4T BRASS SILVER PLATED
 - 2) SLEEVE SPRING: 0.2T PHOSPHOR BRONZE
 - 3) BREAK TERMINAL: 0.3T BRASS
 - 4) PIN ($\phi 2.0$): COPPER
 - 5) HOUSING: PBT
 - 6) COVER: PBT
- ELECTRICAL SPECS:
1. LIFE: 10,000 INSERTION/WITHDRAWAL CYCLE MINIMUM
 2. CONTACT RESISTANCE: 50m Ω MAXIMUM
 3. INSULATION RESISTANCE: 1000m Ω MINIMUM
 4. DIELECTRIC WITHSTANDING VOLTAGE: 500AC MAXIMUM
 5. MAXIMUM RATING: 5A, 12V DC
 6. TEMPERATURE RATING: -15°C TO 90°C
- ROHS 2 COMPLIANT

Tolerance (Except as noted)	 Memory Protection Devices, Inc 200 Broad Hollow Road, Farmingdale, New York 11735	Scale	Drawn By B.S.
			Approved By T.B.
decimal $\pm .5$ (.020)	Title DC JACK - PCB MOUNTING 2.1 I.D. x 5.5 O.D.		
Fractional $\pm .8$ (.030)		Date 07/14/16	Drawing Number EJ503A
Angular $\pm 3^\circ$			