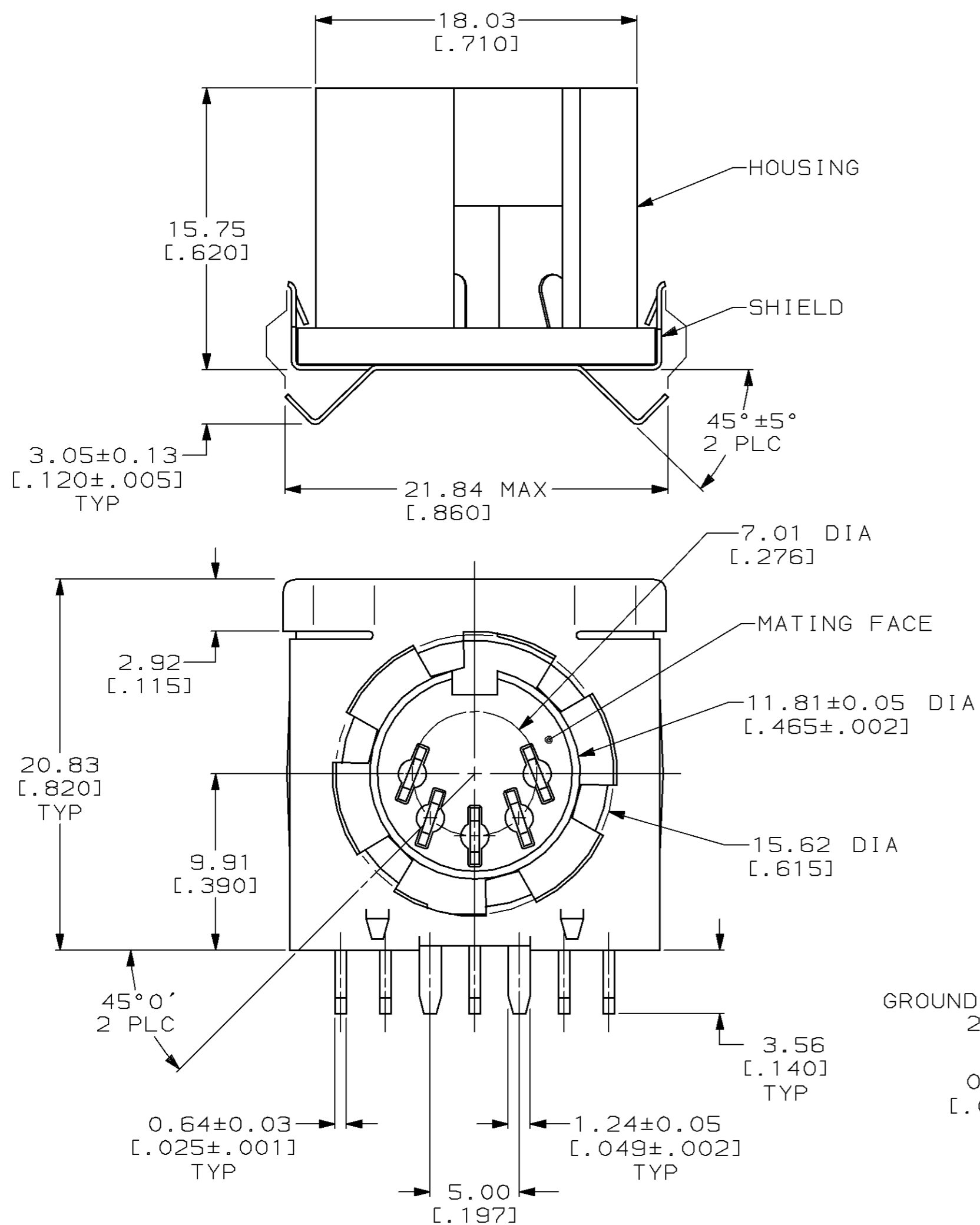
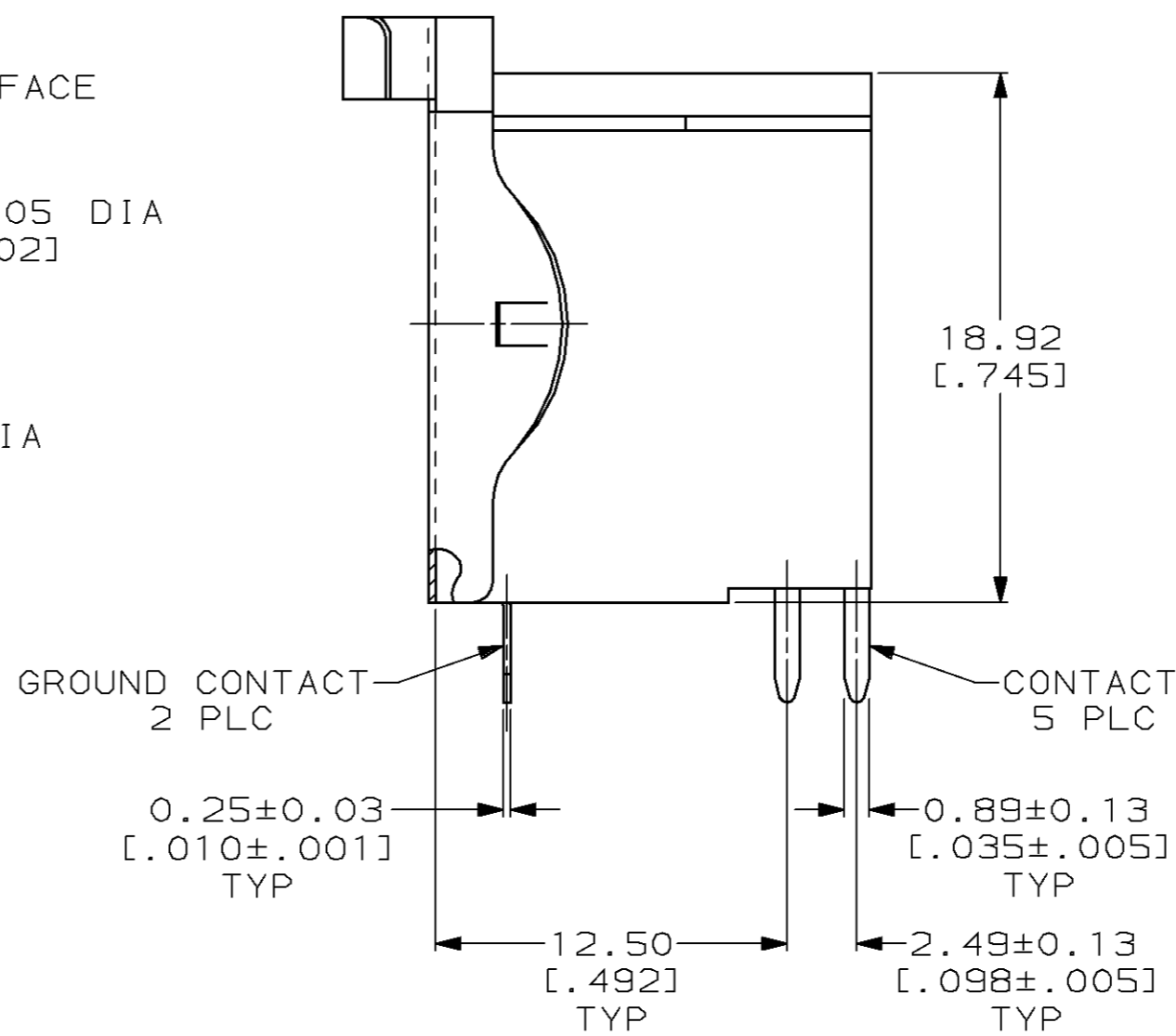


THIS DRAWING IS UNPUBLISHED. RELEASED FOR PUBLICATION, 19 .
 © COPYRIGHT 19 BY AMP INCORPORATED. ALL INTERNATIONAL RIGHTS RESERVED.

| LOC | DIST | P | F | REVISIONS | | | | |
|-----|------|---|---|-----------|-----|--------------------------------|----------|------|
| | | | | ZONE | LTR | DESCRIPTION | DATE | APPD |
| BD | 20 | | | 0 | | RLSE NPR 3132, WAS 89-4905-3-1 | 09/24/90 | - |
| | | | | A | | REV PER EC0020-1394-93 | 12/20/93 | SK |



- 1 NYLON, UL 94V-0 RATED, BLACK.
- 2 2.54µm [.000100] MIN TIN-LEAD OVER 1.27µm [.000050] MIN NICKEL.
- 3 2.54µm [.000100] MIN TIN OVER 1.27µm [.000050] MIN NICKEL.
- 4 RECEPTACLE ASSEMBLY MATES WITH 5 POSN PLUG ASSEMBLY, P/N 212437-3.
- 5 MATING FACE CONFORMS TO DIN SPEC 41524.



METRIC

| | | | |
|---|--------------------|--|-----------------|
| | | 750477-1 | |
| | | PART NO | |
| DO NOT SCALE PRINT. UNLESS SPECIFIED DIMENSIONS IN mm [INCHES] TOLERANCES ON: 2 PLC DEC ± 0.25 [.010] 3 PLC DEC ± - ANGLES ± 0°30' | | DR 09/24/90 S. WELDON | |
| MATERIAL HOUSING: 1 SHIELD & CONTACTS: BRASS | | CHK 10/02/93 R. STONE | |
| FINISH CONTACTS: 2 SHIELD: 3 | | APPD 10/02/93 R. WHYNE | |
| | | APPD 10/03/93 J. FULPONI | |
| | | PRODUCT SPEC 108-10047 | |
| | | APPLICATION SPEC 114-40025 | |
| | | WEIGHT - | |
| | | AMP AMP Incorporated Harrisburg, PA 17105-3608 | |
| | | NAME RECEPTACLE ASSEMBLY, 5 POSN, RIGHT ANGLE, W/ FRONT PANEL GROUNDING FINGERS, CIRCULAR DIN | |
| SIZE C | CAGE CODE 00779 | DRAWING NO 750477 | |
| SCALE 4:1 | | | SHEET 1 OF 1 |