

THIS DRAWING IS UNPUBLISHED.

RELEASED FOR PUBLICATION

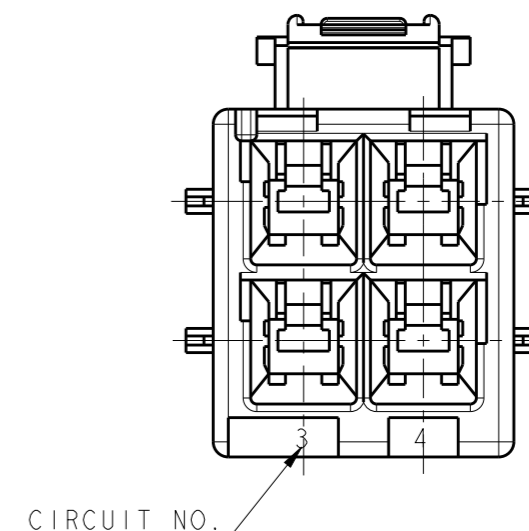
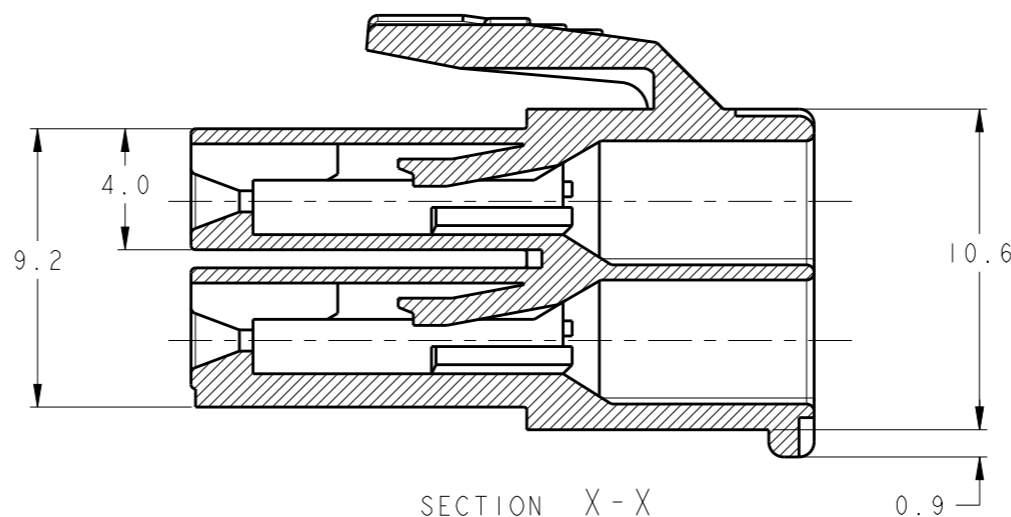
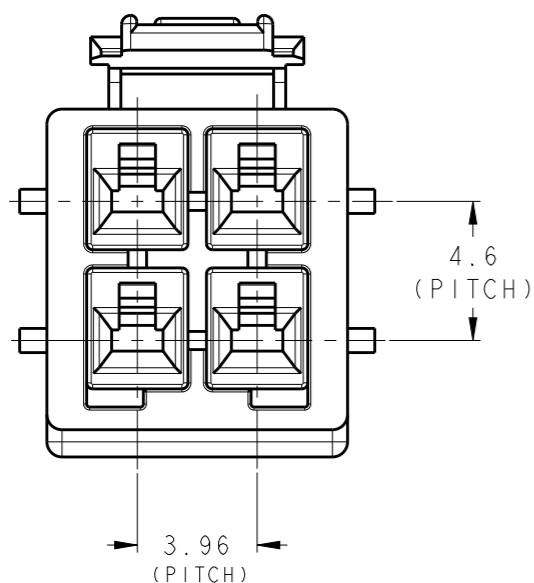
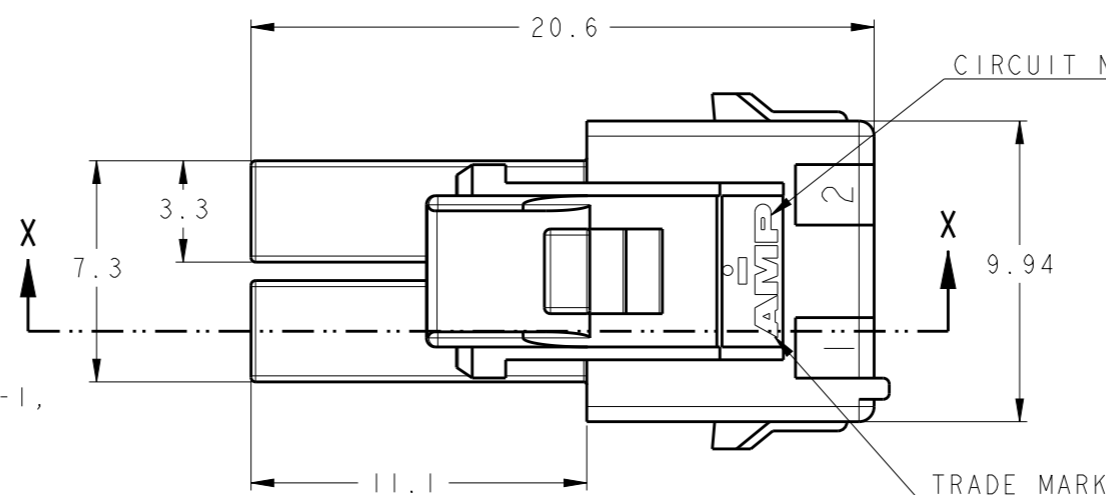
20

© COPYRIGHT 20 BY - ALL RIGHTS RESERVED.

REVISIONS

P	LTR	DESCRIPTION	DATE	DWN	APVD
C	I	REVISED PER ECR-09-011788	25MAY'09	SC	JK
D		REVISED PER ECR-19-009721	01JUL2019	MG	DZ

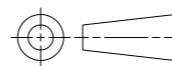
- NOTE;
- THIS HOUSING ACCEPTS RECEPTACLE TERMINAL:
 - REC CONTACT: 177915-□ (AWG#16-#20)
 - : 177914-□ (AWG#22-#26)
 - MATING CONN. P/N
 - CAP HSG: □-368587-□ (FREE HANGING)
 - 368589-□ (PANEL MOUNT)
 - TAB CONTACT: 177917-□ (AWG#16-#20)
 - 177916-□ (AWG#22-#26)
 - PC BOARD MOUNT: 179840-□
 - APPLICABLE DOUBLE LOCK PLATE:
 - 177918-1(V-0) OR □-368590-1(V-2,GWT)
 - *IT SHOULD BE USED CERTAINLY WHEN CABLE ASS'Y
 - GENERAL TOLERANCES: ±0.3
 - MATERIAL:
 - ALL PARTS COMPLY WITH GLOW WIRE REQUIREMENT FOR PARTS OF NON-METALLIC MATERIALS SUPPORTING A CURRENT-CARRYING CONNECTION DETAILED IN IEC 60335-1, SECTION 30(GWT)



1-368575-6	PA66 UL94V-0	BLUE
1-368575-4		YELLOW
1-368575-2		RED
1-368575-1		NATURAL
368575-6	PA66 UL94V-2	BLUE
368575-4		YELLOW
368575-2		RED
368575-1		NATURAL
P/N	MATERIAL	COLOR

THIS DRAWING IS A CONTROLLED DOCUMENT.

DIMENSIONS:
mm



MATERIAL
SEE TABLE

TOLERANCES UNLESS OTHERWISE SPECIFIED:

- 0 PLC ±
- 1 PLC ±
- 2 PLC ±
- 3 PLC ±
- 4 PLC ±
- ANGLES ±
- FINISH -

DWN
SC KIM
CHK
BW KANG
APVD
JK SONG

PRODUCT SPEC
108-5410
APPLICATION SPEC
114-5175
WEIGHT -

CUSTOMER DRAWING



NAME
PDL 4P PLUG 3.96mm, DR (GWT)

SIZE	CAGE CODE	DRAWING NO	RESTRICTED TO
A3	00779	C-368575	-

SCALE 4:1 SHEET 1 OF 1 REV D