

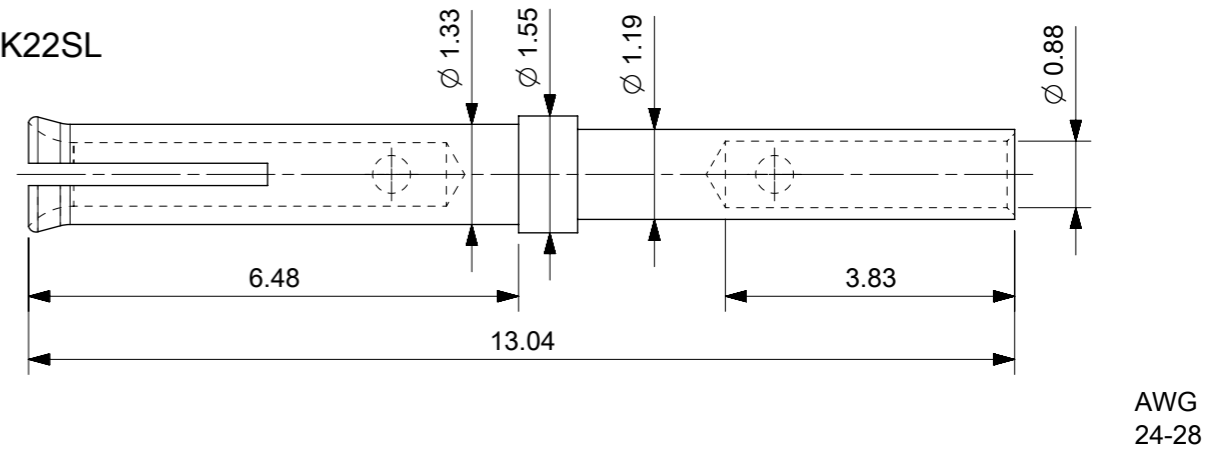
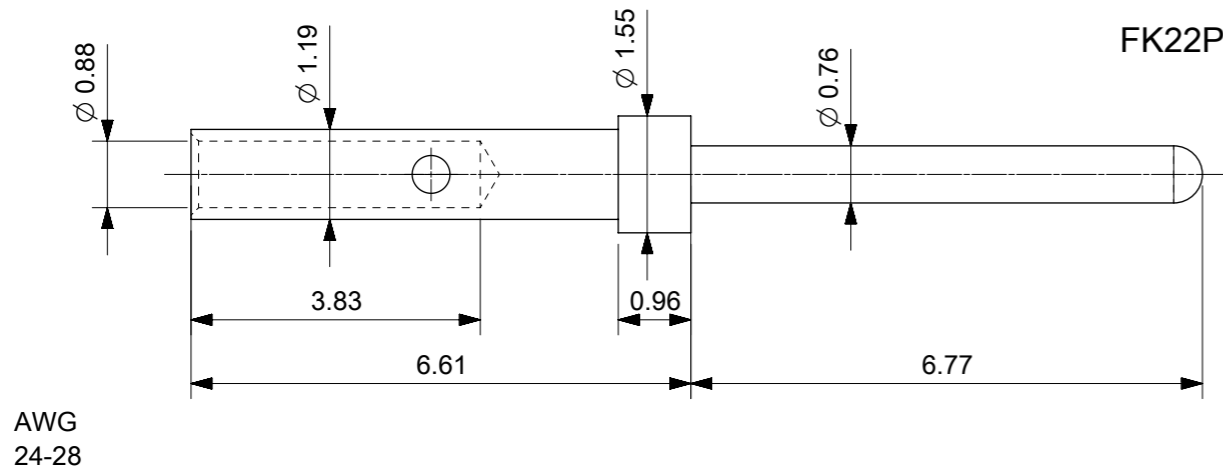
RoHS COMPLIANT BY EXEMPTION

PIN MATERIAL: BRASS

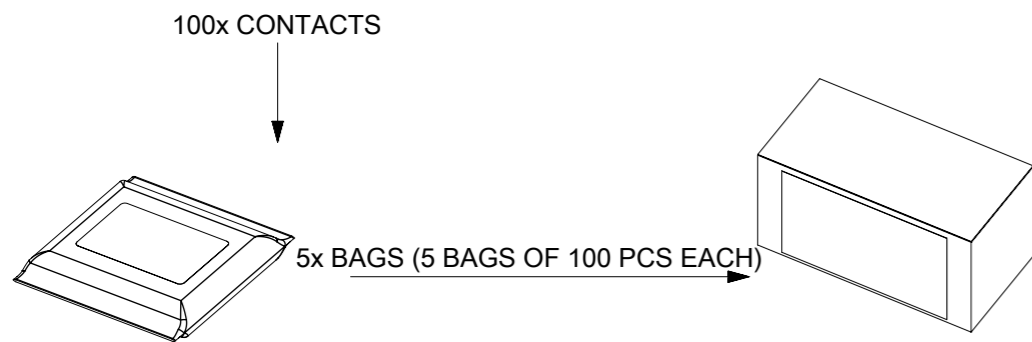
SOCKET MATERIAL: COPPER ALLOY

FK22P

FK22SL



PACKING UNIT



CRIMPING TOOLS SEE CATALOGUE

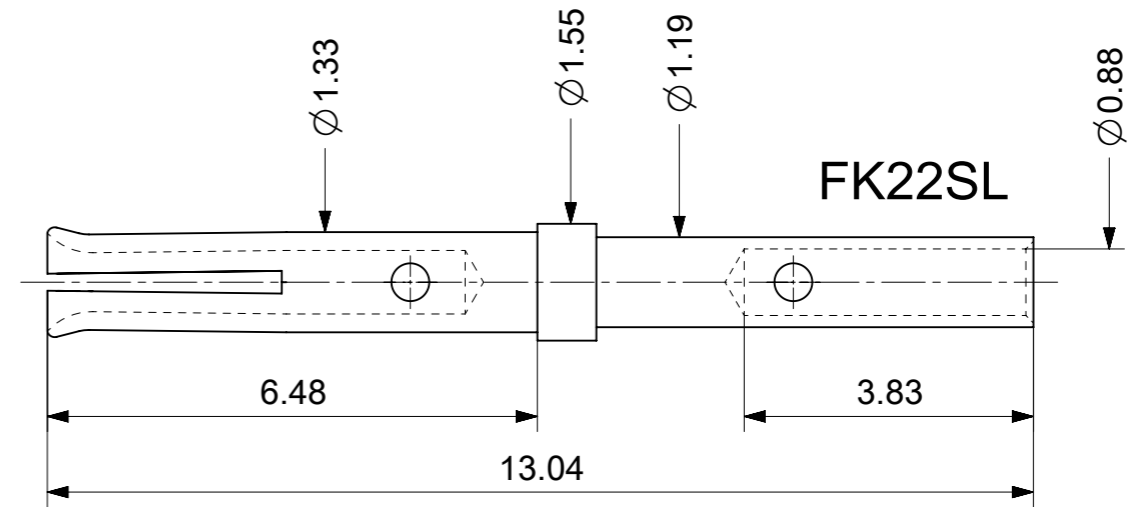
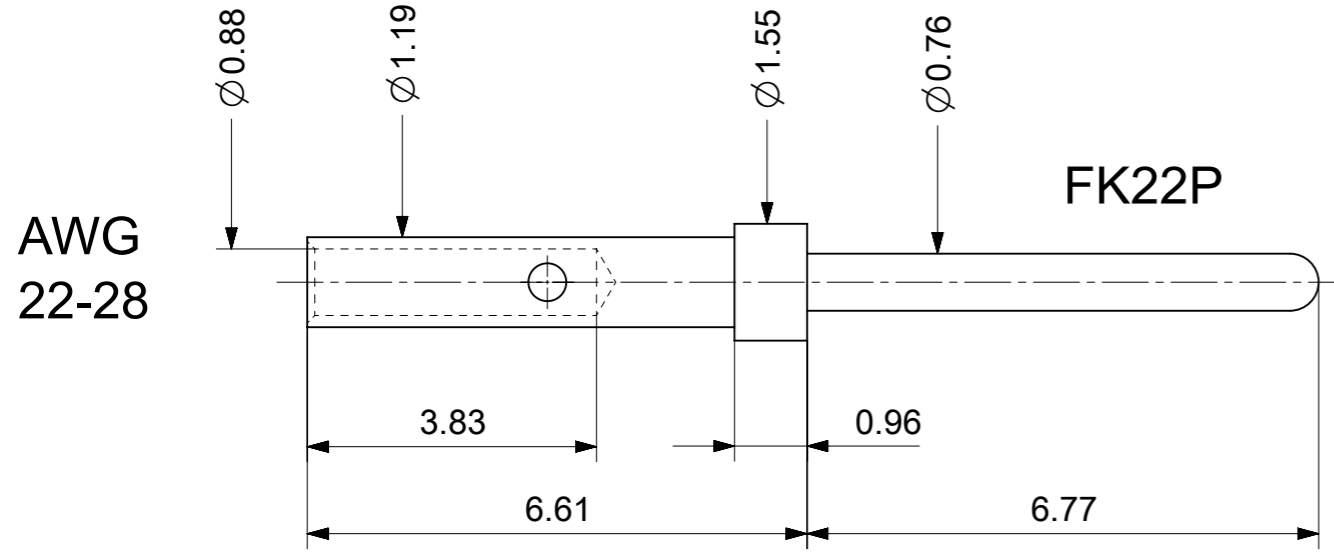
1731120228	FK22SL-13V-5783	1.3µm Au (OVER Ni)
1731120227	FK22SL-08V-5783	0.8µm Au (OVER Ni)
1731120226	FK22SL-02V-5783	0.2µm Au (OVER Ni)
1731120225	FK22P-13V-5783	1.3µm Au (OVER Ni)
1731120224	FK22P-08V-5783	0.8µm Au (OVER Ni)
1731120223	FK22P-02V-5783	0.2µm Au (OVER Ni)
MOLEX PART NO#	FCT PART#	SURFACE PLATING/COLOR/CLASS

QUALITY SYMBOLS A = 0 E = 0 EP = 0 ▼ = 0 C = 0 ⊗ = 0 ■ = 0 ▽ = 0	THIS DRAWING CONTAINS INFORMATION THAT IS PROPRIETARY TO MOLEX ELECTRONIC TECHNOLOGIES, LLC AND SHOULD NOT BE USED WITHOUT WRITTEN PERMISSION				DIMENSION UNITS: MM SCALE: 10:1			
	EC NO: 117803 DRWN: RLALSANGI CHK'D: ISHWARG APPR: ISHWARG	GENERAL TOLERANCES (UNLESS SPECIFIED) ANGULAR TOL ± °		DRWN BY: RLALSANGI	DATE: 2017/04/27	HPD HIGH DENSITY CRIMP CONTACT, MACHINED MALE PIN / FEMALE SOCKET		
		4 PLACES ±	3 PLACES ±	CHK'D BY: ISHWARG	DATE: 2017/06/07	PRODUCT CUSTOMER DRAWING		
		2 PLACES ±	1 PLACE ±	APPR BY: ISHWARG	DATE: 2017/06/07	SERIES: 173112		MATERIAL NUMBER: SEE TABLE
	0 PLACES ±	DRAFT WHERE APPLICABLE MUST REMAIN WITHIN DIMENSIONS		DRAWING SIZE: A3	THIRD ANGLE PROJECTION	DOCUMENT NUMBER: 1731120223 DOC TYPE: PSD DOC PART: 000 SHEET NUMBER: 1 OF 1		

AWG	Type	Surface	Mod.	FCT Part Number	Material Number	Type	Surface	Mod.	FCT Part Number	Material Number
AWG 22-28	FK22P-	02V	-5783	FK22P-02V-5783	1731120223	FK22SL-	02V	-5783	FK22SL-02V-5783	1731120226
			-6096	FK22P-02V-6096	1731120739			-6096	FK22SL-02V-6096	1731120743
			-6097	FK22P-02V-6097	1731120737			-6097	FK22SL-02V-6097	1731120744
		08V	-5783	FK22P-08V-5783	1731120224		-5783	FK22SL-08V-5783	1731120227	
			-6096	FK22P-08V-6096	1731120738		-6096	FK22SL-08V-6096	1731120745	
			-6097	FK22P-08V-6097	1731120740		-6097	FK22SL-08V-6097	1731120746	
		13V	-5783	FK22P-13V-5783	1731120225		-5783	FK22SL-13V-5783	1731120228	
			-6096	FK22P-13V-6096	1731120741		-6096	FK22SL-13V-6096	1731120747	
			-6097	FK22P-13V-6097	1731120742		-6097	FK22SL-13V-6097	1731121035	
						13V/CU (nonmagnetic)	-5783	FK22SL-13V/CU-5783	1731140246	

PIN Material: Brass

SOCKET Material: Copper alloy



FCT Part Number Example FK22SL-13V-5783

Crimp socket contact for wire size AWG 22-28.

Plating 1.3µm Au over Ni.

Packing see packaging specification.

Crimping Tools see catalogue.

Crimping Guideline see AM0650

Packaging specification: 1731120004-PK

RoHS compliant
by exemption

UNLESS OTHERWISE SPECIFIED DIMENSIONS FOR REFERENCE ONLY				REPLACEMENT FOR DOCUMENT NUMBER: FK22-XX			
FUNCTIONAL SYMBOLS		THIS DRAWING CONTAINS INFORMATION THAT IS PROPRIETARY TO MOLEX ELECTRONIC TECHNOLOGIES, LLC AND SHOULD NOT BE USED WITHOUT WRITTEN PERMISSION		<div style="text-align: center; font-size: 24pt; font-weight: bold;">molex</div> <p>FCT FK22 MACHINED CONTACTS FOR HD CRIMP CONNECTORS</p>			
$\nabla_A = 0$ $\nabla_E = 0$ $\nabla_P = 0$		CURRENT REV DESC: A24423					
DIVISIONAL SYMBOLS		EC NO: 746342		<p style="text-align: center;">PRODUCT CUSTOMER DRAWING</p>			
DIMENSION UNITS: mm SCALE: 10:1 GENERAL TOLERANCES (UNLESS SPECIFIED): ANGULAR TOL: ± ° 4 PLACES ± 3 PLACES ± 2 PLACES ± 1 PLACE ± 0 PLACES ±		DRWN: FVETTER 2023/04/17 CHK'D: MTEUBEL 2023/04/17 APPR: MTEUBEL 2023/04/17					
DRAFT WHERE APPLICABLE MUST REMAIN WITHIN DIMENSIONS		FIRST ANGLE PROJECTION		DOCUMENT NUMBER		DOC TYPE	
		DRAWING: A3-SIZE		1731120223		PSD 001 B	
		SERIES: 173112		MATERIAL NUMBER: SEE TABLE		CUSTOMER: GENERAL MARKET	
				SHEET NUMBER: 1 OF 1			