

**Ratings**

Voltage: 300 V  
 Temperature: -40~105 °C  
 Flammability: VW-1

**Conductor**

Conductor count: 6  
 Gauge: 18 AWG 0.82 mm<sup>2</sup>  
 Material: tinned copper strands  
 Strand size: Ø 0.127 mm x 65  
 Resistance at 20 °C: 23.2 Ω /km max

**Insulator**

Material: FEP  
 Color: red, black, white, yellow, blue, green  
 Diameter: Ø 1.5 ±0.10  
 Nominal thickness: 0.13 mm  
 Resistance at 20 °C: 10 MΩ /km min

**Filler**

Material: aramid fiber

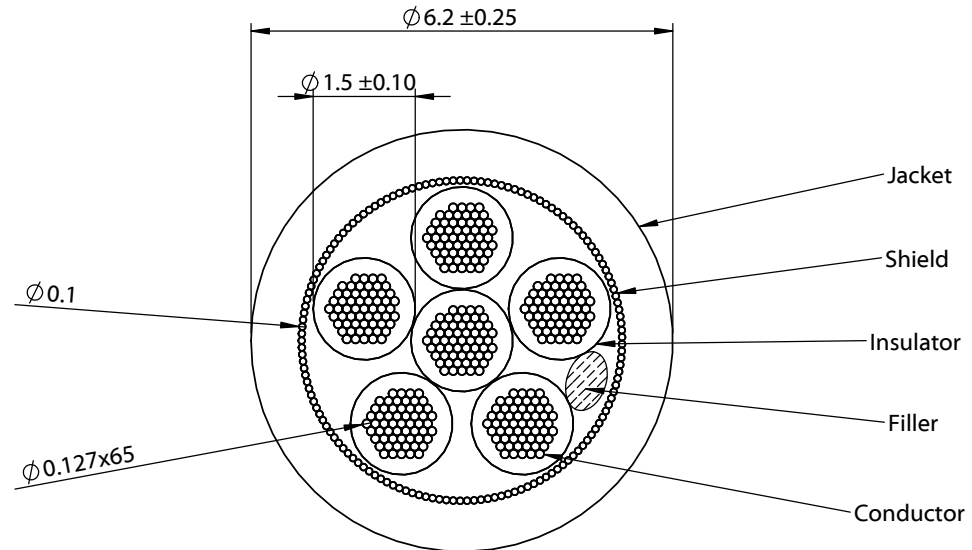
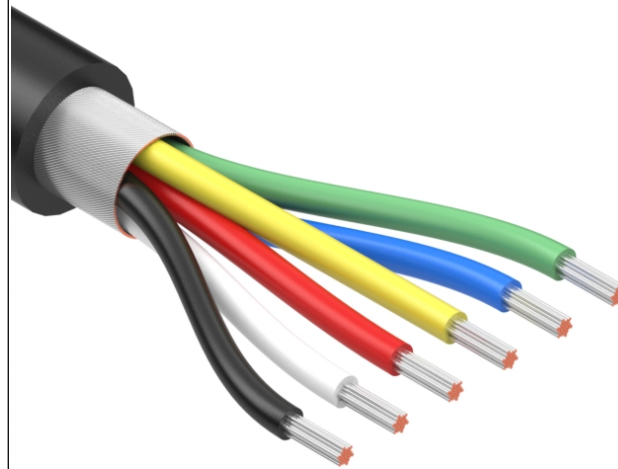
**Shield**

Material: tinned copper strands  
 Strand size: Ø 0.1 mm, 85% min coverage

**Outer jacket**

Material: TPE, 78A  
 Color: black, matte  
 Diameter: Ø 6.2 ±0.25  
 Nominal thickness: 0.6 mm

**Wire marking:** E339579 UL AWM STYLE 21296 18 AWG 105°C  
 300V VW-1 --- cUL AWM I A 105°C 300V FT1 TENSILITY DGT



Revision:	Date:	Description:	Prepared: PB <small>Digitally signed by PB Date: 2021.10.26 12:31:21 -07'00'</small>	Notes:	<b>TENSILITY</b> tel 1.541.323.3228 800 877.670.7118 fax 1.541.323.4202 web tensility.com
A	10/25/2021	Initial release	Verified: JD <small>Digitally signed by JD Date: 2021.10.29 16:09:39 -07'00'</small>	RoHS compliant Phthalate free Function test: no open, no short circuit, no intermittent	
			Dimensions are in millimeters. Tolerances: X: ± 0.5 mm X.X: ± 0.3 mm X.XX: ± 0.05 mm	Description: Wire, 6C TS, 18 AWG, UL 21296, 300V, 105C, 6.2 mm, shielded, VW-1, TPE	Size: A Part number: 30-02442
					Scale: 9:1 Sheet 1 of 1

5

4

3

2

1