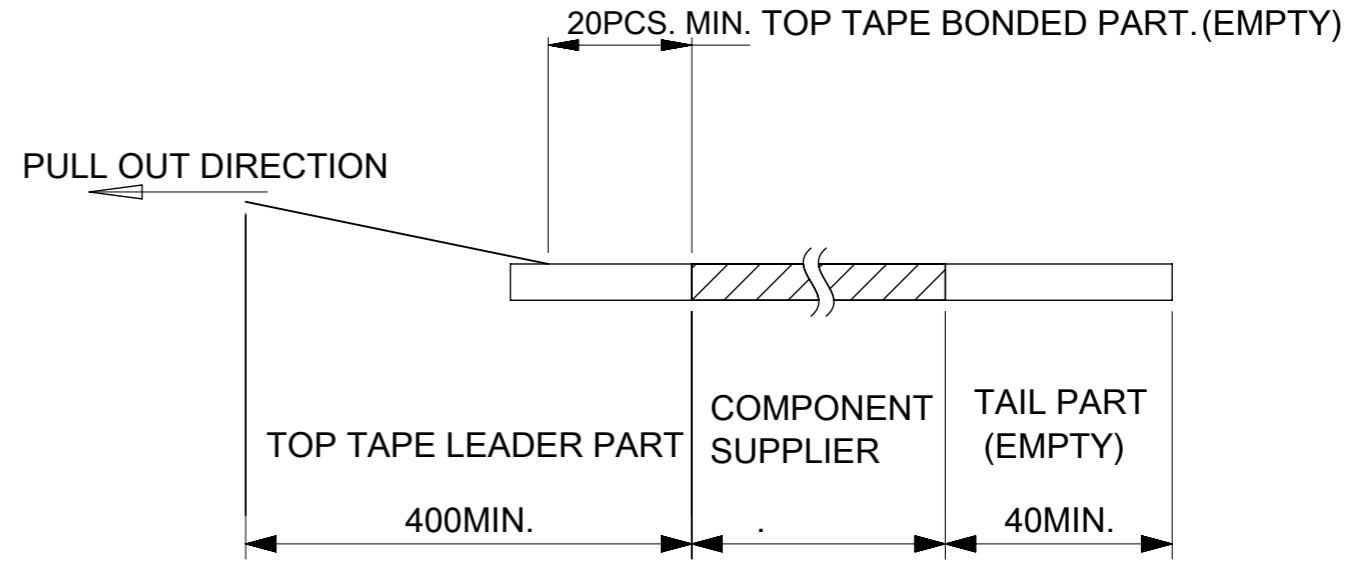


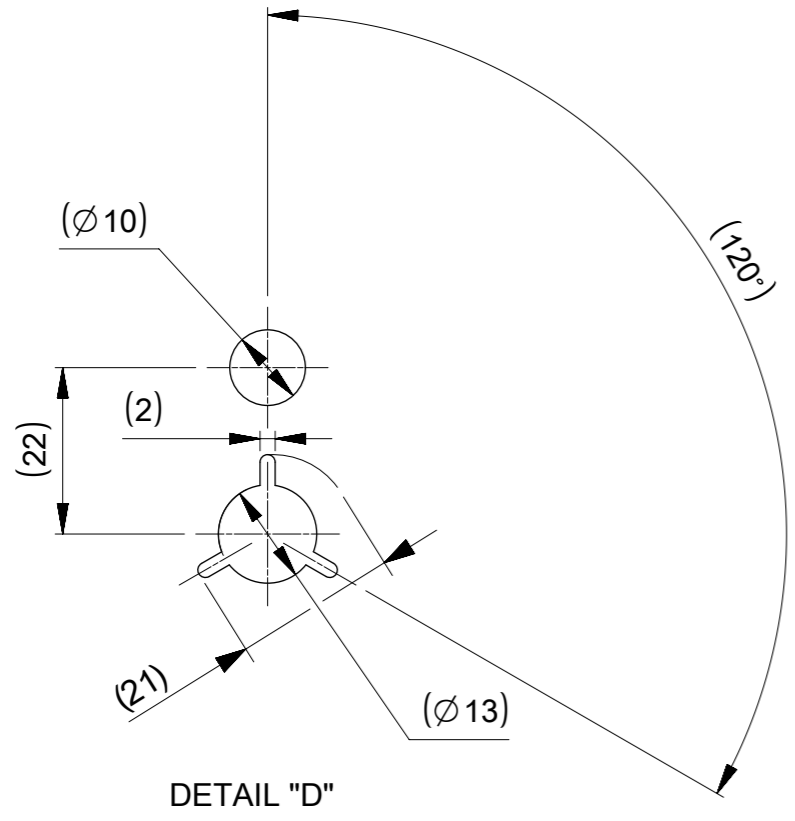
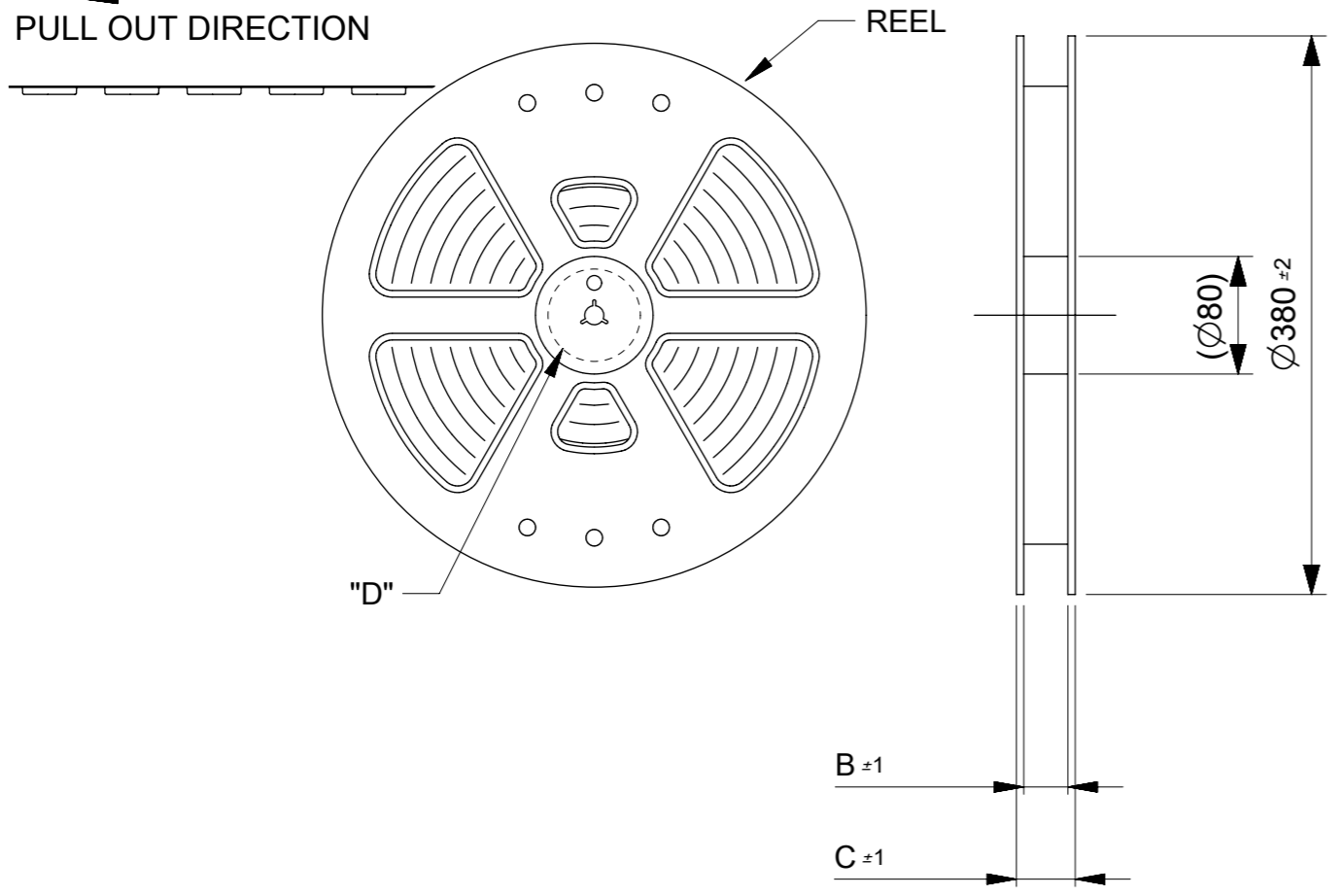
NOTES

1. RE DETAILED DIMENSION, SEE PRODUCT DRAWING.
2. NUMBER OF CONNECTORS : 2200 PCS/REEL.
3. LEAD TAPE LENGTH.

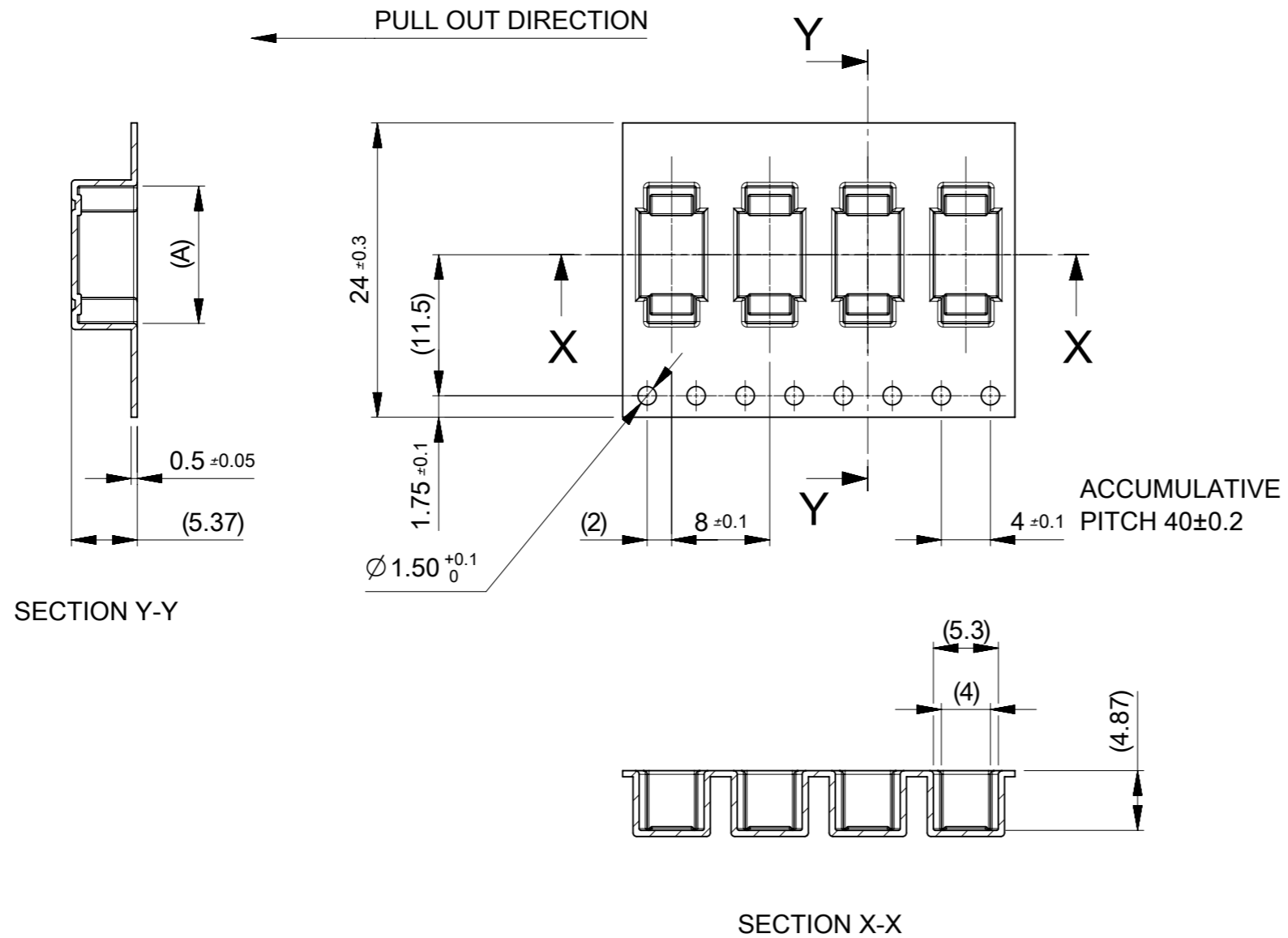


4. TOP TAPE PEEL FORCE IS DEFINED BY IEC60286-3
5. MATERIAL
CARRER TAPE :POLYSTYRENE
TOP TAPE :PET , OTHER
REEL :POLYSTYRENE(PS)(RECYCLE MATERIAL CONTAINED)
6. ELV AND RoHS COMPLIANT

PULL OUT DIRECTION



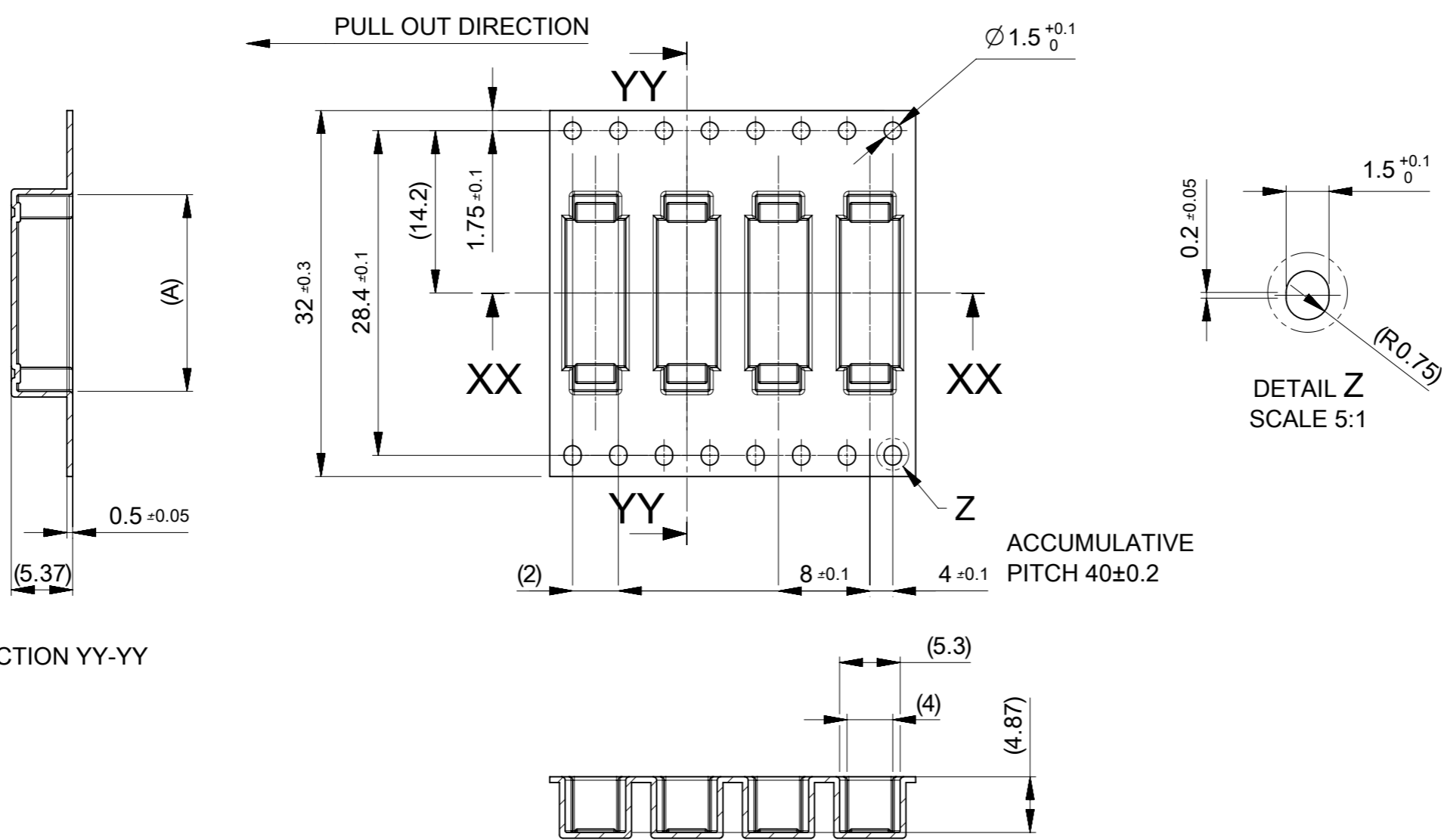
THIS DRAWING CONTAINS INFORMATION THAT IS PROPRIETARY TO MOLEX ELECTRONIC TECHNOLOGIES, LLC AND SHOULD NOT BE USED WITHOUT WRITTEN PERMISSION									
DIMENSION UNITS	SCALE	CURRENT REV DESC:					molex		
mm	2:1								
GENERAL TOLERANCES (UNLESS SPECIFIED)		EC NO: 623405					0.4 FLOATING BB H=5 PLUG EMBOSSTP PKG.		
ANGULAR TOL	± °	DRWN: JFURUKAWA 2019/09/02					PRODUCT CUSTOMER DRAWING		
4 PLACES	±	CHK'D: YNAITO 2019/09/18					DOCUMENT NUMBER		
3 PLACES	±	APPR: RTAKEUCHI 2019/09/18					2039560000		
2 PLACES	±	INITIAL REVISION:					DOC TYPE	DOC PART	REVISION
1 PLACE	±	DRWN: STERUKI 2018/05/01					PSD	001	B
0 PLACES	±	APPR: TKUSUHARA01 2018/06/22					SHEET NUMBER		
DRAFT WHERE APPLICABLE MUST REMAIN WITHIN DIMENSIONS		THIRD ANGLE PROJECTION	DRAWING	SERIES	MATERIAL NUMBER	CUSTOMER	SHEET NUMBER		
			A3-SIZE	203956	SEE CHART	GENERAL	1 OF 3		



24	29.4	25.4	15.2	2039560501	○	---	50
			13.2	2039560401	○	---	40
			11.2	2039560301	○	---	30
			9.2	2039560201	○	---	20
キャリアテープ幅 CARRIER TAPE WIDTH	C	B	(A)	MATERIAL No.	HIGH VOL. TOOL	LOW VOL. TOOL	CIRCUIT
					SAMPLE PREPARATION		

THIS DRAWING CONTAINS INFORMATION THAT IS PROPRIETARY TO MOLEX ELECTRONIC TECHNOLOGIES, LLC AND SHOULD NOT BE USED WITHOUT WRITTEN PERMISSION

DIMENSION UNITS mm	SCALE 1:1	CURRENT REV DESC:			molex		
GENERAL TOLERANCES (UNLESS SPECIFIED)		EC NO: 623405					
ANGULAR TOL ± °		DRWN: JFURUKAWA 2019/09/02			PRODUCT CUSTOMER DRAWING		
4 PLACES ±		CHK'D: YNAITO 2019/09/18			DOCUMENT NUMBER		
3 PLACES ±		APPR: RTAKEUCHI 2019/09/18			2039560000		
2 PLACES ±		INITIAL REVISION:			DOC TYPE	DOC PART	REVISION
1 PLACE ±		DRWN: STERUKI 2018/05/01			PSD	001	B
0 PLACES ±		APPR: TKUSUHARA01 2018/06/22			SHEET NUMBER		
DRAFT WHERE APPLICABLE MUST REMAIN WITHIN DIMENSIONS	THIRD ANGLE PROJECTION	DRAWING	SERIES	MATERIAL NUMBER	CUSTOMER	SHEET NUMBER	
		A3-SIZE	203956	SEE CHART	GENERAL	2 OF 3	



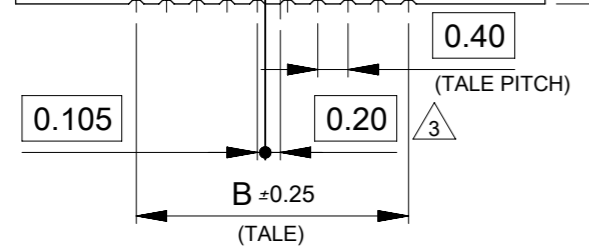
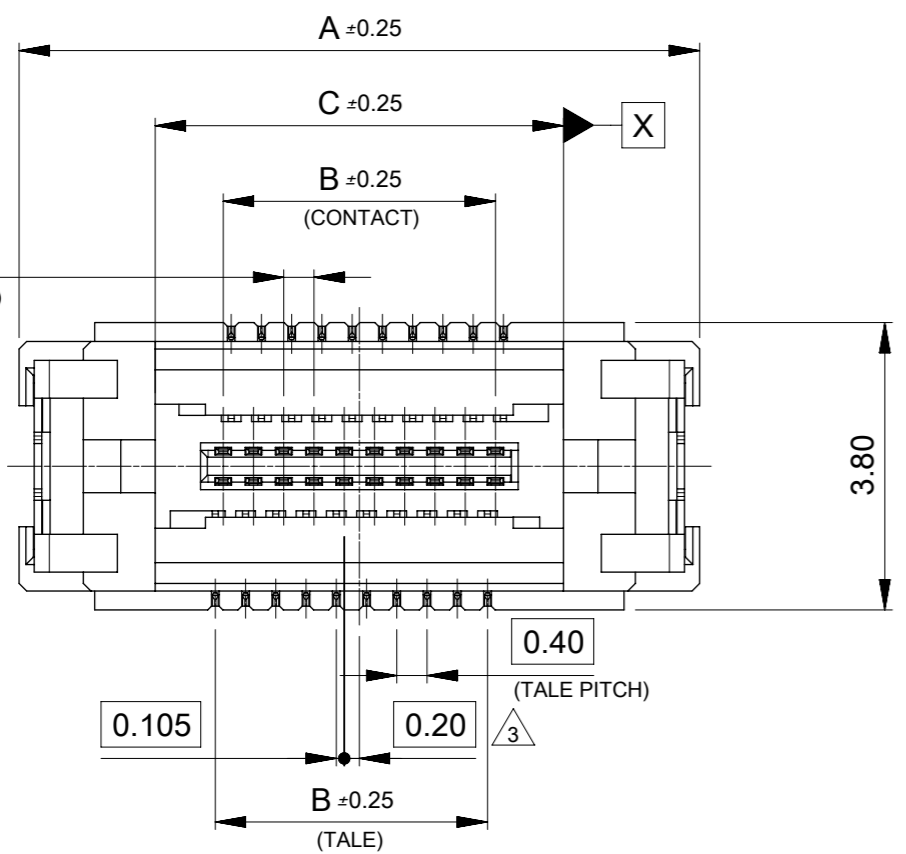
SECTION YY-YY

SECTION XX-XX

32	37.4	33.4	17.2	2039560601	○	---	60
キャリアテープ幅 CARRIER TAPE WIDTH	C	B	(A)	MATERIAL No.	HIGH VOL. TOOL	LOW VOL. TOOL	CIRCUIT
					SAMPLE PREPARATION		

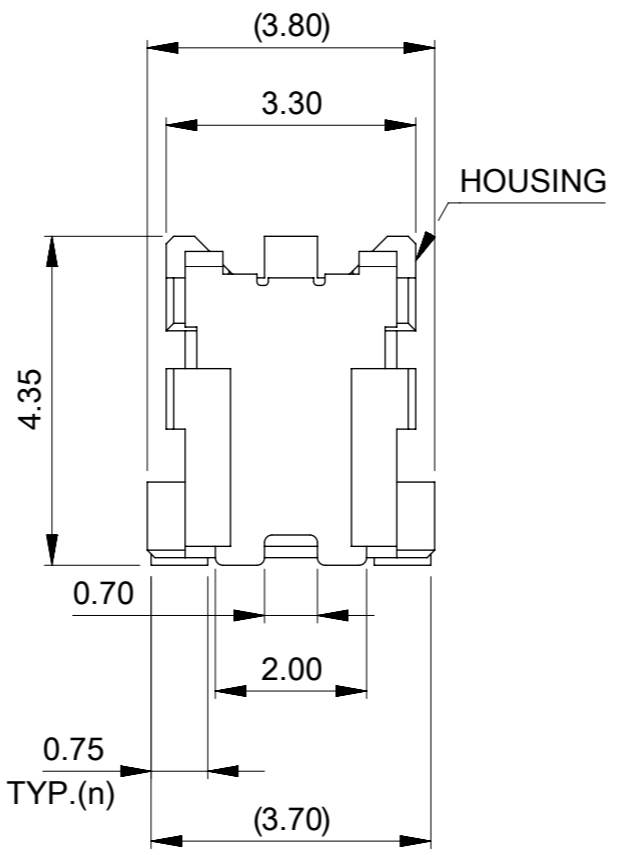
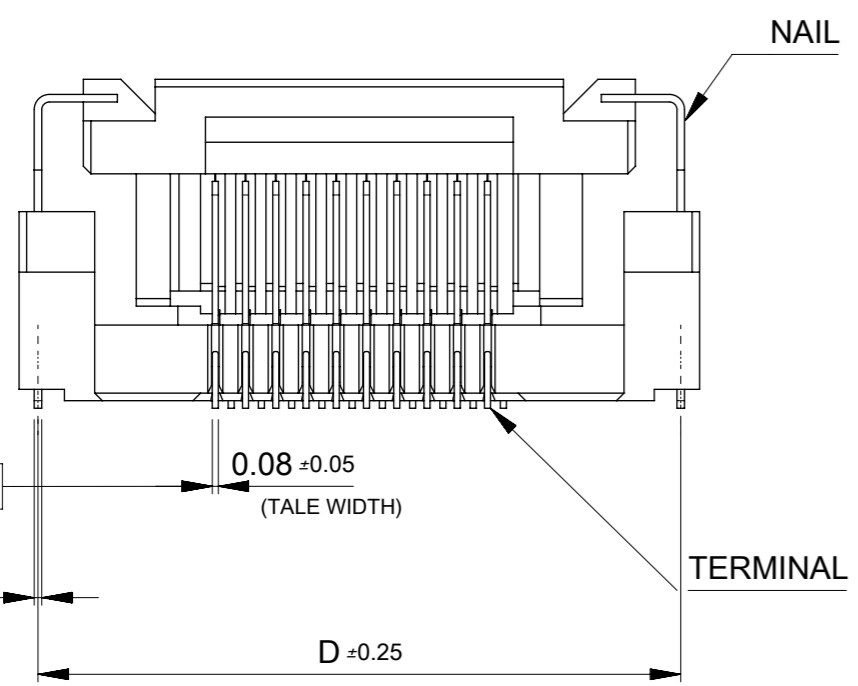
THIS DRAWING CONTAINS INFORMATION THAT IS PROPRIETARY TO MOLEX ELECTRONIC TECHNOLOGIES, LLC AND SHOULD NOT BE USED WITHOUT WRITTEN PERMISSION							
DIMENSION UNITS mm	SCALE 2:1	CURRENT REV DESC:			molex		
GENERAL TOLERANCES (UNLESS SPECIFIED)		EC NO: 623405					
ANGULAR TOL ± °		DRWN: JFURUKAWA 2019/09/02			0.4 FLOATING BB H=5 PLUG EMBOSSTP PKG.		
4 PLACES ±		CHK'D: YNAITO 2019/09/18			PRODUCT CUSTOMER DRAWING		
3 PLACES ±		APPR: RTAKEUCHI 2019/09/18			DOCUMENT NUMBER		
2 PLACES ±		INITIAL REVISION:			2039560000		
1 PLACE ±		DRWN: STERUKI 2018/05/01			DOC TYPE	DOC PART	REVISION
0 PLACES ±		APPR: TKUSUHARA01 2018/06/22			PSD	001	B
DRAFT WHERE APPLICABLE MUST REMAIN WITHIN DIMENSIONS	THIRD ANGLE PROJECTION	DRAWING	SERIES	MATERIAL NUMBER	CUSTOMER		SHEET NUMBER
		A3-SIZE	203956	SEE CHART	GENERAL		3 OF 3

0.4 ±0.1
(CONTACT PITCH)

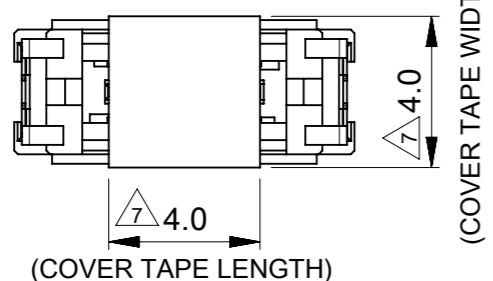


0.15 X

0.10 ±0.05
(NAIL WIDTH)



COVER TAPE LAYOUT



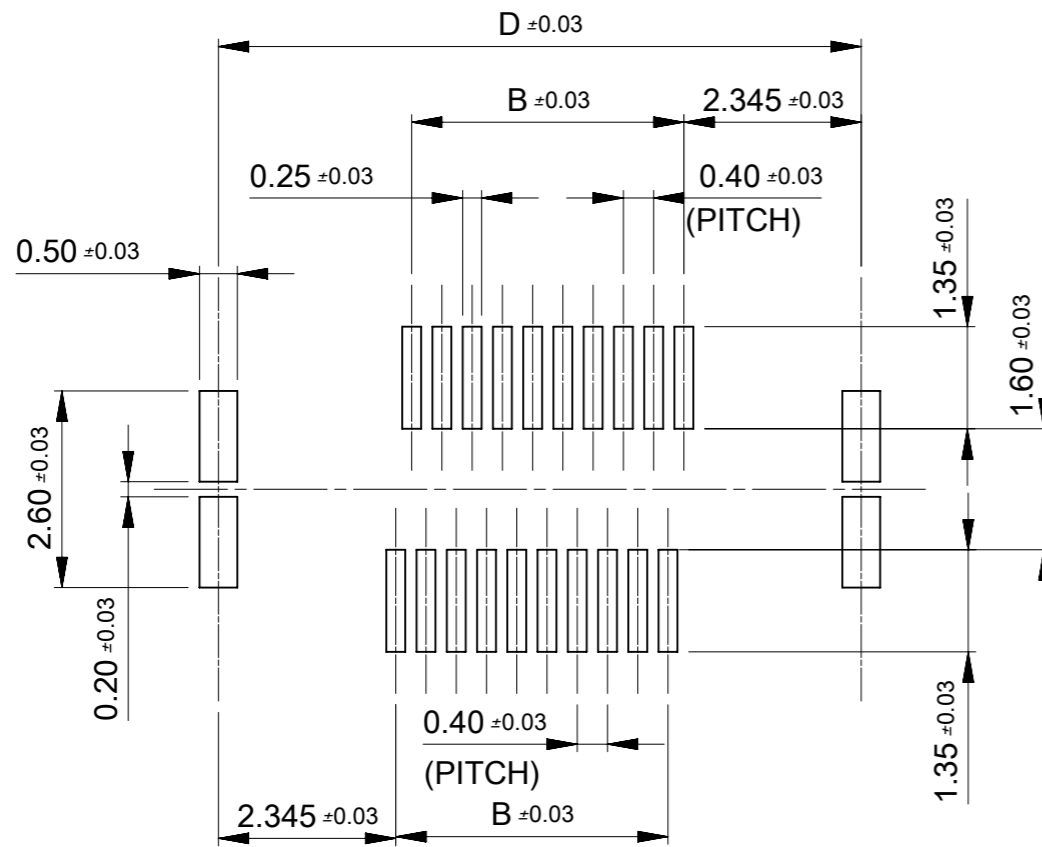
- 1 MATERIAL
 WAFER: LIQUID CRYSTAL POLYMER UL94V-0 (COLOR : BLACK)
 TERMINAL: COPPER ALLOY
 FITTING NAIL: COPPER ALLOY
 COVER TAPE: POLYIMIDE
- 2 PLATING
 TERMINAL :
 CONTACT AREA: GOLD PLATING.
 SOLDER TAIL AREA: GOLD PLATING.
 UNDERPLATE: NICKEL OVERALL.
 FITTING NAIL:
 SURFACE: TIN OVERALL
 UNDERPLATE: NICKEL OVERALL.
- △ 3 APPLY FOR (CIRCUIT/2)=EVEN.
- 4 MATE WITH :203955****
- 5 TAIL COPLANARITY TO BE 0.1 MAXIMUM.
- 6 ELV and RoHS COMPLIANT.
- △ 7 ALL CIRCUIT IS COMMON LENGTH.

16.5	13.4	11.6	17	2039560601	○	---	60
14.5	11.4	9.6	15	2039560501	○	---	50
12.5	9.4	7.6	13	2039560401	○	---	40
10.5	7.4	5.6	11	2039560301	○	△	30
8.5	5.4	3.6	9	2039560201	○	---	20
D	C	B	A	EMBOSSED TAPE PACKAGE	HIGH VOL. TOOL	LOW VOL. TOOL	CIRCUIT
ORDER NO.				SAMPLE PREPARATION ○ : TOOLED △ : WORK IN PROCESS ---: TOOLING TO BE CONFIRMED			

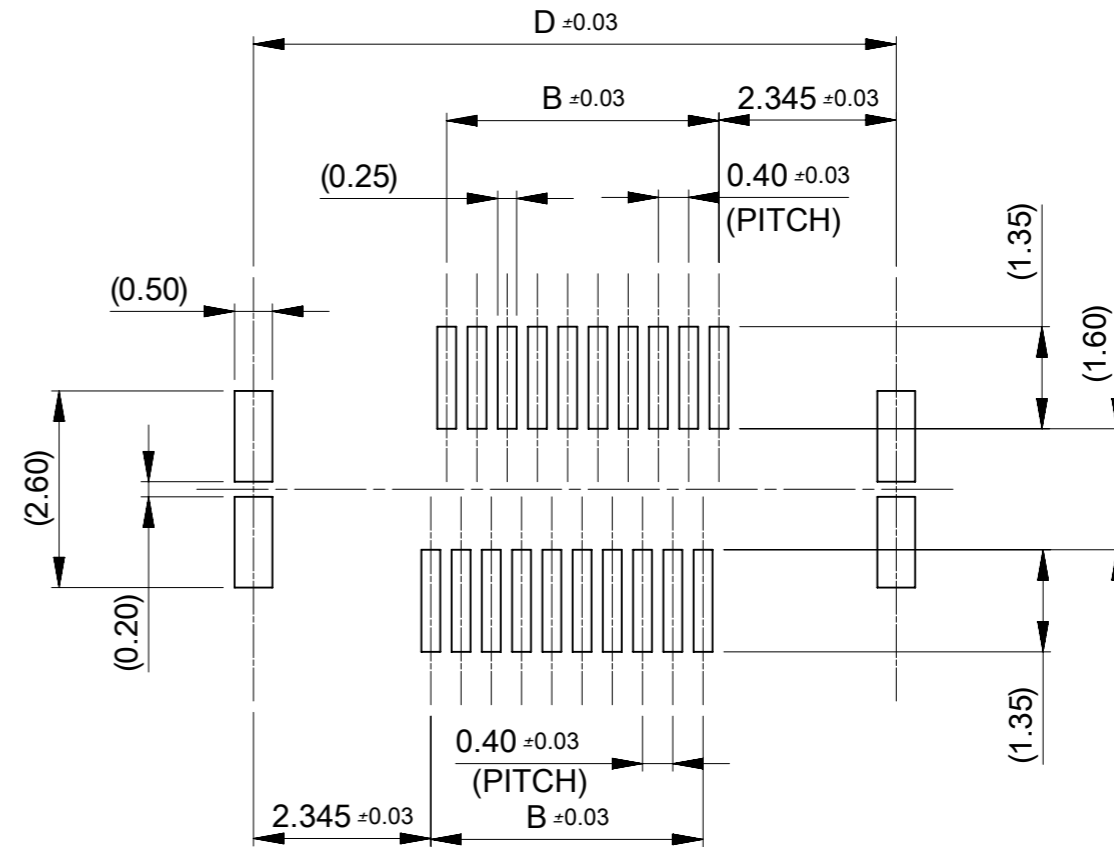
CONNECTOR SERIES NO. : 2039561**1

THIS DRAWING CONTAINS INFORMATION THAT IS PROPRIETARY TO MOLEX ELECTRONIC TECHNOLOGIES, LLC AND SHOULD NOT BE USED WITHOUT WRITTEN PERMISSION

DIMENSION UNITS mm	SCALE 10:1	CURRENT REV DESC:		molex				
GENERAL TOLERANCES (UNLESS SPECIFIED)		EC NO: 642422						0.4 FLOATING BB CONN.H=5 PLUG ASSY
ANGULAR TOL ± 1.0°	4 PLACES ± 0.2	DRWN: AHMADI2 2020/07/28		PRODUCT CUSTOMER DRAWING				
3 PLACES ± 0.2	2 PLACES ± 0.2	CHK'D: HSHIMOIYAMA 2020/07/30		DOCUMENT NUMBER				
1 PLACE ± 0.2	0 PLACES ± 0.2	APPR: SHOSHIKAWA 2020/07/30		2039561000		DOC TYPE	DOC PART	REVISION
DRAFT WHERE APPLICABLE MUST REMAIN WITHIN DIMENSIONS		INITIAL REVISION: DRWN: STERUKI 2018/06/19 APPR: TKUSUHARA01 2018/06/22		GENERAL		000	B	1 OF 2



RECOMMENDED P.W.BOARD PATTERN LAYOUT(REFERENCE)



RECOMMENDED METAL MASK LAYOUT(REFERENCE)

RECOMMENDED THICKNESS OF METAL MASK : t=0.1mm

RECOMMENDED OPEN APERTURE RATIO OF METAL MASK : 100%

THIS DRAWING CONTAINS INFORMATION THAT IS PROPRIETARY TO MOLEX ELECTRONIC TECHNOLOGIES, LLC AND SHOULD NOT BE USED WITHOUT WRITTEN PERMISSION									
DIMENSION UNITS		SCALE		CURRENT REV DESC:				molex	
mm		10:1							
GENERAL TOLERANCES (UNLESS SPECIFIED)				EC NO: 642422				0.4 FLOATING BB CONN.H=5 PLUG ASSY	
ANGULAR TOL ± 1.0 °				DRWN: AHMADI2 2020/07/28				PRODUCT CUSTOMER DRAWING	
4 PLACES ± 0.2				CHK'D: HSHIMOYAMA 2020/07/30				DOCUMENT NUMBER	
3 PLACES ± 0.2				APPR: SHOSHIKAWA 2020/07/30				2039561000	
2 PLACES ± 0.2				INITIAL REVISION:				DOC TYPE	
1 PLACE ± 0.2				DRWN: STERUKI 2018/06/19				PSD	
0 PLACES ± 0.2				APPR: TKUSUHARA01 2018/06/22				DOC PART	
DRAFT WHERE APPLICABLE MUST REMAIN WITHIN DIMENSIONS				THIRD ANGLE PROJECTION		DRAWING		REVISION	
				A3-SIZE		SERIES		B	
				203956		MATERIAL NUMBER		SHEET NUMBER	
				GENERAL		CUSTOMER		2 OF 2	