



# 732 Series

## Electromechanical Hour Meter

**EVALUATION KIT AVAILABLE**  
Contact us to request yours



Available with stainless steel bezel

The Model 732 provides a DC Hour Meter with an operating range of 10-80VDC. Models are protected for 2 times battery voltage and/or reverse polarity. Models are available in the standard industry housings, 3-Hole Round, Flush-Rectangular, Flush-Round and 2-Hole Rectangular. A Stirrup and Cup mount are available for applications where high shock and vibration exist. Its quartz time base insures accurate long-term time keeping. The totally sealed case protects against the environment and provides years of reliable service. Most models are IP66 and NEMA 4X, 12 rated when mounted with optional gasket.

### Key Features

- Operating voltage 10-80VDC
- Totally Sealed
- UL/cUL Recognized, CE, UKCA & RoHS Compliant
- 6 Figure, 99999.9
- Quartz accuracy
- Options include:
  - Wire leads
  - Gasket kit (for IP66 and NEMA 4X, 12 rating)
  - Custom lens
  - Terminals up, down, straight

### Applications

- Material Handling
- Farming Equipment
- Outdoor Power Equipment
- Construction Equipment
- Utility Vehicles

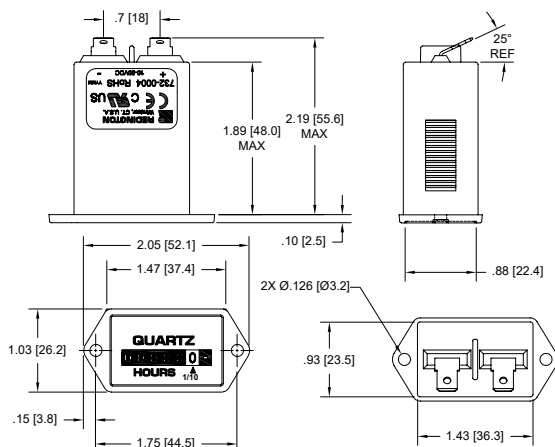
## Specification

<b>Figures</b>	6 - digits, 0.14" [3.6mm] 99999.9 Hours and indicator - white on black Decimal - black on white
<b>Reset</b>	Non-reset
<b>Voltage</b>	10-80VDC
<b>Power</b>	1 watt max.
<b>Mount</b>	Clip, mounting holes, Cup, or Stirrup
<b>Terminations</b>	1/4" [6.3mm] spade terminals
<b>Weight</b>	~2 oz [57 g]
<b>Accuracy</b>	± 0.02% over entire range
<b>Bezel</b>	Stirrup and Cup mount have metallic bezels
<b>Case Material</b>	Black polymer
<b>Lens Material</b>	Cup & Stirrup - glass All other models - polymer
<b>Transient Protection</b>	± 6 times normal for 300msec
<b>Approvals</b>	UL/cUL Recognized, CE, UKCA, SAE, & RoHS Compliant. All models are IP66 and NEMA 4X, 12 Compliant except the Cup and Stirrup mount
<b>Overvoltage &amp; Reverse Polarity</b>	Protected for 2 times battery voltage and/or reverse polarity
<b>Environmental</b>	Totally Sealed
<b>Front Panel</b>	IP66 and NEMA 4X, 12 rated with optional gasket
<b>Temp. Range</b>	-40°F to +185°F [-40°C to + 85°C]
<b>Humidity</b>	95% (SAE J1378)
<b>Vibration</b>	10-80 Hz. 20g max. (SAE J1378)
<b>Shock</b>	55g @ 9 - 13msec (SAE J1378)

**Industry standard quartz timing:** The 732 series hour meter uses a quartz crystal oscillator that generates an impulse every 36 seconds or 0.01 of an hour.

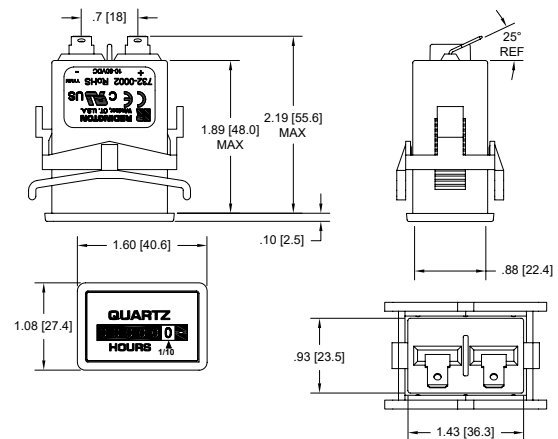
## Dimensions

**2-Hole**

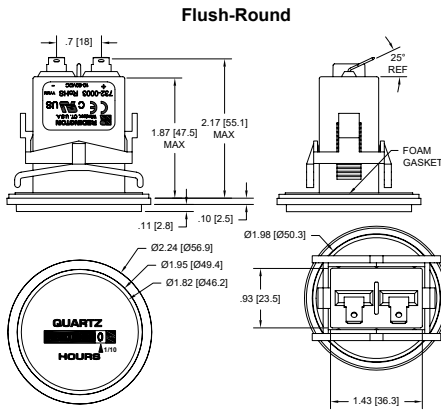


Panel Opening: 1.45" X 0.95" [36.8 X 24.1]  
Recommended cut out hole size: 0.15 [3.8mm]

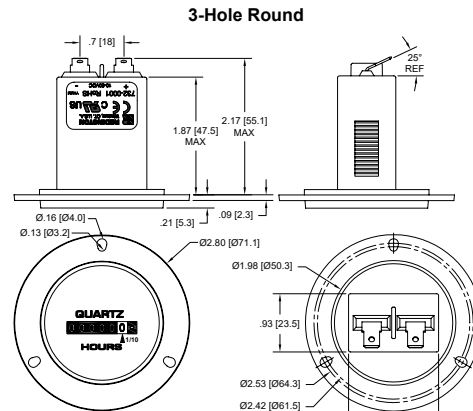
**Flush-Rectangular**



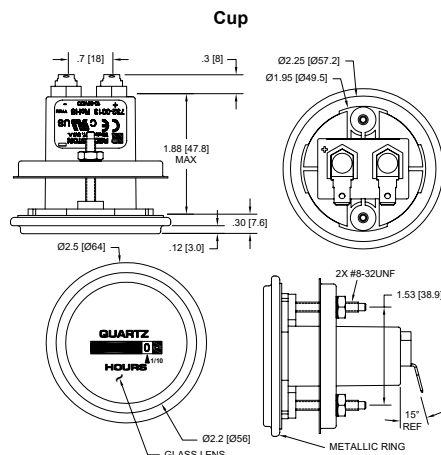
Panel Opening: 1.45" X 0.95" [36.8 X 24.1]  
Maximum Panel Thickness: 0.03 to 0.63 [0.76 to 16.00]



Panel Opening: 2.0" [50.6]  
Maximum Panel Thickness: 0.40 [10.2]

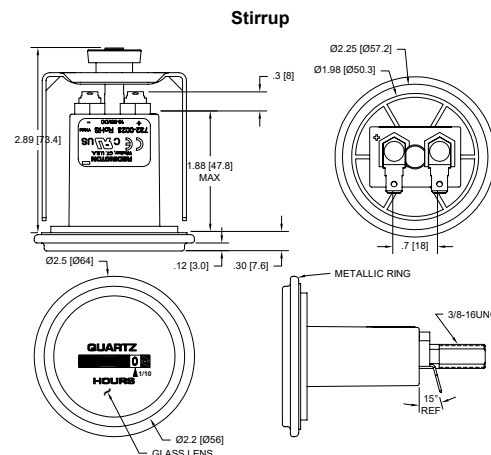


Panel Opening: 2.0" [50.6]



NOTE: SUPPLIED WITH MOUNTING HARDWARE

Panel Opening: 2.0" [50.6]



NOTE: SUPPLIED WITH MOUNTING HARDWARE

Panel Opening: 2.0" [50.6]

## Part Numbers

<b>732-0001</b>	3-Hole Round, 10-80VDC, 1/4" [6.3mm] spade terminals, hours & 1/10's
<b>732-0002</b>	Flush-Rectangular, 10-80VDC, 1/4" [6.3mm] spade terminals, hours & 1/10's
<b>732-0003</b>	Flush-Round, 10-80VDC, 1/4" [6.3mm] spade terminals, hours & 1/10's
<b>732-0004</b>	2-Hole Rectangular, 10-80VDC, 1/4" [6.3mm] spade terminals, hours & 1/10's
<b>732-0013</b>	Panel mt, Round, Cup, stainless steel bezel, 10-80VDC, 1/4" [6.3mm] spade terminals, hours & 1/10's
<b>732-0014</b>	Panel mt, Round, Cup, black bezel, 10-80VDC, 1/4" [6.3mm] spade terminals, hours & 1/10's
<b>732-0023</b>	Panel mt, Round, Stirrup, stainless steel bezel, 10-80VDC, 1/4" [6.3mm] spade terminals, hours & 1/10's
<b>732-0030</b>	Square 1.9" (48mm), 10-80VDC, 1/4" [6.3mm] spade terminals, hours & 1/10's
<b>5003-008</b>	IP66 and NEMA 4X, 12 Gasket for Models 732-0003, 732-0013 & 732-0023
<b>5003-009</b>	IP66 and NEMA 4X, 12 Gasket for Model 732-0002
<b>5003-010</b>	IP66 and NEMA 4X, 12 Gasket for Model 732-0004
<b>5003-011</b>	IP66 and NEMA 4X, 12 Gasket for Model 732-0001
<b>732-0004-EVAL</b>	732 Evaluation Kit

