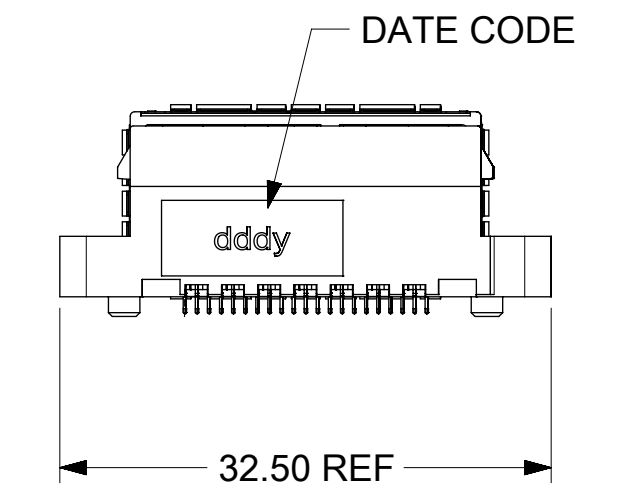
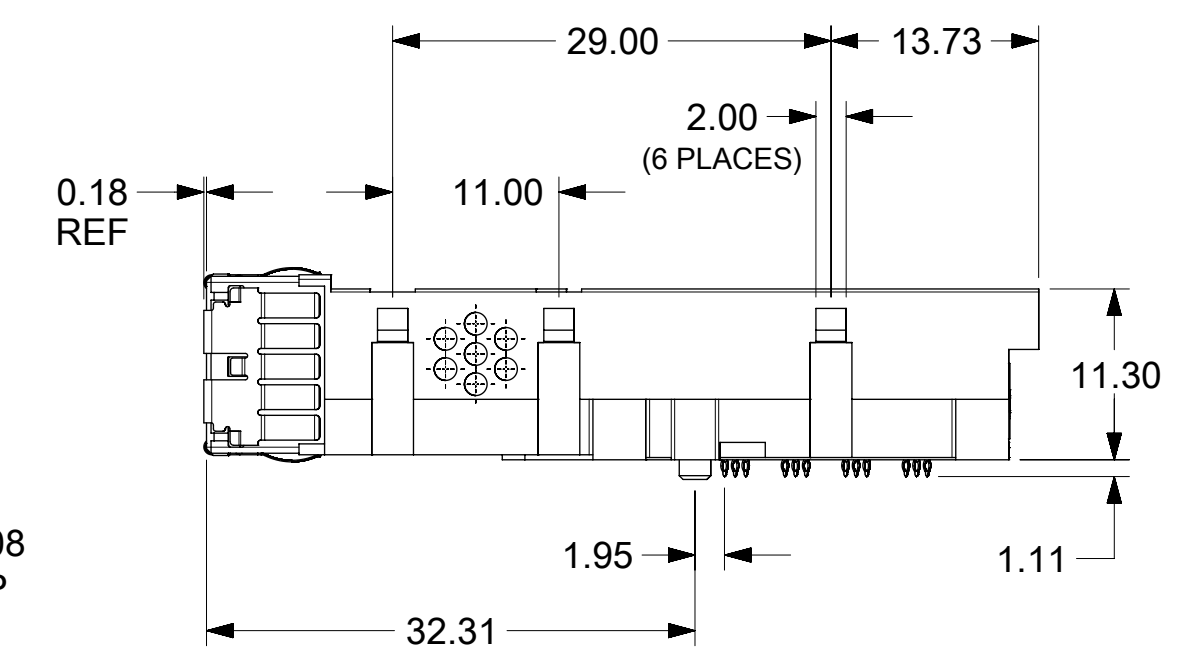
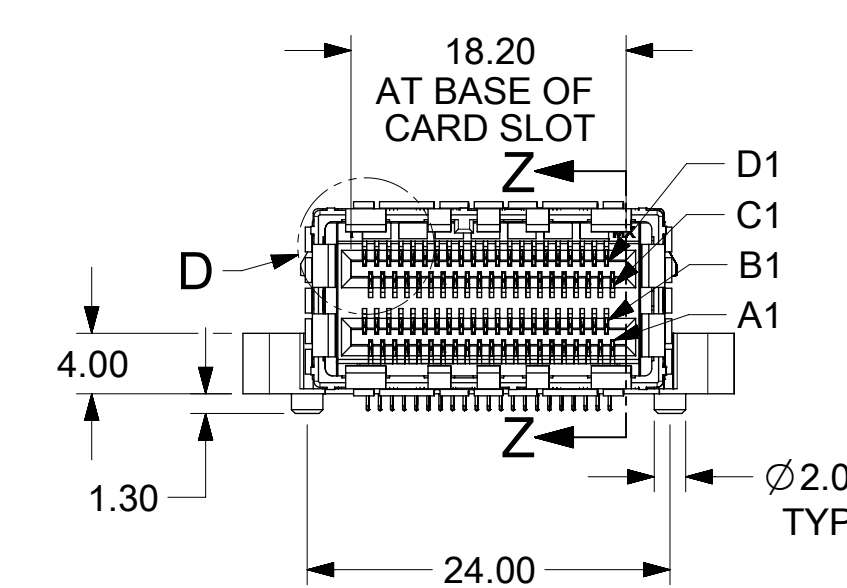
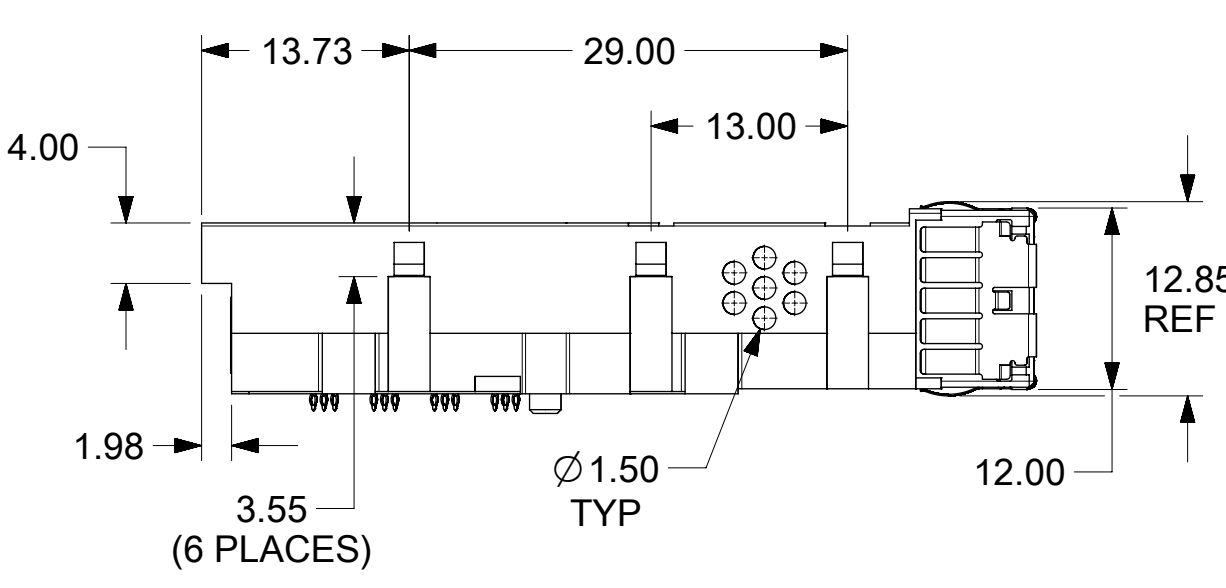
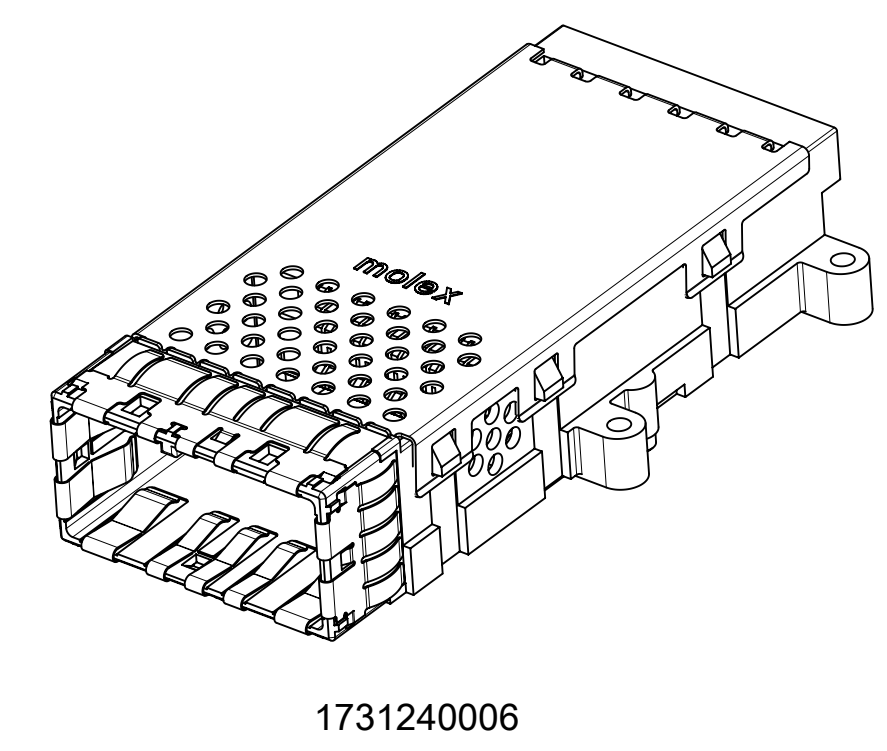
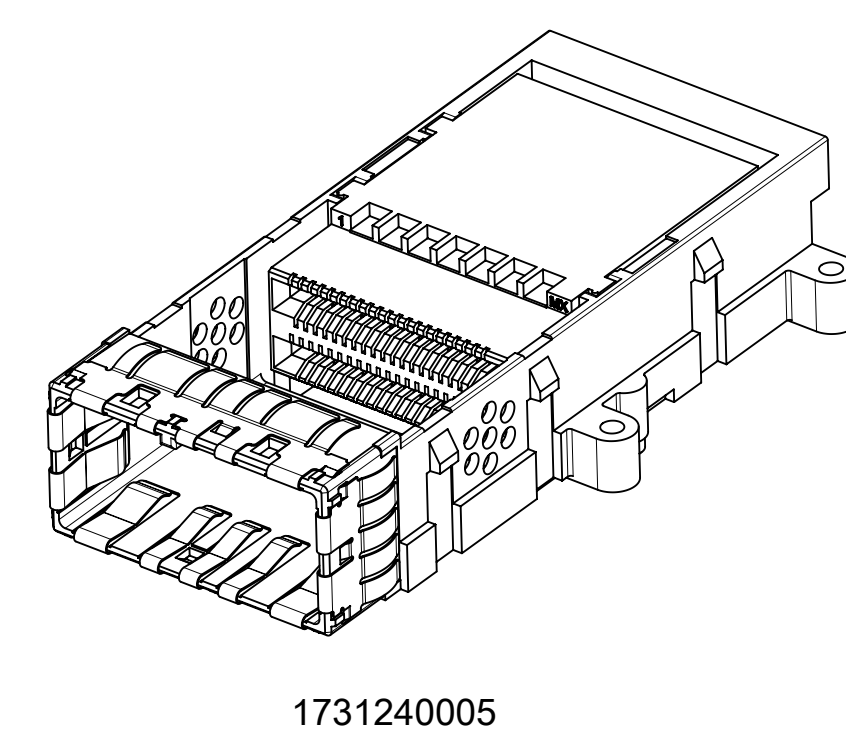
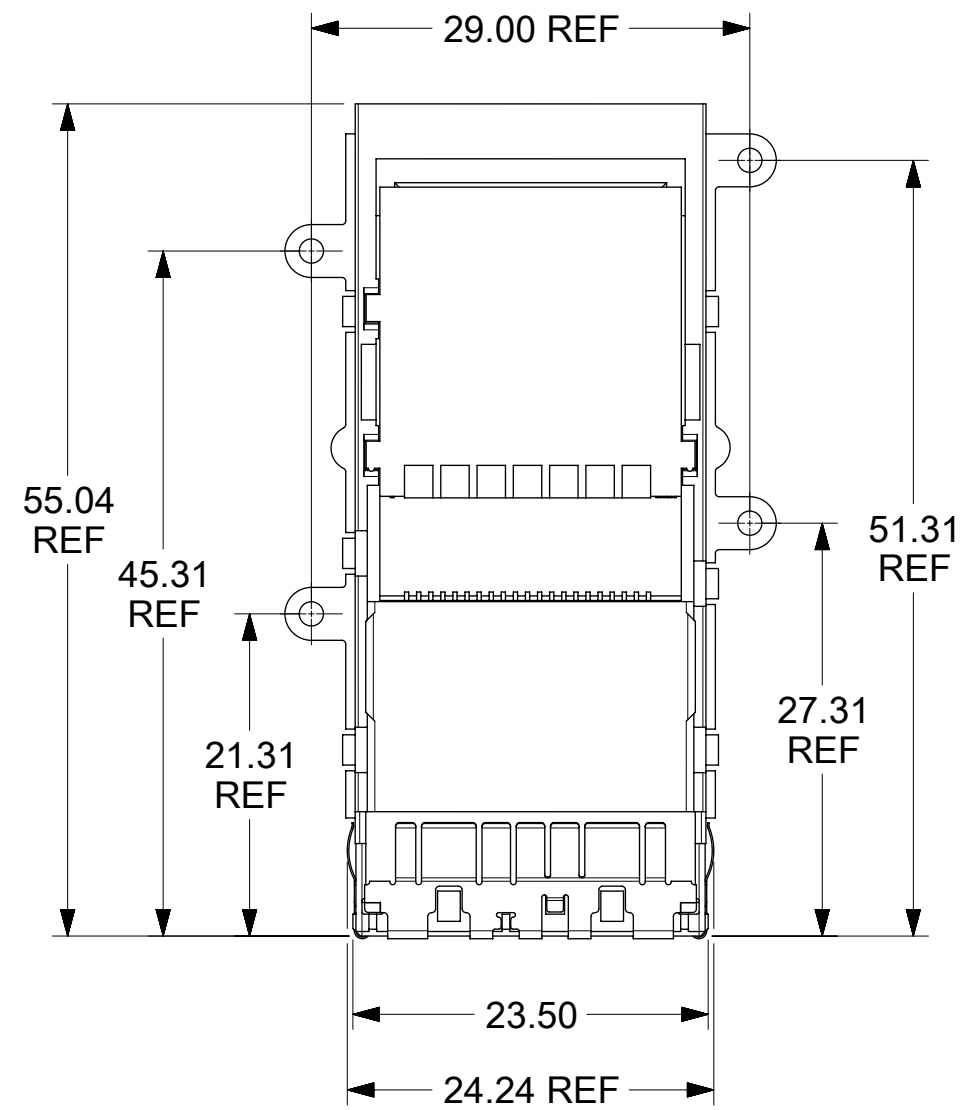
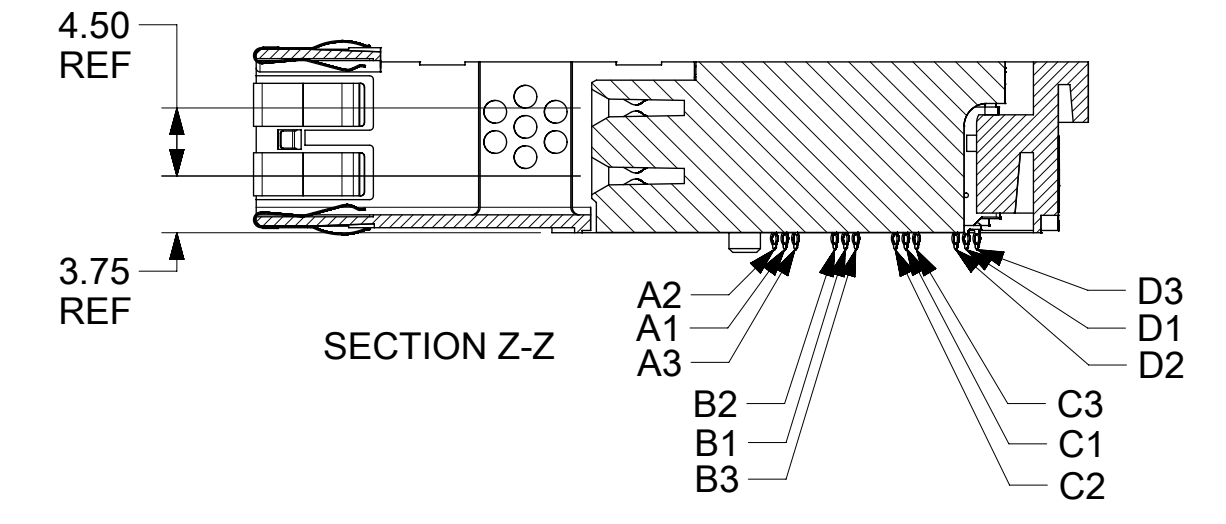
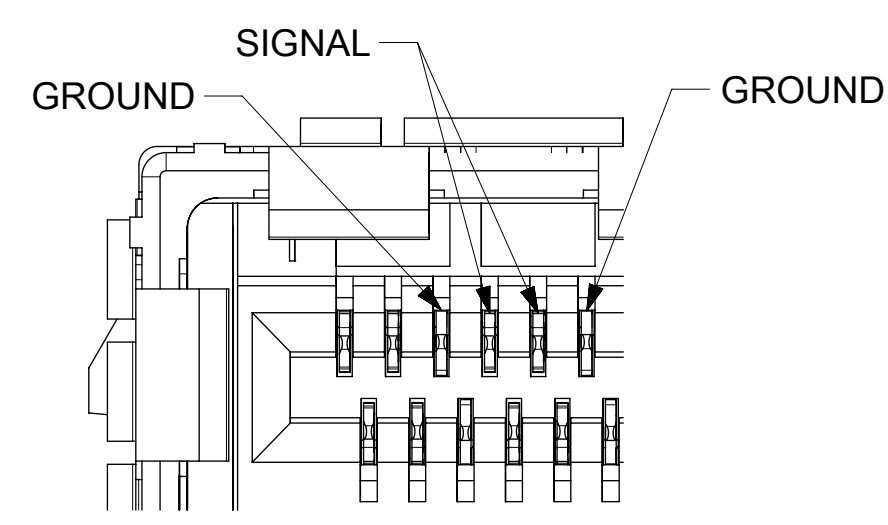


MATERIAL	DESCRIPTION
1731240005	NO COVER
1731240006	WITH COVER

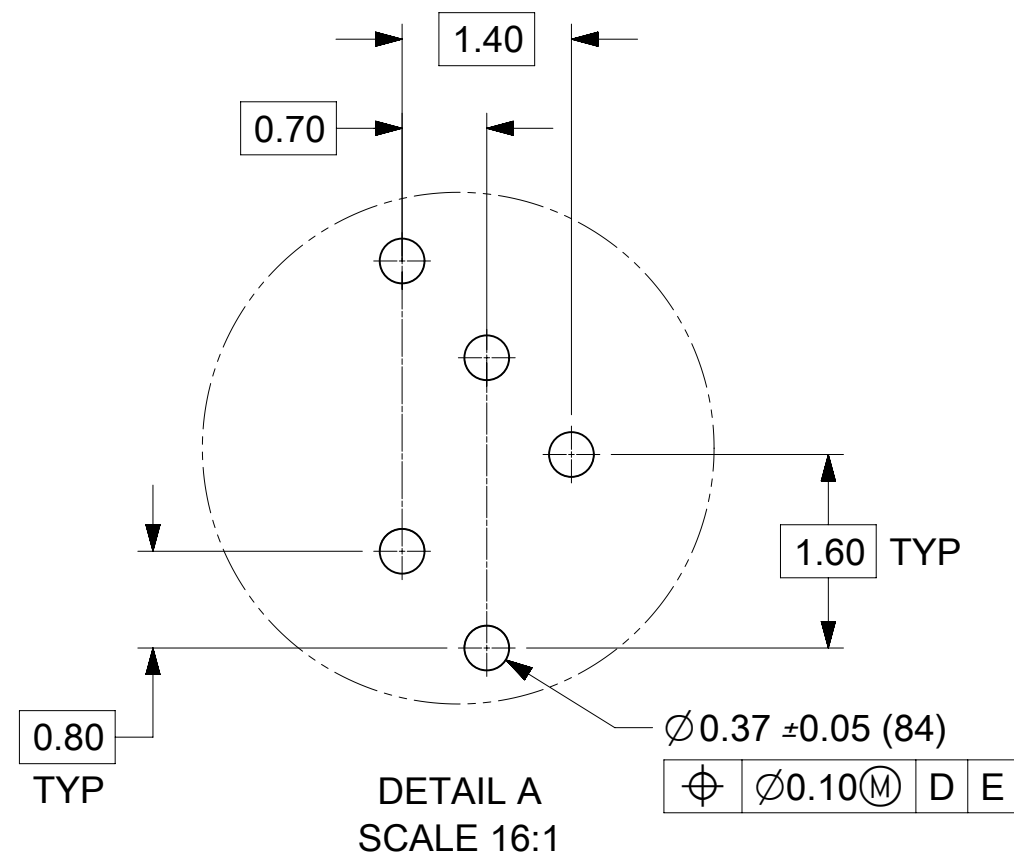
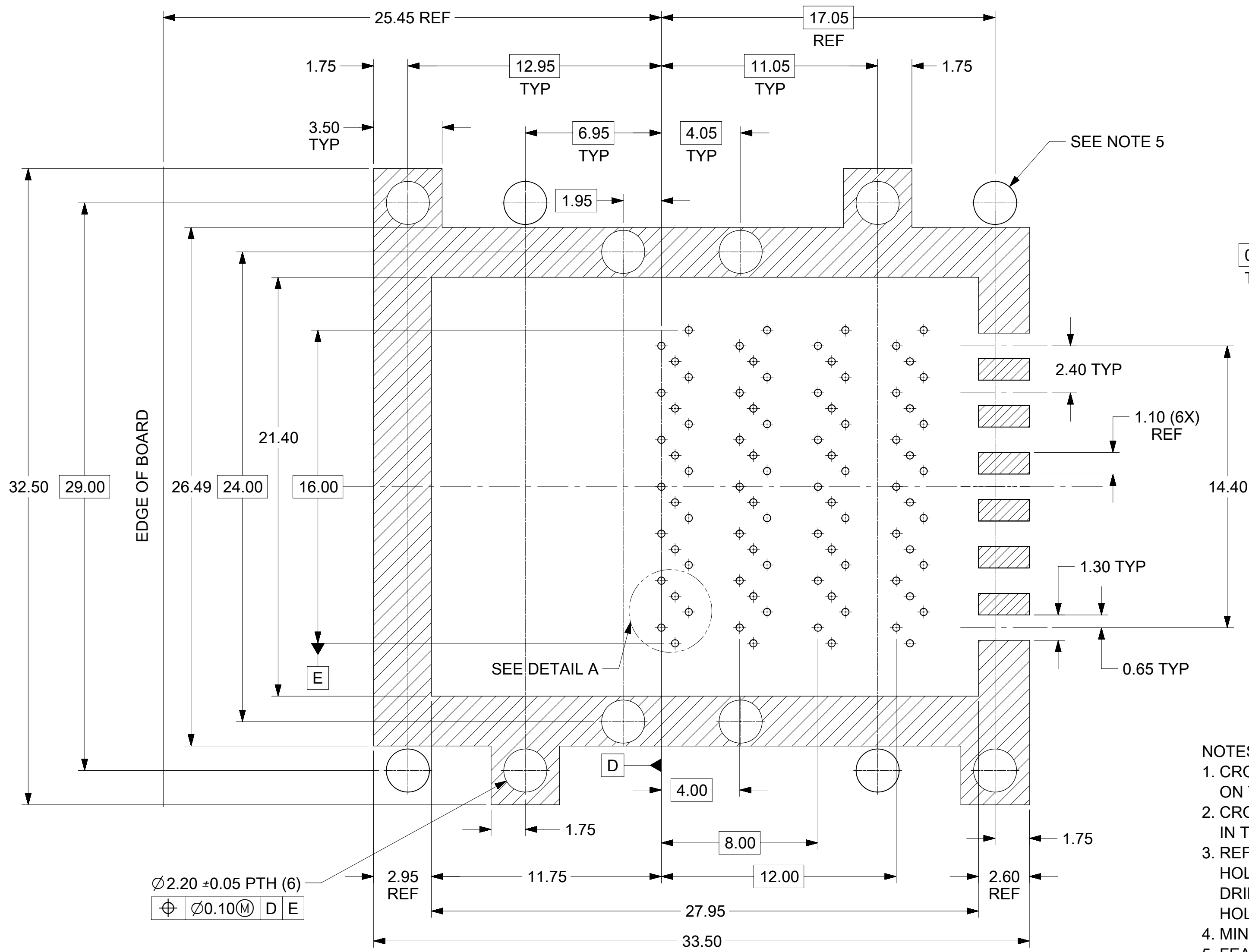


- NOTES:
- MATERIALS:
CONNECTOR HOUSING: HIGH TEMPERATURE THERMOPLASTIC GLASS-FILLED, UL 94V-0
EMI HOUSING: NICKEL PLATED DIE CAST ALLOY
COVER: STAINLESS STEEL
EMI CLIPS: NICKEL PLATED PHOS BRONZE
TERMINALS: COPPER ALLOY
 - PLATING:
CONTACT AREA: 0.76µm MIN. GOLD OVER 2.54µm MIN. NICKEL
TAIL AREA: 0.76µm - 1.52µm TIN OVER 1.27µm MIN NICKEL
 - THIS CONNECTOR IS DESIGNED TO MATE WITH MOLEX CABLE SERIES INDICATED IN THE MOLEX PRODUCT SPEC. PS-173124-0001.
 - REFER TO ROUTING GUIDE AS-173124-0002 FOR PCB TRACE INFORMATION.
 - PACKAGING SPECIFICATION: TRAY PACK PER PK-170501-0001.
 - REFER TO AS-170501-0001 FOR THE APPLICATION SPECIFICATION.
 - MOUNTING HARDWARE REQUIRED: M2x0.4 CAP SCREWS (4)
MOUNTING SCREW LENGTH: BOARD THICKNESS + 4mm MAX
 - THERMAL SOLUTION MUST PROVIDE MODULE GUIDANCE OR MODULE MAY STUB ON CONNECTOR DURING MATING. SAME FUNCTION AS COVER OR HEATSINK.



DETAIL D
SCALE 8:1

SYMBOLS		THIS DRAWING CONTAINS INFORMATION THAT IS PROPRIETARY TO MOLEX ELECTRONIC TECHNOLOGIES, LLC AND SHOULD NOT BE USED WITHOUT WRITTEN PERMISSION	
DIMENSION UNITS	SCALE	CURRENT REV DESC: CORRECT DIMENSIONS	
▽ = 0	mm	EC NO: 617058 DRWN: RCHEN55 2018/11/12 CHK'D: ETSENG 2019/05/10 APPR: RNELSON 2019/05/17	
▽ = 0	GENERAL TOLERANCES (UNLESS SPECIFIED)		
▽ = 0	ANGULAR TOL ± 0.5°	INITIAL REVISION: DRWN: VK10 2017/02/15 APPR: SMILLER 2017/04/17	
▽ = 0	4 PLACES ±		
▽ = 0	3 PLACES ±	SERIES C-SIZE 173124	
▽ = 0	2 PLACES ± 0.25		
▽ = 0	1 PLACE ±	MATERIAL NUMBER SEE TABLE	
▽ = 0	0 PLACES ±		
▽ = 0	DRAFT WHERE APPLICABLE MUST REMAIN WITHIN DIMENSIONS	THIRD ANGLE PROJECTION DRAWING C-SIZE	
▽ = 0			
		DOCUMENT NUMBER SD-173124-0005	
		DOC TYPE PSD	
		DOC PART 000	
		REVISION B	
		CUSTOMER GENERAL MARKET	
		SHEET NUMBER 1 OF 5	

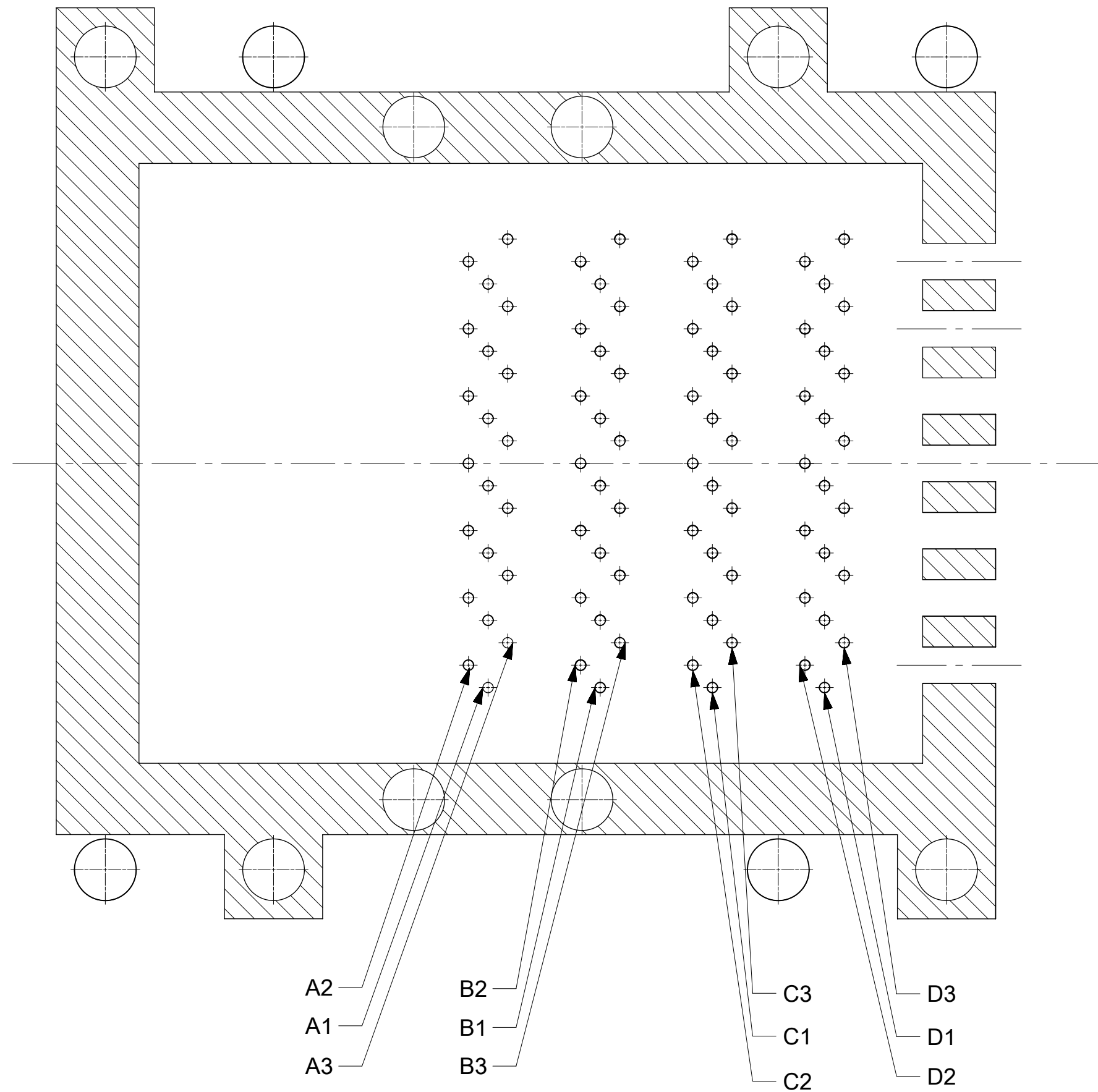
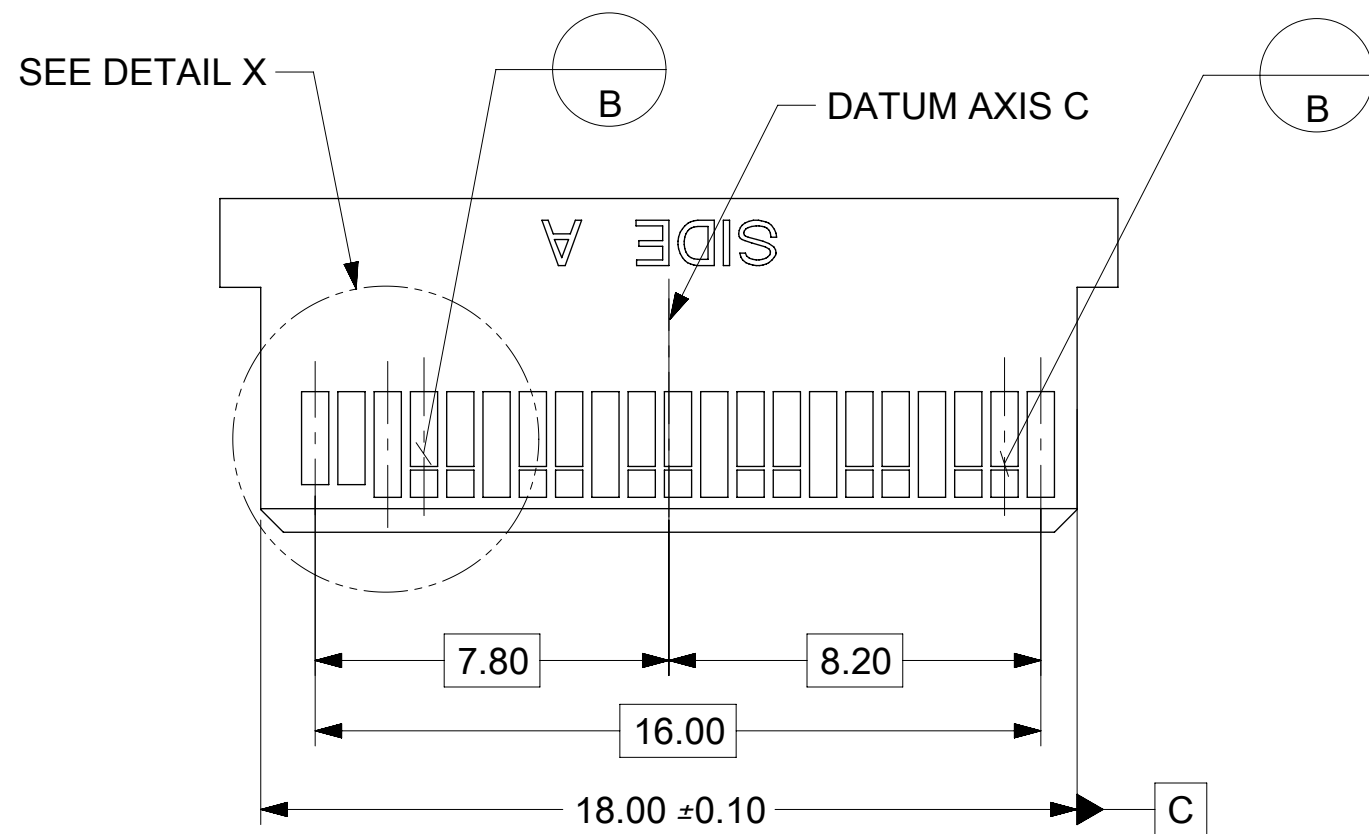
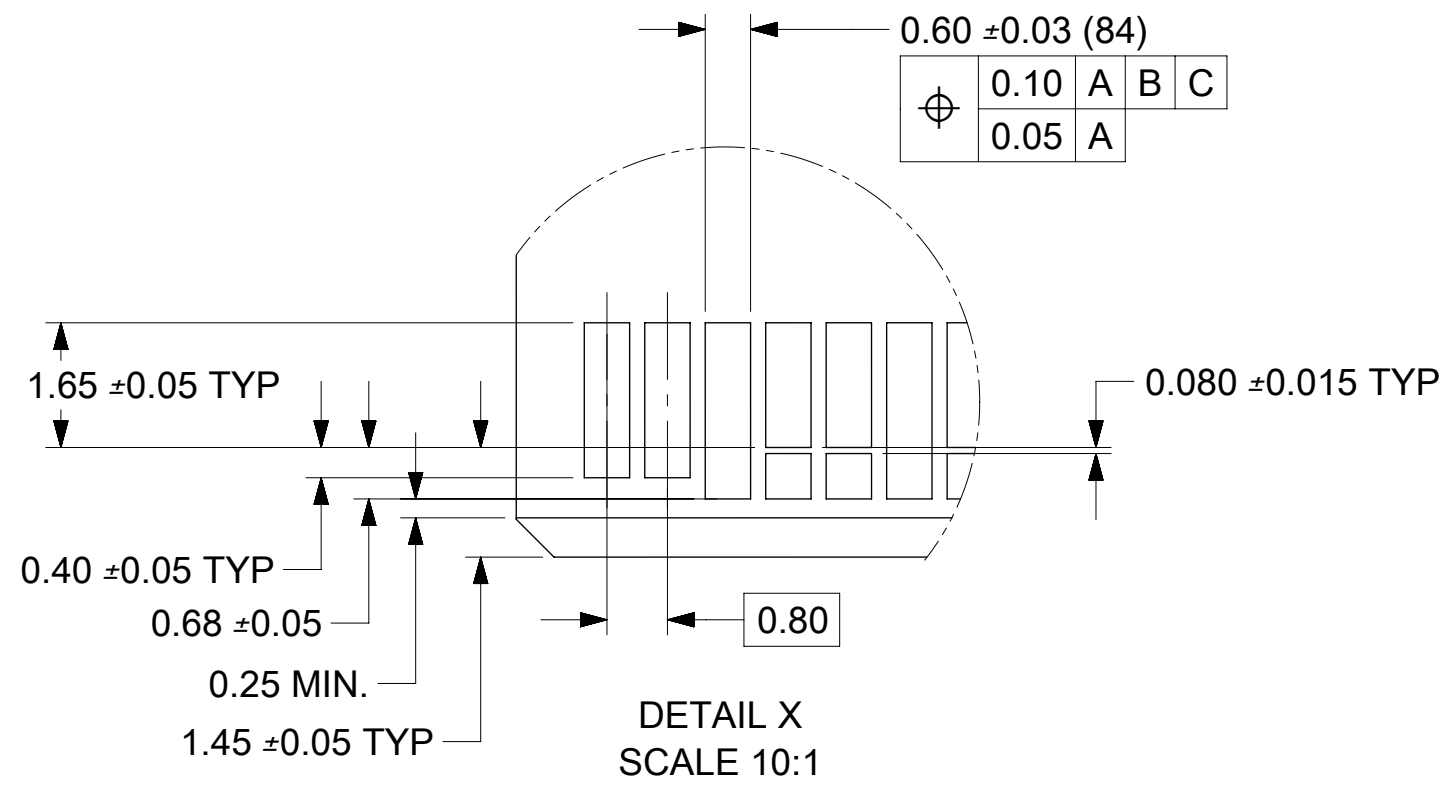
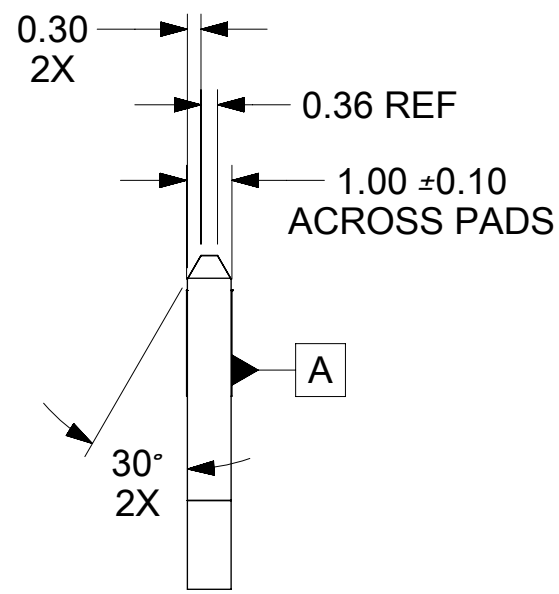
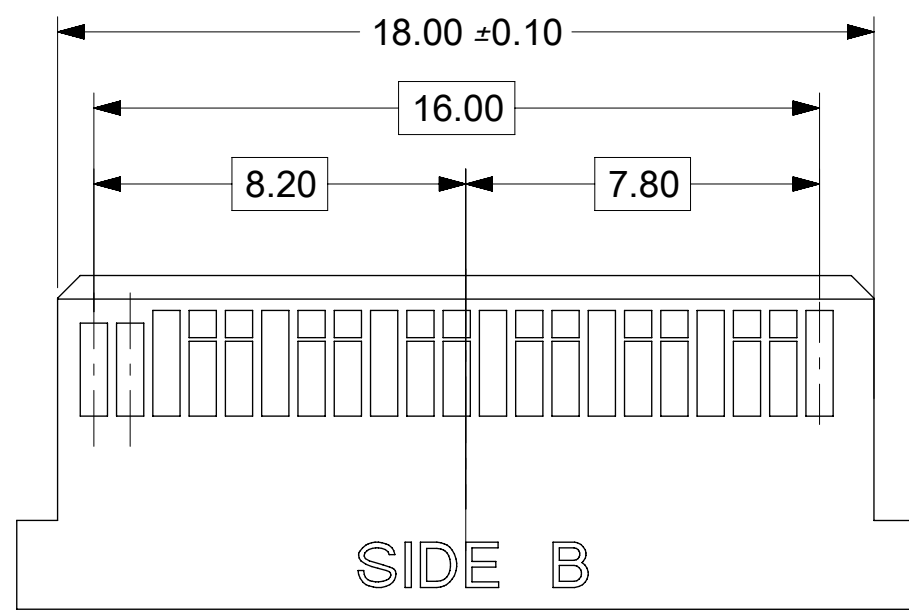


- NOTES:
- CROSS-HATCHED AREA TO BE CONDUCTIVE ON THE PCB.
 - CROSS-HATCHED AREA MUST BE INCORPORATED IN THE FLAT ROCK PRESS-FIT TOOLING.
 - REFER TO THE PLATING DETAIL OF THE COMPLIANT PIN HOLES IN THE APPLICATION SPEC AS-173124-0002 FOR THE DRILL SIZE AND ANNULAR RING FOR THE Ø0.37 FINISHED HOLE.
 - MINIMUM RECOMMENDED SPACING: 29.00
 - FEATURES IN PHANTOM LINES ARE RELATED FOR USE WITH CONNECTOR ASSEMBLY SERIES 173159 FOR GANGED SIDE BY SIDE AND BELLY TO BELLY APPLICATIONS.
 - NO SIGNAL ROUTING ON TOP LAYER.

RECOMMENDED PCB LAYOUT
COMPONENT SIDE SHOWN

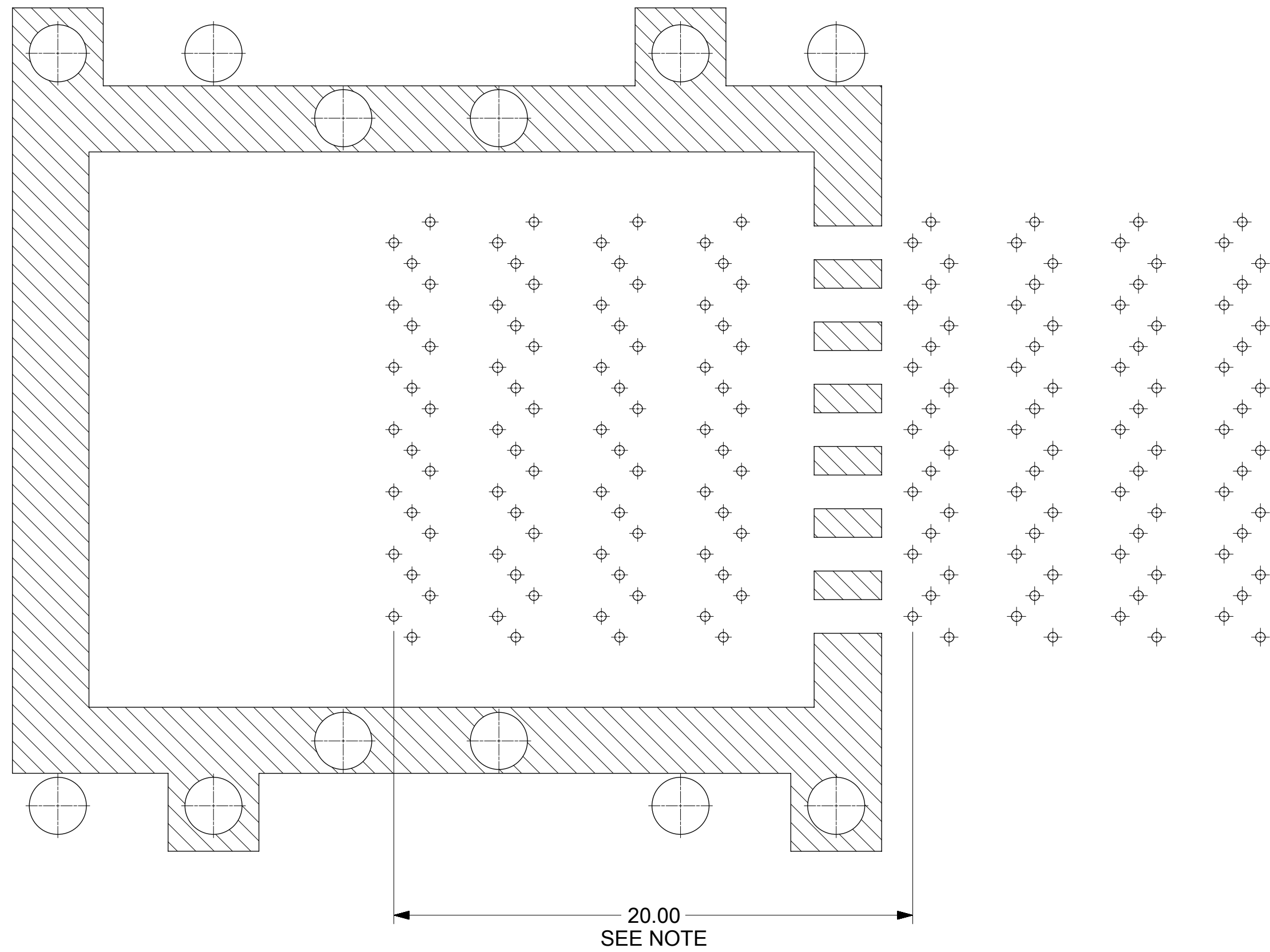
PCB THICKNESS: 1.44mm MIN.

SYMBOLS		THIS DRAWING CONTAINS INFORMATION THAT IS PROPRIETARY TO MOLEX ELECTRONIC TECHNOLOGIES, LLC AND SHOULD NOT BE USED WITHOUT WRITTEN PERMISSION	
▽ = 0	mm	SCALE	CURRENT REV DESC: CORRECT DIMENSIONS
▽ = 0	GENERAL TOLERANCES (UNLESS SPECIFIED)		EC NO: 617058 DRWN: RCHEN55 2018/11/12 CHK'D: ETSENG 2019/05/10 APPR: RNELSON 2019/05/17
▽ = 0	ANGULAR TOL ± 0.5°		
▽ = 0	4 PLACES ±		INITIAL REVISION: DRWN: VK10 2017/02/15 APPR: SMILLER 2017/04/17
▽ = 0	3 PLACES ±		
▽ = 0	2 PLACES ± 0.25		DOCUMENT NUMBER
▽ = 0	1 PLACE ±		SD-173124-0005
▽ = 0	0 PLACES ±		DOC TYPE
▽ = 0	DRAFT WHERE APPLICABLE MUST REMAIN WITHIN DIMENSIONS		PSD
▽ = 0	THIRD ANGLE PROJECTION	DRAWING	DOC PART
▽ = 0	C-SIZE	SERIES	000
▽ = 0	173124	MATERIAL NUMBER	REVISION
▽ = 0	SEE TABLE	CUSTOMER	B
▽ = 0	GENERAL MARKET	SHEET NUMBER	
▽ = 0		2 OF 5	



- NOTES:
- 0.03 MINIMUM KEEP OUT FOR SOLDER MASK AROUND ALL PADS
 - DATUM B TARGETS ARE DEFINED BY THE RESPECTIVE PAD CENTER LINES AND THE LEADING EDGE OF THE TARGET PADS

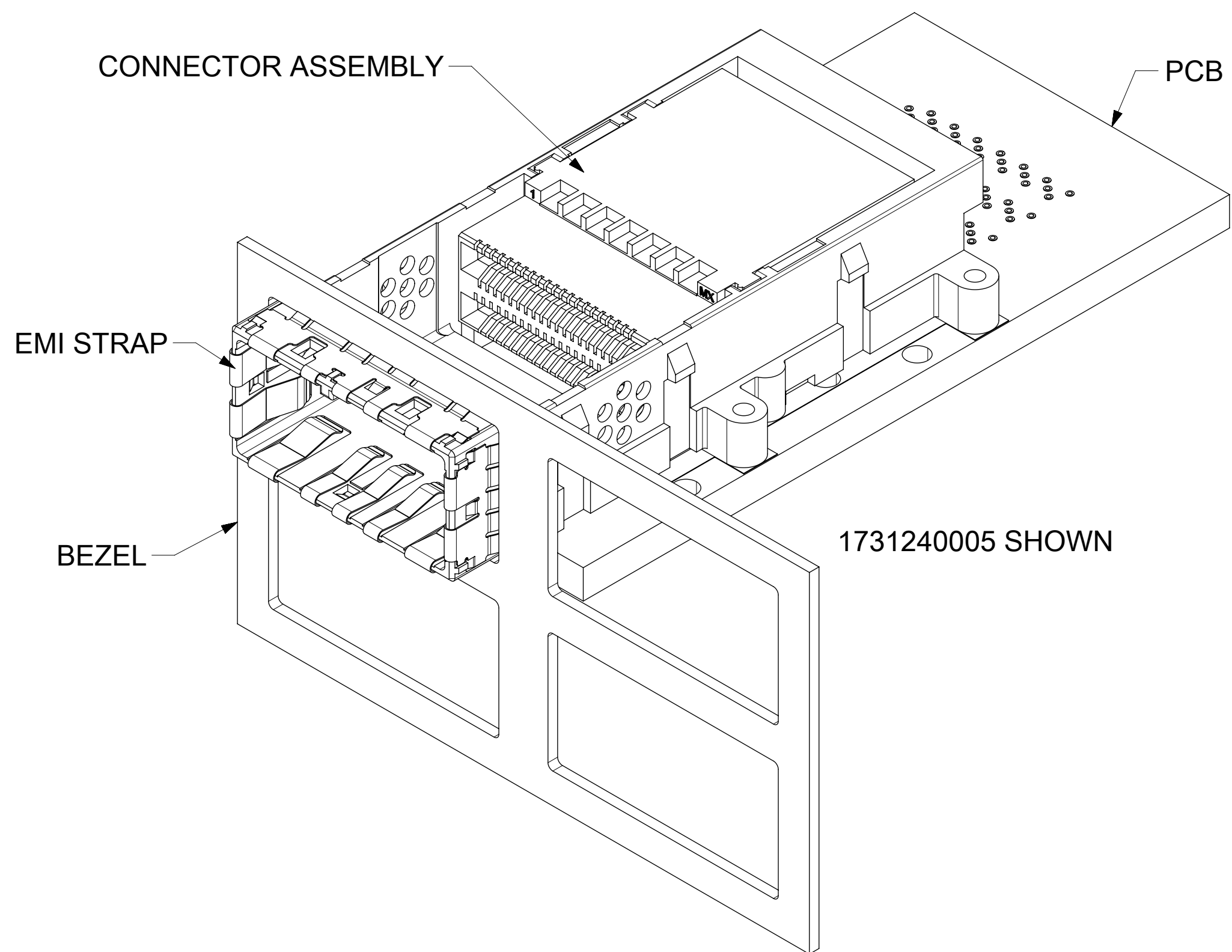
THIS DRAWING CONTAINS INFORMATION THAT IS PROPRIETARY TO MOLEX ELECTRONIC TECHNOLOGIES, LLC AND SHOULD NOT BE USED WITHOUT WRITTEN PERMISSION												
SYMBOLS		DIMENSION UNITS		SCALE		CURRENT REV DESC: CORRECT DIMENSIONS				DOCUMENT NUMBER		
▽ = 0	mm							SD-173124-0005		PSD 000 B		
▽ = 0	GENERAL TOLERANCES (UNLESS SPECIFIED)				EC NO: 617058				2018/11/12		ZCXP BELLY TO BELLY SHORT ASSEMBLY EXTENDED EMI CLIP	
▽ = 0	ANGULAR TOL ± 0.5°				DRWN: RCHEN55				2019/05/10		PRODUCT CUSTOMER DRAWING	
▽ = 0	4 PLACES ±				CHK'D: ETSENG				2019/05/17		INITIAL REVISION:	
▽ = 0	3 PLACES ±				APPR: RNELSON				2017/02/15		DRWN: VK10	
▽ = 0	2 PLACES ± 0.25				APPR: SMILLER				2017/04/17		MATERIAL NUMBER	
▽ = 0	1 PLACE ±				THIRD ANGLE PROJECTION				DRAWING		SERIES	
▽ = 0	0 PLACES ±				C-SIZE				173124		CUSTOMER	
▽ = 0	DRAFT WHERE APPLICABLE MUST REMAIN WITHIN DIMENSIONS				SEE TABLE				GENERAL MARKET		SHEET NUMBER	
▽ = 0					3 OF 5							



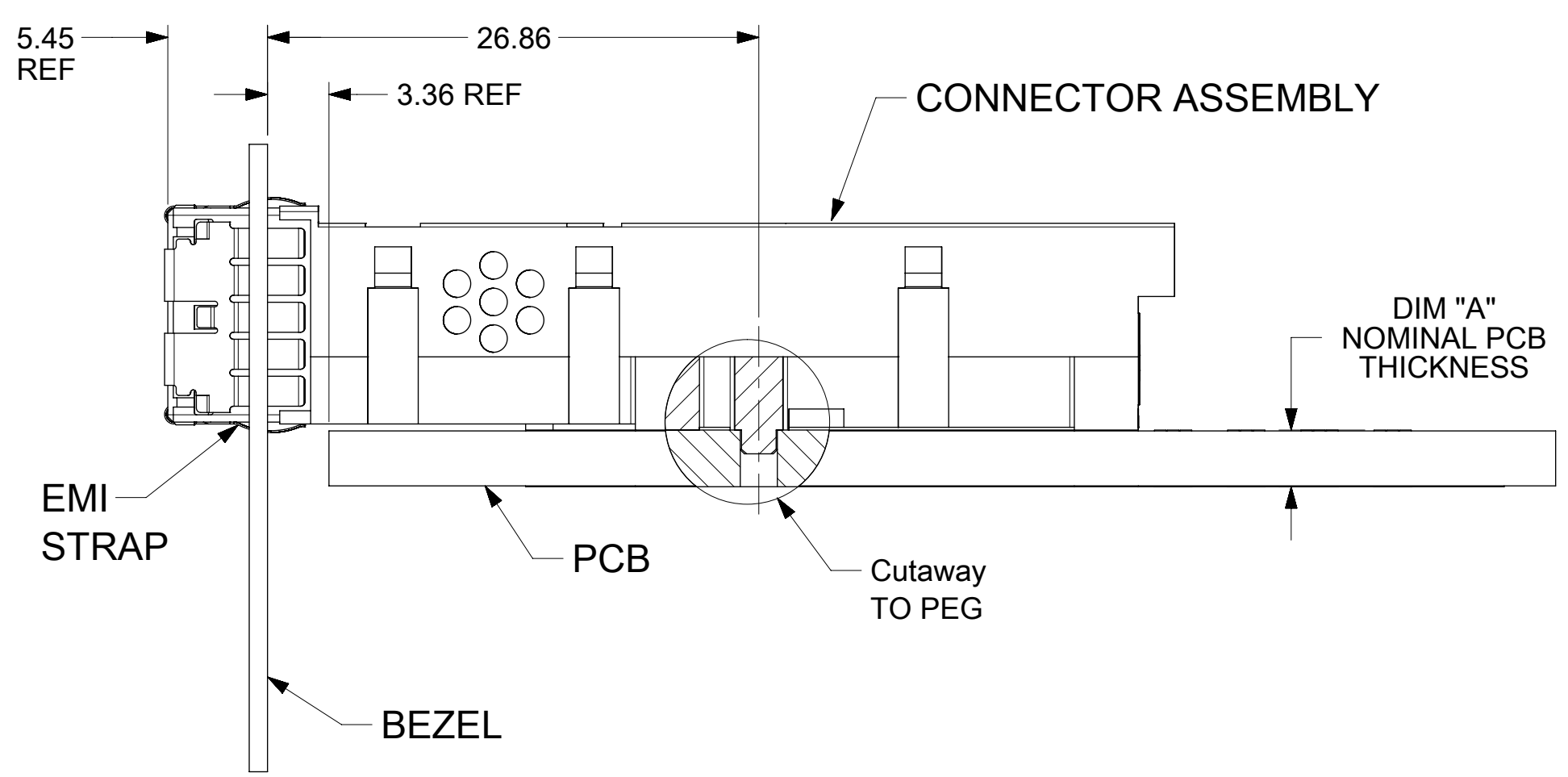
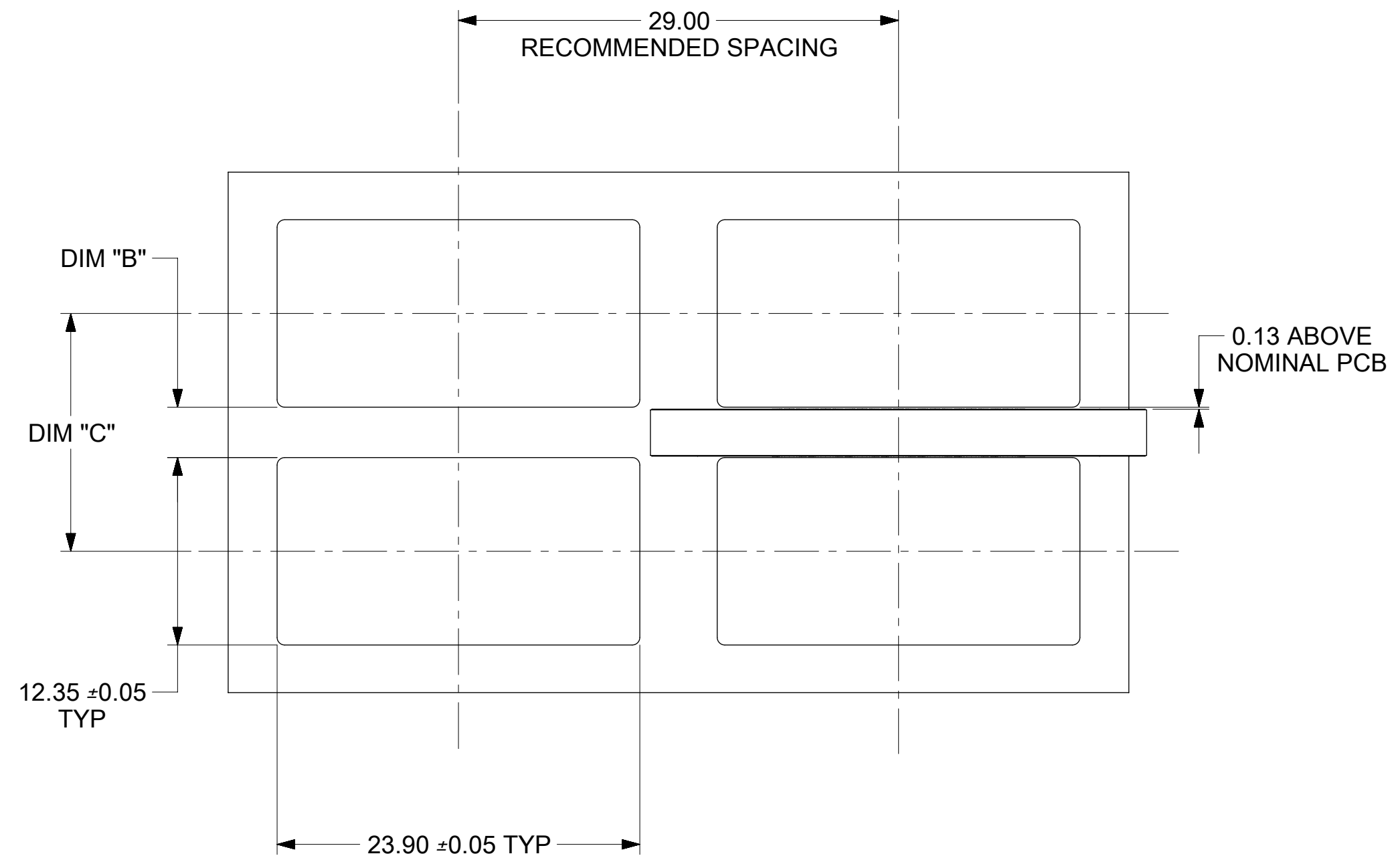
NOTE:
1. WHEN USED WITH CONNECTOR SERIES 173159
VIA PATTERN WILL APPEAR AS SHOWN.

THIS DRAWING CONTAINS INFORMATION THAT IS PROPRIETARY TO MOLEX ELECTRONIC TECHNOLOGIES, LLC AND SHOULD NOT BE USED WITHOUT WRITTEN PERMISSION											
SYMBOLS		DIMENSION UNITS		SCALE		CURRENT REV DESC: CORRECT DIMENSIONS					
= 0		mm				EC NO: 617058					
= 0		GENERAL TOLERANCES (UNLESS SPECIFIED)				DRWN: RCHEN55 2018/11/12				ZCXP BELLY TO BELLY SHORT ASSEMBLY EXTENDED EMI CLIP	
= 0		ANGULAR TOL ± 0.5°				CHK'D: ETSENG 2019/05/10					
= 0		4 PLACES ±				APPR: RNELSON 2019/05/17				PRODUCT CUSTOMER DRAWING	
= 0		3 PLACES ±				INITIAL REVISION:					
= 0		2 PLACES ± 0.25				DRWN: VK10 2017/02/15				DOCUMENT NUMBER	
= 0		1 PLACE ±				APPR: SMILLER 2017/04/17				SD-173124-0005	
= 0		0 PLACES ±				THIRD ANGLE PROJECTION		DRAWING		DOC TYPE DOC PART REVISION	
= 0		DRAFT WHERE APPLICABLE MUST REMAIN WITHIN DIMENSIONS				C-SIZE		SERIES		MATERIAL NUMBER CUSTOMER SHEET NUMBER	
= 0								173124		SEE TABLE GENERAL MARKET 4 OF 5	

DIM "A"	DIM "B"	DIM "C"	MINIMUM PCB
3.10	3.32	15.67	10% NOM THK
1.60	1.82	14.17	1.44
2.80	3.02	15.37	10% NOM THK



NOTE: WITH 1.44 MINIMUM PCB THICKNESS, WILL NOT SUPPORT PLUGS WITH GREATER THAN 28 AWG CABLE.



SYMBOLS										THIS DRAWING CONTAINS INFORMATION THAT IS PROPRIETARY TO MOLEX ELECTRONIC TECHNOLOGIES, LLC AND SHOULD NOT BE USED WITHOUT WRITTEN PERMISSION																	
▽ = 0	▽ = 0	▽ = 0	▽ = 0	▽ = 0	▽ = 0	▽ = 0	▽ = 0	▽ = 0	▽ = 0	DIMENSION UNITS		SCALE		CURRENT REV DESC: CORRECT DIMENSIONS													
▽ = 0	▽ = 0	▽ = 0	▽ = 0	▽ = 0	▽ = 0	▽ = 0	▽ = 0	▽ = 0	▽ = 0	mm				<p>molex</p> <p>ZCXP BELLY TO BELLY SHORT ASSEMBLY EXTENDED EMI CLIP</p> <p>PRODUCT CUSTOMER DRAWING</p> <p>EC NO: 617058 DRWN: RCHEN55 2018/11/12 CHK'D: ETSENG 2019/05/10 APPR: RNELSON 2019/05/17</p> <p>INITIAL REVISION: DRWN: VK10 2017/02/15 APPR: SMILLER 2017/04/17</p>													
▽ = 0	▽ = 0	▽ = 0	▽ = 0	▽ = 0	▽ = 0	▽ = 0	▽ = 0	▽ = 0	▽ = 0	GENERAL TOLERANCES (UNLESS SPECIFIED)										DOCUMENT NUMBER		DOC TYPE		DOC PART		REVISION	
▽ = 0	▽ = 0	▽ = 0	▽ = 0	▽ = 0	▽ = 0	▽ = 0	▽ = 0	▽ = 0	▽ = 0	ANGULAR TOL ± 0.5°										SD-173124-0005		PSD		000		B	
▽ = 0	▽ = 0	▽ = 0	▽ = 0	▽ = 0	▽ = 0	▽ = 0	▽ = 0	▽ = 0	▽ = 0	4 PLACES ±										MATERIAL NUMBER		CUSTOMER				SHEET NUMBER	
▽ = 0	▽ = 0	▽ = 0	▽ = 0	▽ = 0	▽ = 0	▽ = 0	▽ = 0	▽ = 0	▽ = 0	3 PLACES ±				SEE TABLE		GENERAL MARKET				5 OF 5							
▽ = 0	▽ = 0	▽ = 0	▽ = 0	▽ = 0	▽ = 0	▽ = 0	▽ = 0	▽ = 0	▽ = 0	2 PLACES ± 0.25																	
▽ = 0	▽ = 0	▽ = 0	▽ = 0	▽ = 0	▽ = 0	▽ = 0	▽ = 0	▽ = 0	▽ = 0	1 PLACE ±																	
▽ = 0	▽ = 0	▽ = 0	▽ = 0	▽ = 0	▽ = 0	▽ = 0	▽ = 0	▽ = 0	▽ = 0	0 PLACES ±																	
▽ = 0	▽ = 0	▽ = 0	▽ = 0	▽ = 0	▽ = 0	▽ = 0	▽ = 0	▽ = 0	▽ = 0	DRAFT WHERE APPLICABLE MUST REMAIN WITHIN DIMENSIONS		THIRD ANGLE PROJECTION		DRAWING		SERIES											
▽ = 0	▽ = 0	▽ = 0	▽ = 0	▽ = 0	▽ = 0	▽ = 0	▽ = 0	▽ = 0	▽ = 0			C-SIZE		173124													