



Push-in lug size S00/S0

General technical data

product brand name		SIRIUS
product designation		Push-in lugs for screw mounting
design of the product		Can be used for 3UF71.0, 3UF71.1 and 3UF71.2
ambient temperature		
• during operation	°C	-20 ... +70
• during storage	°C	-50 ... +80

Installation/ mounting/ dimensions

fastening method		clip-on
width	mm	10
height	mm	27
depth	mm	4.7

Certificates/ approvals

certificate of suitability	CE / UL / CSA / CCC		
General Product Approval	Declaration of Conformity	Test Certificates	Shipping Approval



[Miscellaneous](#)

[Type Test Certificates/Test Report](#)

[Special Test Certificate](#)



Shipping Approval **other**



[Confirmation](#)

other



Further information

Information- and Downloadcenter (Catalogs, Brochures,...)

<https://www.siemens.com/ic10>

Industry Mall (Online ordering system)

<https://mall.industry.siemens.com/mall/en/en/Catalog/product?mlfb=3RV2928-0B>

Cax online generator

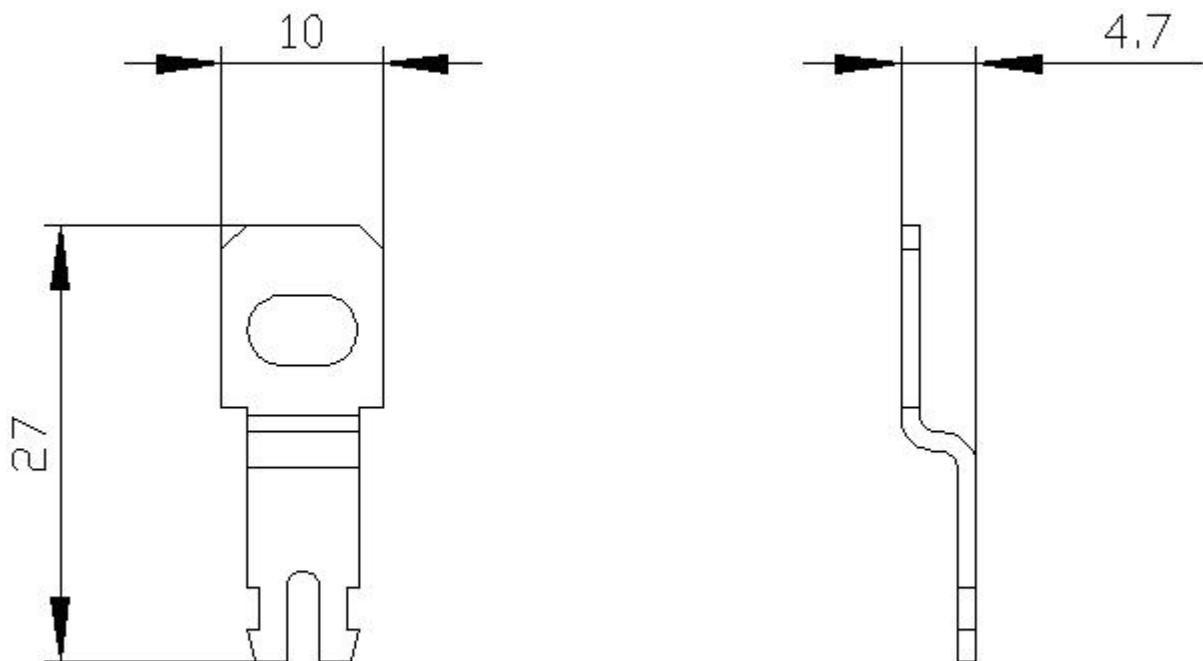
<http://support.automation.siemens.com/WW/CAXorder/default.aspx?lang=en&mlfb=3RV2928-0B>

Service&Support (Manuals, Certificates, Characteristics, FAQs,...)

<https://support.industry.siemens.com/cs/ww/en/ps/3RV2928-0B>

Image database (product images, 2D dimension drawings, 3D models, device circuit diagrams, EPLAN macros, ...)

http://www.automation.siemens.com/bilddb/cax_de.aspx?mlfb=3RV2928-0B&lang=en



last modified:

5/15/2020 