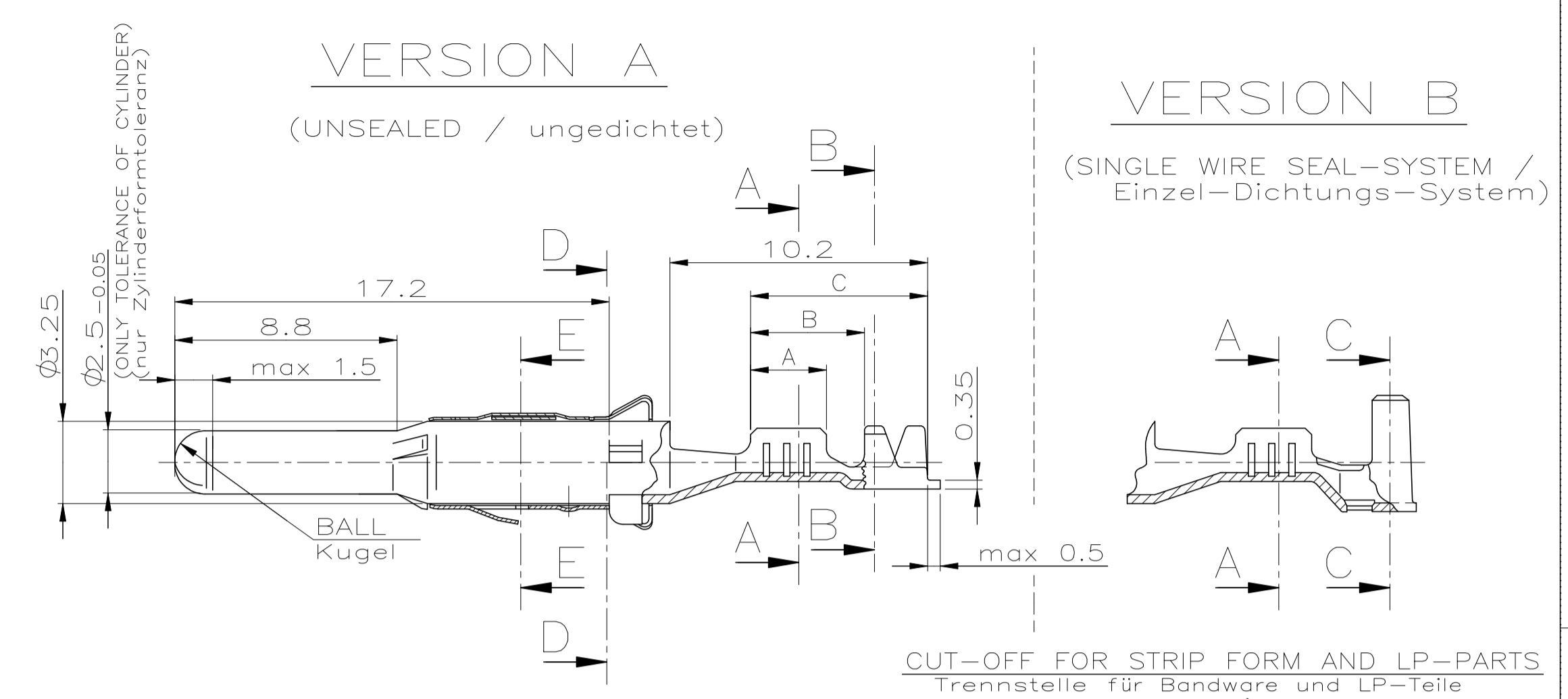
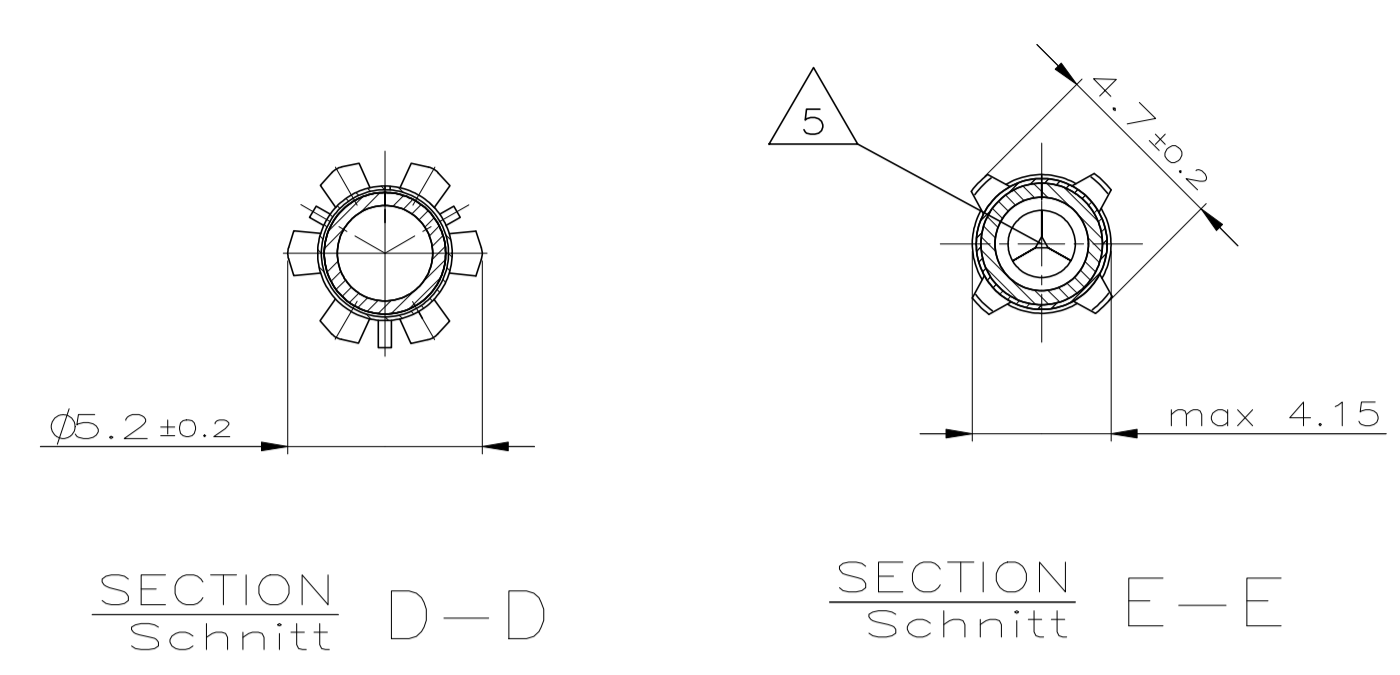


LOC	DIST	REV	DESCRIPTION	DATE	DM	APD
A1	-	-	REVISED PER ECR-11-025934	28DEC11	RK	HMR
A5	-	-	E-23-173042	20APR2023	SH	MC



Version B (SINGLE WIRE SEAL-SYSTEM / Einzel-Dichtungs-System)

TE CONNECTIVITY ORDER-Nr.	TE CONNECTIVITY ORDER-Nr.	MATERIAL	SURFACE	DGB	WIRE CRIMP	NSUL.-CRIMP	WIRE CRIMP HEIGHT CH	APPLICATION TOOL	HAND TOOL	A	B	C	TE CONNECTIVITY ORDER-Nr.	TE CONNECTIVITY ORDER-Nr.
1-962800-4	1-962973-4	CuNiSi	FLR	>2.5-4.0	E = 4.3 G = 4.5 D <sub>cr</sub> = 2.4	H = 5.4 K = 5.9 D = 3.9	4.0mm <sup>2</sup> = 2.30 3.0mm <sup>2</sup> = 2.05	MQC-Applicator 4151297-X	-	4	6.9	8.5	828985-1	-
1-929968-4	1-962972-4	CuNiSi	FLR	>1.0-2.5	E = 3.6 G = 3.8 D <sub>cr</sub> = 1.7	H = 5.0 K = 5.0 D = 3.6	2.5mm <sup>2</sup> = 1.97 2.0mm <sup>2</sup> = 1.82 1.5mm <sup>2</sup> = 1.67	MQC-Applicator 2-878486-2 2151345	539679-2 1579024-5	4	6.9	8.5	828921-1	828922-1
1-929967-4	1-962971-4	CuNiSi	FLR	0.5-1.0	E = 2.6 G = 2.8 D <sub>cr</sub> = 1.1	H = 4.8 K = 4.8 D = 3.2	1.0mm <sup>2</sup> = 1.45 0.75mm <sup>2</sup> = 1.36 0.5mm <sup>2</sup> = 1.27	MQC-Applicator 2-878485-2 2151139	734289-1 1579024-3	3	5.4	7	828920-1	828922-1
1-929966-4	1-962970-4	CuNiSi	FLR	0.2-0.4	E = 2.1 G = 2.1 D <sub>cr</sub> = 0.8	H = 4.5 K = 4.5 D = 3.2	0.35mm <sup>2</sup> = 1.11	MQC-Applicator 2-878484-2 2151732	734289-1 1579024-3	3	5.4	7	828920-1	828922-1

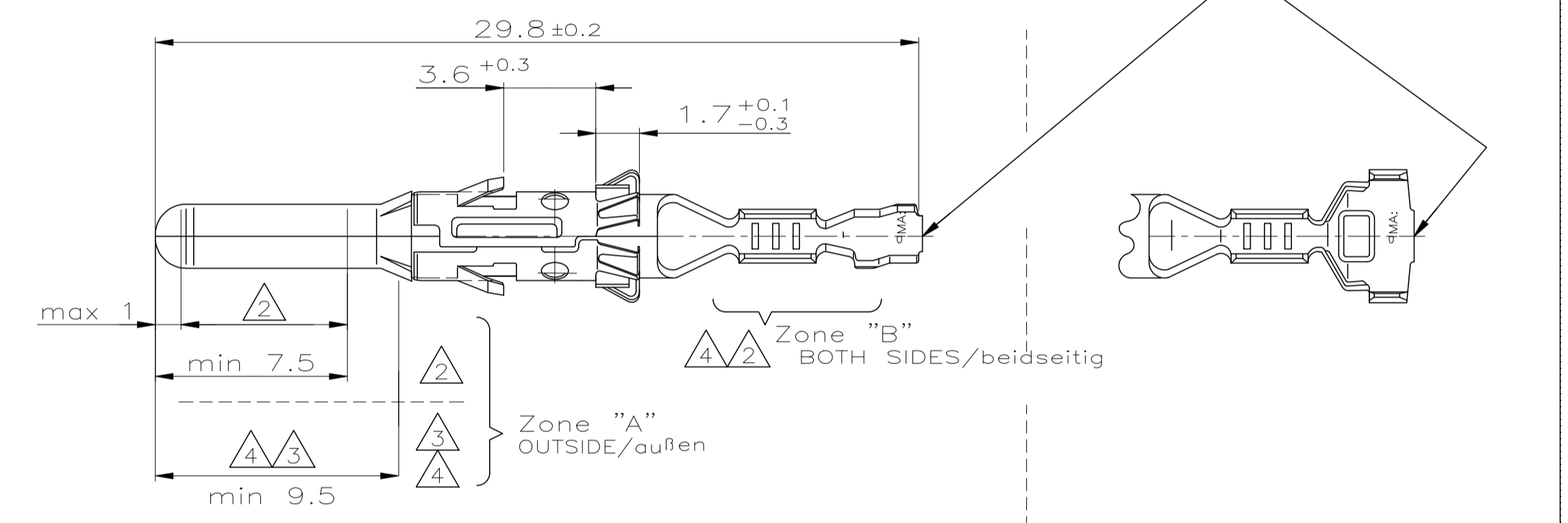
TE CONNECTIVITY ORDER-Nr.	TE CONNECTIVITY ORDER-Nr.	MATERIAL	SURFACE	DGB	WIRE CRIMP	NSUL.-CRIMP	WIRE CRIMP HEIGHT CH	APPLICATION TOOL	HAND TOOL	A	B	C	TE CONNECTIVITY ORDER-Nr.	TE CONNECTIVITY ORDER-Nr.
1-929965-4	1-962969-4	CuNiSi	FLR	>2.5-4.0	E = 4.3 G = 4.5 D <sub>cr</sub> = 2.4	H = 5.4 K = 5.6 D = 3.2	4.0mm <sup>2</sup> = 2.30 3.0mm <sup>2</sup> = 2.05	MQC-Applicator 2-878483-2 2836098	734285-3 734289-3	4	5.5	8.5	-	-
1-929964-4	1-962968-4	CuNiSi	FLR	>1.0-2.5	E = 3.6 G = 3.8 D <sub>cr</sub> = 1.7	H = 4.3 K = 4.5 D = 2.6	2.5mm <sup>2</sup> = 1.97 2.0mm <sup>2</sup> = 1.82 1.5mm <sup>2</sup> = 1.67 1.25mm <sup>2</sup> = 1.60	MQC-Applicator 2-878482-2 2266503	734285-2	4	5.5	8.5	-	-
1-929963-4	1-962967-4	CuNiSi	FLR	0.5-1.0	E = 2.6 G = 2.8 D <sub>cr</sub> = 1.1	H = 3.2 K = 3.4 D = 1.8	1.0mm <sup>2</sup> = 1.45 0.75mm <sup>2</sup> = 1.36 0.5mm <sup>2</sup> = 1.27	MQC-Applicator 2-878481-2 2266254	734285-1 2-1579024-5	3	4.5	7	-	-
1-929962-4	1-962966-4	CuNiSi	FLR	0.2-0.4	E = 2.1 G = 2.1 D <sub>cr</sub> = 0.8	H = 2.5 K = 2.5 D = 1.4	0.35mm <sup>2</sup> = 1.11 0.25mm <sup>2</sup> = 1.07 0.2mm <sup>2</sup> = 1.05	MQC-Applicator 2-878480-2 2836097	734285-1 2-1579024-4	3	4.5	7	-	-

TE CONNECTIVITY ORDER-Nr.	TE CONNECTIVITY ORDER-Nr.	MATERIAL	SURFACE	DGB	WIRE CRIMP	NSUL.-CRIMP	WIRE CRIMP HEIGHT CH	APPLICATION TOOL	HAND TOOL	A	B	C	TE CONNECTIVITY ORDER-Nr.	TE CONNECTIVITY ORDER-Nr.
1-929965-4	1-962969-4	CuNiSi	FLR	>2.5-4.0	E = 4.3 G = 4.5 D <sub>cr</sub> = 2.4	H = 5.4 K = 5.6 D = 3.2	4.0mm <sup>2</sup> = 2.30 3.0mm <sup>2</sup> = 2.05	MQC-Applicator 2-878483-2 2836098	734285-3 734289-3	4	5.5	8.5	-	-
1-929964-4	1-962968-4	CuNiSi	FLR	>1.0-2.5	E = 3.6 G = 3.8 D <sub>cr</sub> = 1.7	H = 4.3 K = 4.5 D = 2.6	2.5mm <sup>2</sup> = 1.97 2.0mm <sup>2</sup> = 1.82 1.5mm <sup>2</sup> = 1.67 1.25mm <sup>2</sup> = 1.60	MQC-Applicator 2-878482-2 2266503	734285-2	4	5.5	8.5	-	-
1-929963-4	1-962967-4	CuNiSi	FLR	0.5-1.0	E = 2.6 G = 2.8 D <sub>cr</sub> = 1.1	H = 3.2 K = 3.4 D = 1.8	1.0mm <sup>2</sup> = 1.45 0.75mm <sup>2</sup> = 1.36 0.5mm <sup>2</sup> = 1.27	MQC-Applicator 2-878481-2 2266254	734285-1 2-1579024-5	3	4.5	7	-	-
1-929962-4	1-962966-4	CuNiSi	FLR	0.2-0.4	E = 2.1 G = 2.1 D <sub>cr</sub> = 0.8	H = 2.5 K = 2.5 D = 1.4	0.35mm <sup>2</sup> = 1.11 0.25mm <sup>2</sup> = 1.07 0.2mm <sup>2</sup> = 1.05	MQC-Applicator 2-878480-2 2836097	734285-1 2-1579024-4	3	4.5	7	-	-

TE CONNECTIVITY ORDER-Nr.	TE CONNECTIVITY ORDER-Nr.	MATERIAL	SURFACE	DGB	WIRE CRIMP	NSUL.-CRIMP	WIRE CRIMP HEIGHT CH	APPLICATION TOOL	HAND TOOL	A	B	C	TE CONNECTIVITY ORDER-Nr.	TE CONNECTIVITY ORDER-Nr.
1-929965-4	1-962969-4	CuNiSi	FLR	>2.5-4.0	E = 4.3 G = 4.5 D <sub>cr</sub> = 2.4	H = 5.4 K = 5.6 D = 3.2	4.0mm <sup>2</sup> = 2.30 3.0mm <sup>2</sup> = 2.05	MQC-Applicator 2-878483-2 2836098	734285-3 734289-3	4	5.5	8.5	-	-
1-929964-4	1-962968-4	CuNiSi	FLR	>1.0-2.5	E = 3.6 G = 3.8 D <sub>cr</sub> = 1.7	H = 4.3 K = 4.5 D = 2.6	2.5mm <sup>2</sup> = 1.97 2.0mm <sup>2</sup> = 1.82 1.5mm <sup>2</sup> = 1.67 1.25mm <sup>2</sup> = 1.60	MQC-Applicator 2-878482-2 2266503	734285-2	4	5.5	8.5	-	-
1-929963-4	1-962967-4	CuNiSi	FLR	0.5-1.0	E = 2.6 G = 2.8 D <sub>cr</sub> = 1.1	H = 3.2 K = 3.4 D = 1.8	1.0mm <sup>2</sup> = 1.45 0.75mm <sup>2</sup> = 1.36 0.5mm <sup>2</sup> = 1.27	MQC-Applicator 2-878481-2 2266254	734285-1 2-1579024-5	3	4.5	7	-	-
1-929962-4	1-962966-4	CuNiSi	FLR	0.2-0.4	E = 2.1 G = 2.1 D <sub>cr</sub> = 0.8	H = 2.5 K = 2.5 D = 1.4	0.35mm <sup>2</sup> = 1.11 0.25mm <sup>2</sup> = 1.07 0.2mm <sup>2</sup> = 1.05	MQC-Applicator 2-878480-2 2836097	734285-1 2-1579024-4	3	4.5	7	-	-

TE CONNECTIVITY ORDER-Nr.	TE CONNECTIVITY ORDER-Nr.	MATERIAL	SURFACE	DGB	WIRE CRIMP	NSUL.-CRIMP	WIRE CRIMP HEIGHT CH	APPLICATION TOOL	HAND TOOL	A	B	C	TE CONNECTIVITY ORDER-Nr.	TE CONNECTIVITY ORDER-Nr.
1-929965-4	1-962969-4	CuNiSi	FLR	>2.5-4.0	E = 4.3 G = 4.5 D <sub>cr</sub> = 2.4	H = 5.4 K = 5.6 D = 3.2	4.0mm <sup>2</sup> = 2.30 3.0mm <sup>2</sup> = 2.05	MQC-Applicator 2-878483-2 2836098	734285-3 734289-3	4	5.5	8.5	-	-
1-929964-4	1-962968-4	CuNiSi	FLR	>1.0-2.5	E = 3.6 G = 3.8 D <sub>cr</sub> = 1.7	H = 4.3 K = 4.5 D = 2.6	2.5mm <sup>2</sup> = 1.97 2.0mm <sup>2</sup> = 1.82 1.5mm <sup>2</sup> = 1.67 1.25mm <sup>2</sup> = 1.60	MQC-Applicator 2-878482-2 2266503	734285-2	4	5.5	8.5	-	-
1-929963-4	1-962967-4	CuNiSi	FLR	0.5-1.0	E = 2.6 G = 2.8 D <sub>cr</sub> = 1.1	H = 3.2 K = 3.4 D = 1.8	1.0mm <sup>2</sup> = 1.45 0.75mm <sup>2</sup> = 1.36 0.5mm <sup>2</sup> = 1.27	MQC-Applicator 2-878481-2 2266254	734285-1 2-1579024-5	3	4.5	7	-	-
1-929962-4	1-962966-4	CuNiSi	FLR	0.2-0.4	E = 2.1 G = 2.1 D <sub>cr</sub> = 0.8	H = 2.5 K = 2.5 D = 1.4	0.35mm <sup>2</sup> = 1.11 0.25mm <sup>2</sup> = 1.07 0.2mm <sup>2</sup> = 1.05	MQC-Applicator 2-878480-2 2836097	734285-1 2-1579024-4	3	4.5	7	-	-

TE CONNECTIVITY ORDER-Nr.	TE CONNECTIVITY ORDER-Nr.	MATERIAL	SURFACE	DGB	WIRE CRIMP	NSUL.-CRIMP	WIRE CRIMP HEIGHT CH	APPLICATION TOOL	HAND TOOL	A	B	C	TE CONNECTIVITY ORDER-Nr.	TE CONNECTIVITY ORDER-Nr.
1-929965-4	1-962969-4	CuNiSi	FLR	>2.5-4.0	E = 4.3 G = 4.5 D <sub>cr</sub> = 2.4	H = 5.4 K = 5.6 D = 3.2	4.0mm <sup>2</sup> = 2.30 3.0mm <sup>2</sup> = 2.05	MQC-Applicator 2-878483-2 2836098	734285-3 734289-3	4	5.5	8.5	-	-
1-929964-4	1-962968-4	CuNiSi	FLR	>1.0-2.5	E = 3.6 G = 3.8 D <sub>cr</sub> = 1.7	H = 4.3 K = 4.5 D = 2.6	2.5mm <sup>2</sup> = 1.97 2.0mm <sup>2</sup> = 1.82 1.5mm <sup>2</sup> = 1.67 1.25mm <sup>2</sup> = 1.60	MQC-Applicator 2-878482-2 2266503	734285-2	4	5.5	8.5	-	-
1-929963-4	1-962967-4	CuNiSi	FLR	0.5-1.0	E = 2.6 G = 2.8 D <sub>cr</sub> = 1.1	H = 3.2 K = 3.4 D = 1.8	1.0mm <sup>2</sup> = 1.45 0.75mm <sup>2</sup> = 1.36 0.5mm <sup>2</sup> = 1.27	MQC-Applicator 2-878481-2 2266254	734285-1 2-1579024-5	3	4.5	7	-	-
1-929962-4	1-962966-4	CuNiSi	FLR	0.2-0.4	E = 2.1 G = 2.1 D <sub>cr</sub> = 0.8	H = 2.5 K = 2.5 D = 1.4	0.35mm <sup>2</sup> = 1.11 0.25mm <sup>2</sup> = 1.07 0.2mm <sup>2</sup> = 1.05	MQC-Applicator 2-878480-2 2836097	734285-1 2-1579024-4	3	4.5	7	-	-



- REMARKS**  
Bemerkungen
- 1. **PRE TINNED** 1-2µm  
vorverzinnt
  - 2. **ZONE "A": MIN 0.8µm ELECTROPL. Au OVER MIN 1.3µm ELECTROPL. Ni LAYER**  
min 0.8µm galv. Au über min 1.3µm galv. Ni  
**ZONE "B": 1-2µm ELECTROPL. Sn OVER MIN 0.1µm ELECTROPL. Ni**  
1-2µm galv. Sn über min 0.1µm galv. Ni  
**REST: min 0.1µm ELECTROPL. Ni**  
min 0.1µm galv. Ni
  - 3. **ZONE "A": MIN 3µm ELECTROPL. Ag**  
min 3µm galv. Ag  
**REST: min 0.5µm ELECTROPL. Ag**  
min 0.5µm galv. Ag
  - 4. **ZONE "A": MIN 3µm ELECTROPL. Ag**  
min 3µm galv. Ag  
**ZONE "B": 1-3µm ELECTROPL. Sn**  
1-3µm galv. Sn  
**REST: SILVER OR TIN ALLOWED IN TRANSITION AREAS.OVERLAPPING LAYERS AND PLAIN SURFACES ARE NOT ALLOWED.**  
Silber oder Zinn im Übergangsbereich erlaubt.  
überlagernde Schichten oder blanke Stellen sind nicht erlaubt.
  - 5. **AT AREA OF TOP OPENING PERMITTED**  
Im Bereich der Spitze Öffnung zulässig
  - 6. **AVAILABILITY MUST BE CHECKED BY TE CONNECTIVITY**  
Verfügbarkeit ist von TE CONNECTIVITY zu prüfen

THIS DRAWING IS A CONTROLLED DOCUMENT. DIESE ZEICHNUNG IST EIN KONTROLLIERTES DOKUMENT.		DM: C. Goetz 25-JUN-2001	<b>STE</b> TE Connectivity
DIMENSIONS: DIMENSIONEN mm		CHK: J. Granzow 25-JUN-2001	
TOLERANCES UNLESS OTHERWISE SPECIFIED: ALLERGENAUERGENAUIGKEITEN		APD: -	NAME: -
0-PLC ± 0.15 mm		PRODUCT SPEC: 108-18027	DIA. 2.5MM PIN CONTACT
1-PLC ± -		APPLICATION SPEC: 114-18020	DIA 2.5mm Stiftkontakt
2-PLC ± -		SCALE: MASSSTAB 5:1	RESTRICTED TO: -
3-PLC ± -		DRAWING NO: 1355064	REV: -
4-PLC ± -		SHEET: 1 OF 1	APD: -
ANGLES/WINKEL ± 1°		CUSTOMER DRAWING / KUNDENZEICHNUNG	REV: A5
FINISH/OBERFLÄCHE/FARBE SEE TABLE		SCALE: MASSSTAB 5:1	