

Customer Information Sheet

DRAWING No.: Z9026-00 TO Z9028-00

IF IN DOUBT - ASK

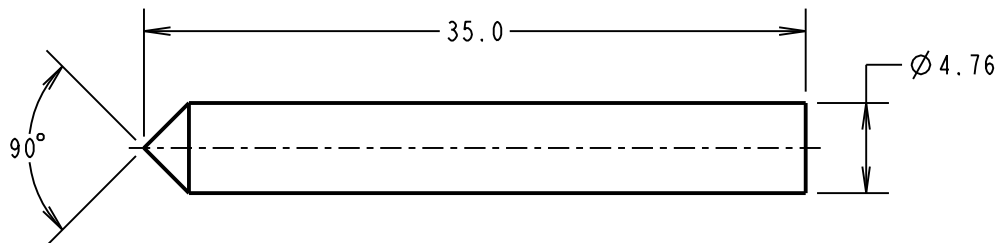
©

NOT TO SCALE

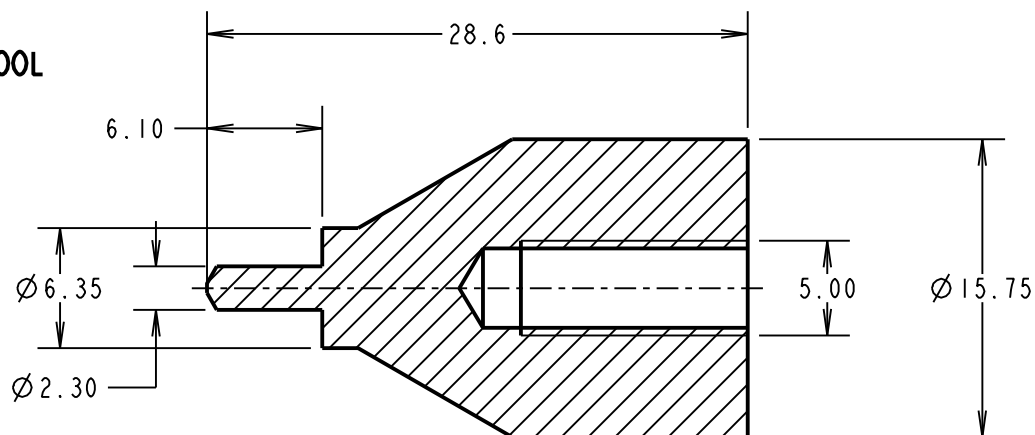
THIRD ANGLE PROJECTION

ALL DIMENSIONS IN mm

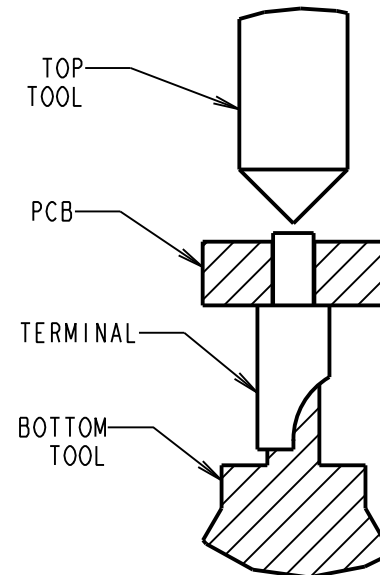
TOP TOOL



BOTTOM TOOL



APPLICATION DIAGRAM
(Z9026-00 SHOWN)



- NOTES:
1. TOP AND BOTTOM TOOLS ARE HARDENED AND TEMPERED.
 2. SET PACKED AS A KIT OF TOP AND BOTTOM TOOLS.

SB	3	22.08.11	11428
NAME	ISS.	DATE	C/NOTE
APPROVED:		S. BENNETT	
CHECKED:		R. ADDE	
DRAWN:		S. MCCULLAGH	
CUSTOMER REF.:			
ASSEMBLY DRG:			

HARWIN

THIS DRAWING AND ANY INFORMATION OR DESCRIPTIVE MATTER SET OUT HEREON ARE CONFIDENTIAL AND COPYRIGHT PROPERTY OF THE HARWIN GROUP AND MUST NOT BE DISCLOSED, LOANED, COPIED OR USED FOR MANUFACTURING, TENDERING OR FOR ANY OTHER PURPOSE WITHOUT THEIR WRITTEN PERMISSION.

TOLERANCES

X. = ±1mm
X.X = ±0.25mm
X.XX = ±0.10mm
X.XXX = ±0.01mm

ANGLES = ±5°
UNLESS STATED

MATERIAL:

SILVER STEEL

FINISH:

S/AREA:

mm²

TITLE:

TOP AND BOTTOM
TOOL SET

DRAWING NUMBER:

Z9026-00 TO Z9028-00

SHT
2 OF 2

HARWIN USA
TEL: 603 893 5376
FAX: 603 893 5396
mis@harwin.com

HARWIN Europe (UK)
TEL: 023 9231 4545
FAX: 023 9231 4590
mis@harwin.co.uk

HARWIN Asia
TEL: +65 6 779 4909
FAX: +65 6 779 3868
mis@harwin.com.sg