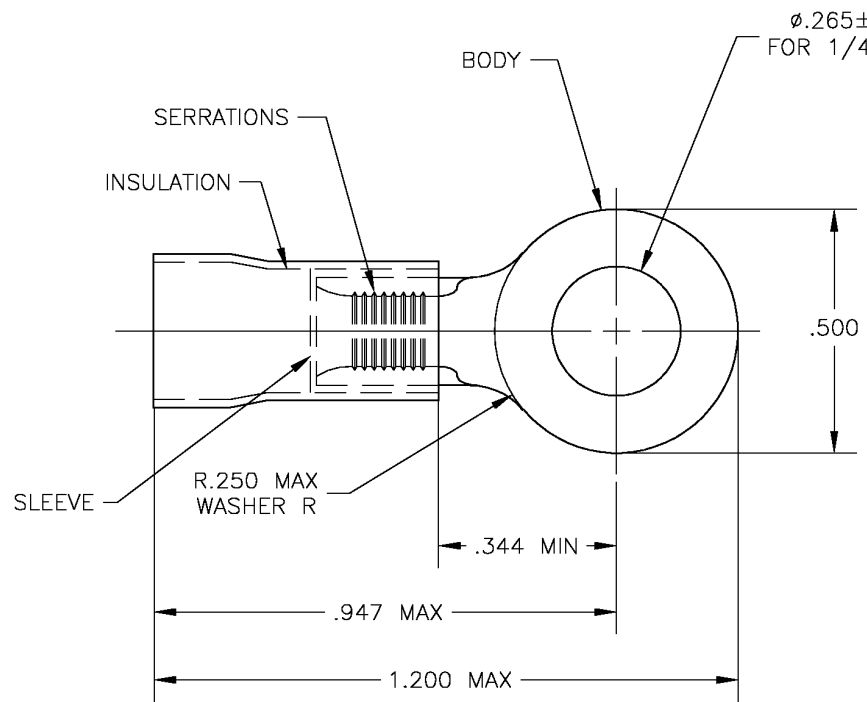


THIS DRAWING IS UNPUBLISHED. RELEASED FOR PUBLICATION
 © COPYRIGHT BY TYCO ELECTRONICS CORPORATION. ALL RIGHTS RESERVED.

LOC	DIST	REVISIONS					
G	14	P	LTR	DESCRIPTION	DATE	DWN	APVD
		K		REV PER 0G3A-0747-03	20NOV03	JR	MS



- 1 FOR .150 TO .215 WIRE INSULATION DIA.
- 2 TONGUE THICKNESS IS .049±.002.
- 3 REPLACED BY 35628

OBSOLETE 2-35628-1 	BODY: COPPER PER ASTM B-152 ANNEALED TIN PLATE PER ASTM B-545 INSULATION: PVC, COLOR-YELLOW SLEEVE: COPPER PER ASTM B-152 ANNEALED	35628-0
	P/N ON TAPE	MATERIAL & FINISH

THIS DRAWING IS A CONTROLLED DOCUMENT.		DWN	20NOV03		Tyco Electronics Corporation		
		CHK	20NOV03		Harrisburg, PA 17105		
		APVD	20NOV03	NAME	PLASTI-GRIP, RING TONGUE, WIRE SIZE: 16-14HD		
		PRODUCT SPEC		SIZE	CAGE CODE	DRAWING NO	RESTRICTED TO
		APPLICATION SPEC		A3	00779	C=35628	
		WEIGHT		CUSTOMER DRAWING		SCALE	4:1
				SHEET		1 OF 1	REV K

DIMENSIONS: INCHES		TOLERANCES UNLESS OTHERWISE SPECIFIED:	
	0 PLC	± -	
	1 PLC	± -	
	2 PLC	± -	
	3 PLC	± .008	
	4 PLC	± -	
	ANGLES	± 1'	
MATERIAL	FINISH		
-	-		