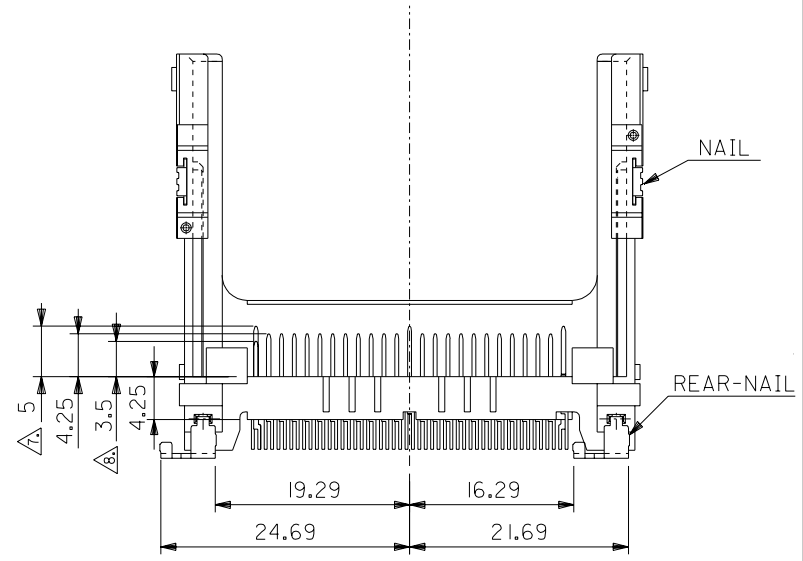
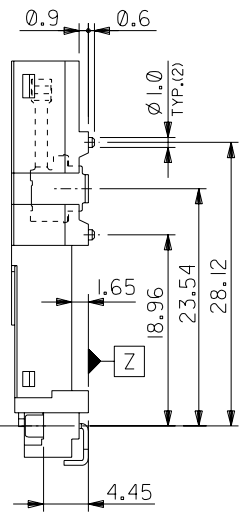
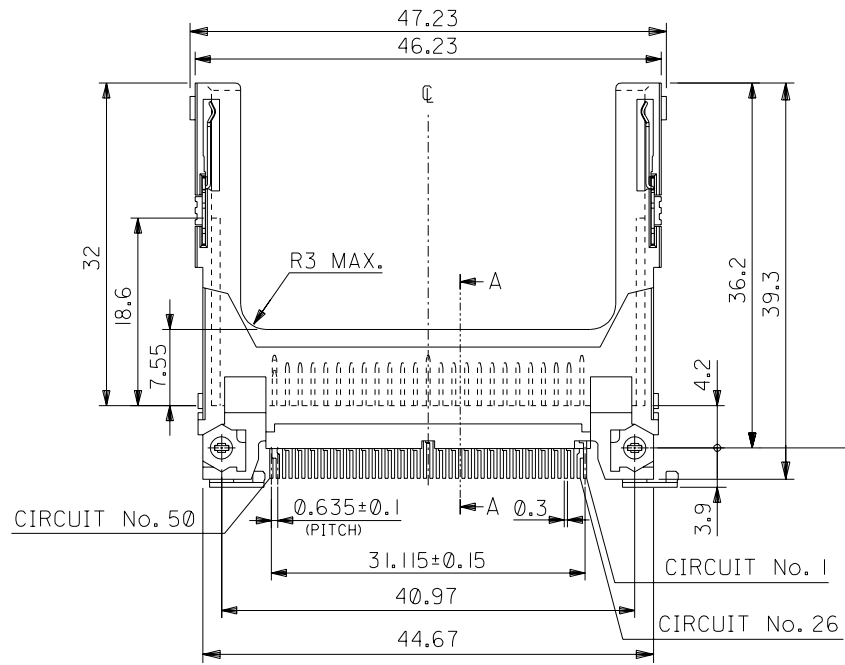
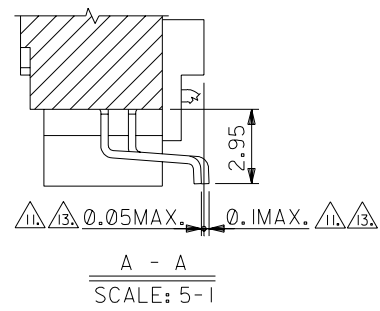
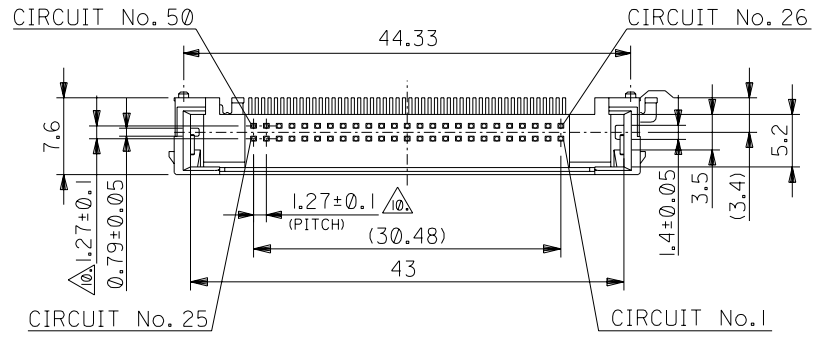


DWG. NO. SD-55358-014



DO NOT SCALE DRAWING

EC NO. DRWN: CHK: APPR:	EC NO. DRWN: CHK: APPR:	EC NO. DRWN: CHK: APPR:	EC NO. DRWN: CHK: APPR:	EC NO. DRWN: CHK: APPR:
RELEASED	RELEASED	RELEASED	RELEASED	RELEASED
EC NO. J2004-3952	EC NO. J2004-3952	EC NO. J2004-3952	EC NO. J2004-3952	EC NO. J2004-3952
DRWN: M.NABEI '04/04/22	DRWN: M.NABEI '04/04/22	DRWN: M.NABEI '04/04/22	DRWN: M.NABEI '04/04/22	DRWN: M.NABEI '04/04/22
CHK: K.TOJO '04/04/22	CHK: K.TOJO '04/04/22	CHK: K.TOJO '04/04/22	CHK: K.TOJO '04/04/22	CHK: K.TOJO '04/04/22
APPR: M.SASAO '04/04/22	APPR: M.SASAO '04/04/22	APPR: M.SASAO '04/04/22	APPR: M.SASAO '04/04/22	APPR: M.SASAO '04/04/22

MATERIAL 材料	SEE NOTES
FINISH 仕上り	SEE NOTES
WIRE RANGE 適用線径範囲	#
INS. RANGE 被覆外径	#

GENERAL TOLERANCES: (UNLESS SPECIFIED) 一般公差	
10 UNDER 未満	±0.2
10 OVER 30 UNDER 以上 未満	±0.25
30 OVER 以上	±0.3
ANGLE 角度	±3°

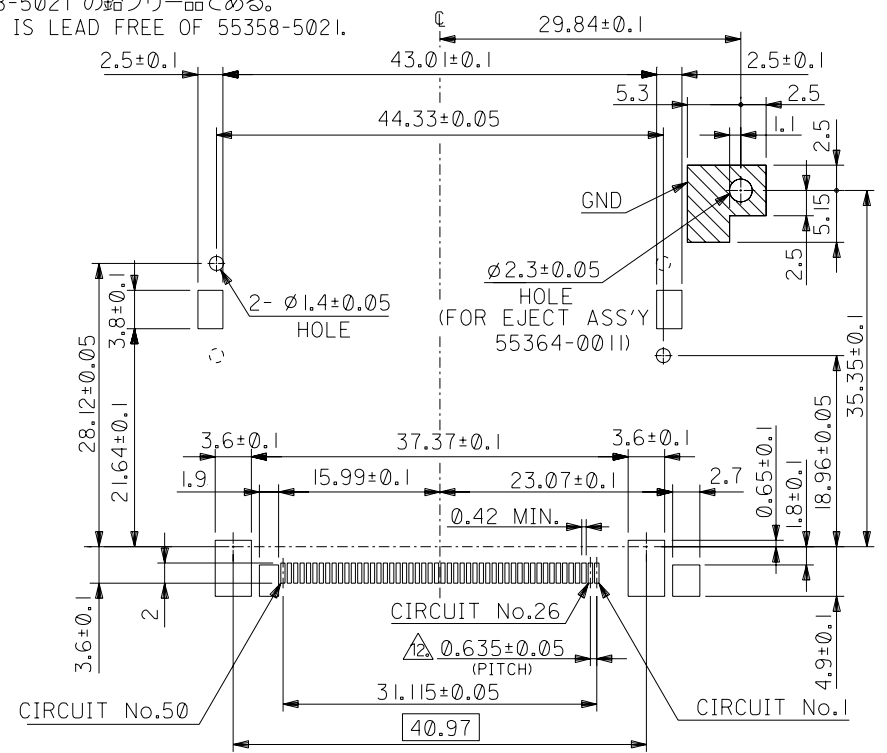
55358-5028		55358-5029		55358-50**	
HARD TRAY PACKAGE		MATERIAL No.		MODEL No.	
SCALE 2 - 1	DESIGN UNITS <input checked="" type="checkbox"/> mm <input type="checkbox"/> INCH	DIMENSIONS: <input type="checkbox"/> mm <input type="checkbox"/> INCH <input type="checkbox"/> mm <input checked="" type="checkbox"/> INCH ONLY		SHT	REV
DRAWN BY & DATE M.NABEI '04/04/22		TITLE: CF CARD CONN. 50P HEADER ASS'Y (TYPE I/II, NORMAL) -LEAD FREE-			
CHECKED BY & DATE K.TOJO '04/04/22		MATERIAL NO. SEE CHART			
APPROVED BY & DATE M. Sasao '04/04/22		DRAWING NO. SD-55358-014		SHEET NO. 1 OF 2	
CAD FILENAME SD-55358-014.S01		DRAWING NO. SD-55358-014		SHEET NO. 1 OF 2	
THIS DRAWING CONTAINS INFORMATION THAT IS PROPRIETARY TO MOLEX INCORPORATED AND SHOULD NOT BE USED WITHOUT WRITTEN PERMISSION.					SIZE B

SD-55358-014.S01

DWG. NO. SD-55358-014

- 注) NOTES
- 材質 MATERIAL  
 ハウジング: ガラス入りLCP UL94V-0  
 HOUSING: LIQUID CRYSTAL POLYMER G.F. UL94V-0  
 ピン: リン青銅  
 PIN: PHOSPHOR BRONZE  
 ネール: リン青銅 (t0.3)  
 NAIL: PHOSPHOR BRONZE (t0.3)  
 リヤネール: リン青銅 (t0.48)  
 REAR-NAIL: PHOSPHOR BRONZE (t0.48)
  - メッキ仕様 PLATING  
 ピン  
 PIN 接点部: パラジウムニッケル下地、金メッキ  
 CONTACT AREA: GOLD OVER PALLADIUM-NICKEL  
 半田付け部: 錫メッキ  
 SOLDER TAIL AREA: TIN  
 下地メッキ: ニッケルメッキ  
 UNDERPLATING: NICKEL OVER ALL  
 ネール  
 NAIL 接点部: 金メッキ  
 CONTACT AREA: GOLD  
 半田付け部: 錫メッキ  
 SOLDER TAIL AREA: TIN  
 下地メッキ: ニッケルメッキ  
 UNDERPLATING: NICKEL OVER ALL  
 リヤネール  
 REAR-NAIL 錫メッキ  
 TIN  
 下地メッキ: ニッケルメッキ  
 UNDERPLATING: NICKEL OVER ALL
  - 推奨基板厚: t=0.8 MIN.  
 RECOMMENDED P.C.B. THICKNESS: t=0.8 MIN.
  - 適合カード厚: 3.3±0.1 (TYPE I) AND 5 MAX. (TYPE II)  
 RECOMMENDED CARD THICKNESS: 3.3±0.1 (TYPE I) AND 5 MAX. (TYPE II)
  - 適合カード幅: 42.8±0.1  
 RECOMMENDED CARD WIDTH: 42.8±0.1
  - ハウジング色: 黒  
 HOUSING COLOR: BLACK
  - 寸法適用極: 1,13,38,50  
 THIS DIMENSION APPLIES TO CIRCUIT NUMBERS 1,13,38 AND 50.
  - 寸法適用極: 25,26  
 THIS DIMENSION APPLIES TO CIRCUIT NUMBERS 25 AND 26.
  - ピンの倒れは、ピン根元を基準に全方向へ0.1 MAX.とする。  
 PIN TIP LEAN TOWARD ANY DIRECTION NOT TO EXCEED 0.1 WHEN MEASURED FROM PIN BASE.
  - ピン根元に適用する。  
 THIS DIMENSION TO BE MEASURED AT PIN BASE.

- ソルダーテールは、Z面を基準とし上へ0.05下へ0.1の範囲にあり、且ソルダーテールの平坦度は、0.1 MAX.とし、テール先端にて測定する。  
 SOLDER TAILS TO BE WITHIN 0.05 UPWARD AND 0.1 DOWNWARD FROM Z-DATUM PLACE, AND COPLANARITY OF SOLDER TAILS TO BE WITHIN 0.1. MEASUREMENT POINT IS SOLDER TAILS TIP.
- 公差非累積  
 NON-CUMULATIVE
- テールとネール、リヤネールを併せた平坦度は、0.1 MAX.とする。  
 TOTAL COPLANARITY OF SOLDER TAILS, NAILS AND REAR-NAILS TO BE 0.1 MAX.
- 本製品は 55358-5021 の鉛フリー品である。  
 THIS PRODUCT IS LEAD FREE OF 55358-5021.



基板推奨寸法  
 RECOMMENDED P.C.B. LAYOUT

DO NOT SCALE DRAWING

EC NO.		EC NO.		EC NO.		EC NO.		EC NO.		DESCRIPTION	MATERIAL 材料	GENERAL TOLERANCES: (UNLESS SPECIFIED) 一般公差	SCALE 2 - 1	DESIGN UNITS <input checked="" type="checkbox"/> mm <input type="checkbox"/> INCH	MODEL NO.	DIMENSIONS:			SHT	REV
DRWN:	CHK:	DRWN:	CHK:	DRWN:	CHK:	DRWN:	CHK:	DRWN:	CHK:							<input type="checkbox"/> mm <input type="checkbox"/> INCH	<input type="checkbox"/> mm ONLY	<input checked="" type="checkbox"/> mm ONLY		
										SEE NOTES		10 UNDER 未満		±0.2	55358-50**	<input type="checkbox"/> mm <input type="checkbox"/> INCH	<input type="checkbox"/> mm ONLY	<input checked="" type="checkbox"/> mm ONLY		
										SEE NOTES		10 OVER 以上	30 UNDER 未満	±0.25	M.NABEI '04/04/22	TITLE: CF CARD CONN. 50P HEADER ASS'Y (TYPE I/II, NORMAL) -LEAD FREE-				
												30 OVER 以上		±0.3	K.TOJO '04/04/22	MOLEX INCORPORATED				
										REV	WIRE RANGE 適用電線範囲	ANGLE 角度		±3°	M. Sato '04/04/22	MATERIAL NO.	DRAWING NO.	SHEET NO.		
										0	INS. RANGE 被覆外径				SD-55358-014.S02		SD-55358-014	2		
THIS DRAWING CONTAINS INFORMATION THAT IS PROPRIETARY TO MOLEX INCORPORATED AND SHOULD NOT BE USED WITHOUT WRITTEN PERMISSION.																SIZE B				

SD-55358-014.S02