

| | | | | | | | | | | |
|----------------------|--------|--------|--------|--------|---------------------------|------|------------|----------------------------------------------------------------------------------------------------------------------|---------------------------|-----|
| BRAID/DRAIN | AWG#20 | AWG#28 | AWG#28 | AWG#20 | 5.0 | 5010 | 88732-9400 | 4 | | |
| | AWG#22 | AWG#28 | AWG#28 | AWG#22 | 5.0 | 3340 | 88732-9300 | | | |
| | AWG#24 | AWG#28 | AWG#28 | AWG#24 | 4.7 | 2090 | 88732-9200 | | | |
| | AWG#26 | AWG#28 | AWG#28 | AWG#26 | 4.2 | 1320 | 88732-9100 | | | |
| | AWG#28 | AWG#28 | AWG#28 | AWG#28 | 4.2 | 820 | 88732-9000 | | | |
| DRAIN WIRE | BLACK | GREEN | WHITE | RED | ケーブル外径 FINISH DIAMETER | | A | 製品番号 MATERIAL NO. | 極数 CIRCUITS | |
| ワイヤーサイズ WIRE SIZE | | | | | | | | DIMENSIONS: <input type="checkbox"/> mm <input type="checkbox"/> INCH <input checked="" type="checkbox"/> mm ONLY | SHT REVISE ON CAD ONLY | REV |

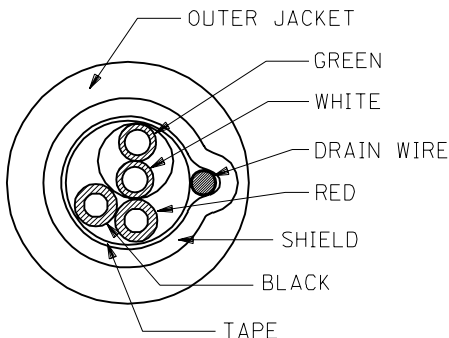
DO NOT SCALE DRAWING

| | | | | | | | | | | | | | | |
|----------------------------------|----------------------------------|----------------------------------|----------------------------------|----------------------------------|-------------------------------------------------------------------------------------------------------------------|-----------------------------------|--------------------------------------------------------------------------------------------------------------------------|--------------------------------------------------------------------------------------------------------------------------------|--------------------------------------------------------------------------------------|------------------------------------------------------------------------------------------------------------------------------------|-----------------------------|-----------------------------|---------------|--------|
| EC NO. DRWN: CHK: APPR: | EC NO. DRWN: CHK: APPR: | EC NO. DRWN: CHK: APPR: | EC NO. DRWN: CHK: APPR: | EC NO. DRWN: CHK: APPR: | RELEASED EC NO. JD2000-0857 DRWN: YUKOJIMA 000/02/17 CHK: M.SASAO 000/02/17 APPR: H.IKESUGI 000/02/17 | MATERIAL 材料 SEE SHEET 2 | GENERAL TOLERANCES: (UNLESS SPECIFIED) 一般公差 10 UNDER 未満 ±0.2 10 OVER 30 UNDER 以上 未満 ±0.25 30 OVER 以上 ±0.3 | SCALE 2-1 | DESIGN UNITS <input checked="" type="checkbox"/> mm <input type="checkbox"/> INCH | THIRD ANGLE PROJECTION <input type="checkbox"/> mm <input type="checkbox"/> INCH <input checked="" type="checkbox"/> mm ONLY | TITLE: USB A-B I/O CABLE | MATERIAL NO. DRAWING NO. | SHEET NO. | |
| | | | | | FINISH 仕上げ SEE SHEET 2 | WIRE RANGE 適用電線範囲 SEE CHART | ANGLE 角度 ±3° | DRAWN BY & DATE <i>Yu. Kojima</i> 2000/02/17 | CHECKED BY & DATE <i>H. Sano</i> 2000/02/17 | APPROVED BY & DATE <i>H. Sano</i> 2000/02/17 | MOLEX INCORPORATED | 887329*00.S01 | SD-88732-9*00 | 1 OF 2 |
| | | | | | REV INS. RANGE 被覆外径 SEE CHART | | | THIS DRAWING CONTAINS INFORMATION THAT IS PROPRIETARY TO MOLEX INCORPORATED AND SHOULD NOT BE USED WITHOUT WRITTEN PERMISSION. | | | | | SIZE B | |

DWG. NO. SD-88732-9*00

注記)
NOTES.

1. ケーブル構造
CABLE CONSTITUTION



| WIRE COLOR (SIGNAL NAME) | 接点 CONTACT NUMBER | |
|-----------------------------|----------------------|-------|
| | USB-A | USB-B |
| RED (V) | #1 | #1 |
| WHITE (-DATA) | #2 | #2 |
| GREEN (+DATA) | #3 | #3 |
| BLACK (GND) | #4 | #4 |
| DRAIN WIRE | SHEEL | SHEEL |

2. 部品構成
PART CONSTRUCTION

| | 部品名 PARTS NAME | 材質 MATERIALS | 処理 FINISH |
|---|-------------------|----------------------------------------------------------------|------------------------------------------------------------------|
| ① | TERMINAL | 銅合金 COPPER ALLOY | 接点部 : 金メッキ + パラジウムニッケル CONTACT AREA : GOLD + PALLADIUM-NICKEL |
| ② | HOUSING | GLASS FILLED HEAT RESISTANT PLASTIC + GOLD FLASH COLOR : WHITE | — # — |
| ③ | USB-A FRONT SHELL | 鋼 STEEL | 下地 : 銅めっき、光沢 半田めっき UNDER PLATING : COPPER, LIGHT TIN PLATING |
| ④ | USB-A REAR SHELL | 鋼 STEEL | 下地 : 銅めっき、光沢 半田めっき UNDER PLATING : COPPER, LIGHT TIN PLATING |
| ⑤ | USB-B FRONT SHELL | 鋼 STEEL | 下地 : 銅めっき、光沢 半田めっき UNDER PLATING : COPPER, LIGHT TIN PLATING |
| ⑥ | USB-B REAR SHELL | 鋼 STEEL | 下地 : 銅めっき、光沢 半田めっき UNDER PLATING : COPPER, LIGHT TIN PLATING |
| ⑦ | CRIMP HOUSING | GLASS FILLED HEAT RESISTANT PLASTIC + GOLD FLASH COLOR : WHITE | — # — |
| ⑧ | OVER MOLD HOUSING | POLYVINYL CHLORIDE COLOR : FROST WHITE | — # — |

DO NOT SCALE DRAWING

| | | | | | | | | | | | | | | | | | | | | |
|--------|-------------------|--------|-------------------|--------|-------------------|--------|-------------------|-------------------------------|----------------------------------------------------------------------------------|-------------------------------------------------------------------------------------------------------------------------------------------------------------------------------------------------------------------------------------------------------------------------------------------------------------------------------------------------------------------------------------------------------------------------------------------------|---------------------------------------------------|-------------------------------|-----------------------------|-----|---------------------------------------------------|--------------|--------------------------------------------------------------------------------------|------------------------------------------------------------------------------------------------------------------------------------|-----|-----|
| EC NO. | DRWN: CH'K: APPR: | EC NO. | DRWN: CH'K: APPR: | EC NO. | DRWN: CH'K: APPR: | EC NO. | DRWN: CH'K: APPR: | RELEASD EC NO. JD2000-0857 | DRWN: YUKUJIMA '00/02/17 CH'K: M.SASAO '00/02/17 APPR: H.IKESUGI '00/02/17 | MATERIAL 材料 部品構成表参照 SEE PART CONSTRUCTION | FINISH 仕上げ 部品構成表参照 SEE PART CONSTRUCTION | WIRE RANGE 適用電線範囲 — # — | INS. RANGE 被覆外径 — # — | REV | GENERAL TOLERANCES: (UNLESS SPECIFIED) 一般公差 | SCALE 2-1 | DESIGN UNITS <input checked="" type="checkbox"/> mm <input type="checkbox"/> INCH | THIRD ANGLE PROJECTION <input type="checkbox"/> mm <input type="checkbox"/> INCH <input checked="" type="checkbox"/> mm ONLY | SHT | REV |
| | | | | | | | | | | | | | | | | | | | | |
| | | | | | | | | | | TITLE: USB A-B I/O CABLE MOLEX INCORPORATED DRAWN BY & DATE: <i>Yu. Kojima</i> '00/02/17 CHECKED BY & DATE: <i>H. Sasao</i> '00/02/17 APPROVED BY & DATE: <i>H. Sasao</i> '00/02/17 CAD FILENAME: 887329*00.S02 MATERIAL NO. SEE CHART DRAWING NO. SD-88732-9*00 SHEET NO. 2 OF 2 THIS DRAWING CONTAINS INFORMATION THAT IS PROPRIETARY TO MOLEX INCORPORATED AND SHOULD NOT BE USED WITHOUT WRITTEN PERMISSION. | | | | | | | | | | |

887329*00.S02.DGN