

## 48 x 48 Digital LCD Timer 814 Part number 88857103



### Relay output digital timers

- Multi-range
- Multi-voltage
- 1 or 2 relay outputs
- Data saved in the event of a break in supply (Timer 815)
- Access to programming lockable (Timer 814, 815)
- Up or down timing mode
- Internal power supply by battery (10 years / 20 °C)

### Part numbers

| Type     | Functions | Connection        | Relay outputs  | Supply voltage     | Nominal rating           |     |
|----------|-----------|-------------------|----------------|--------------------|--------------------------|-----|
| 88857103 | Timer 814 | A, B, C, D, Di, H | Plug-in 11 way | 1 timed changeover | 12 V DC / 24 → 48 V ACDC | 8 A |

### Specifications

|  |  |
|--|--|
| Number of digits   | 4  |
| Height of digits   | TIMER 812 - 814 - 815 : 8 mm   |
| Timing ranges  | 99,99 s<br>999,9 s<br>9999 s<br>99 min 59 s<br>99,99 min<br>999,9 min<br>9999 min<br>99 h 59 min<br>99,99 h<br>999,9 h<br>9999 h |
| Repetition accuracy (with constant parameters)                           | TIMER 812 - 814 - 815 : $\pm 0,03 \% \pm 20$ ms  |
| Display precision  | TIMER 812 - 814 - 815 : $\pm 0,03 \% \pm 20$ ms  |
| Min. control pulse   | 50 ms  |
| Maximum reset time by de-energisation during timed delay                 | 50 ms  |
| Maximum reset time by de-energisation after timing                       | 50 ms  |
| Nominal rating   | TIMER 814 - 815 : 8 A AC 8 A DC<br>TIMER 812 : 5 A AC 5 A DC   |
| Max. breaking voltage  | TIMER 812 - 814 - 815 : 250 V AC 30 V  |
| Maximum power rating (resistive)   | TIMER 814 - 815 : 2000 VA - 190 W<br>TIMER 812 : 1250 VA - 120 W   |
| Maximum admissible current   | 15 A < 0,01 s  |
| Minimum current  | TIMER 812 - 814 - 815 : 250 V AC 30 V DC 100 mA  |
| Electrical life at I max., 250 V AC resistive (cycles)                   | $10^5$   |
| Max. permitted number of operations at 1 max 250 V AC resistive per hour | 600  |
| Mechanical life (operations)   | TIMER 812 - 814 - 815 : $5 \times 10^6$  |
| Voltage variation  | TIMER 814 : + 10 % - 15 %  |
| Immunity from micro power cuts   | < 0,03 s   |
| Max. absorbed power  | 0.5 W / 12 V 1 VA / 24 V<br>0.5 W / 24 V 3.5 VA / 110 V<br>1 W / 48 V 11 VA / 220 V  |
| Temperature limits use (°C)  | TIMER 812 - 814 - 815 : -10 °C → +60 °C  |
| Temperature limits stored (°C)   | TIMER 812 - 814 - 815 : -30 °C → +70 °C  |
| Degree of protection front face  | TIMER 812 - 814 - 815 : IP65   |
| Insulation according to standard IEC/EN 61812-1, IEC/EN 60255-5          | EN61812-1 - IEC255-5   |
| Protection class according to CEI/EN 60529                               | ■  |
| Mounting Front panel, by clip  | ■  |
| Mounting base-mounted on socket  | ■  |
| Material   | Self-extinguishing UL 94 grade V0  |
| Weight (g)   | TIMER 814 : 100<br>TIMER 812 - 815 : 140   |

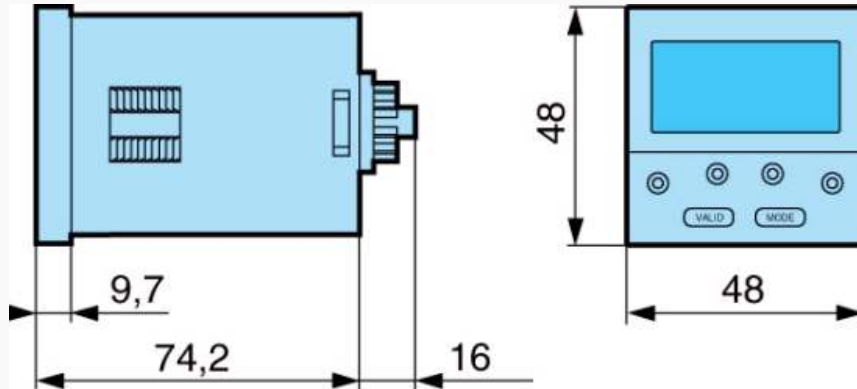
### Accessories

| Accessories                  | Code     |
|------------------------------|----------|
| 8-pin solder-connected plug  | 25622301 |
| 11-pin solder-connected plug | 25622076 |

|                          |          |
|--------------------------|----------|
| Spring clips (pack of 2) | 79237739 |
| 11-pin connector base    | 25622080 |
| 8-pin connector base     | 25622130 |
| 11-pole rear base        | 79694002 |

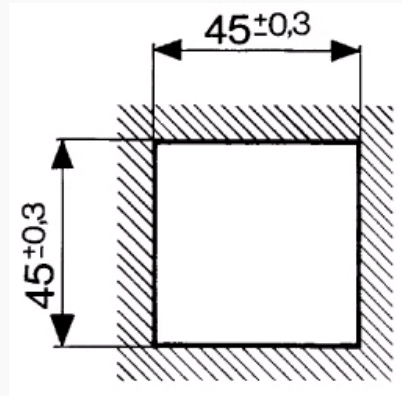
### Dimensions (mm)

Timer 812 - 814 - 815



### Dimensions (mm)

Panel cut-out

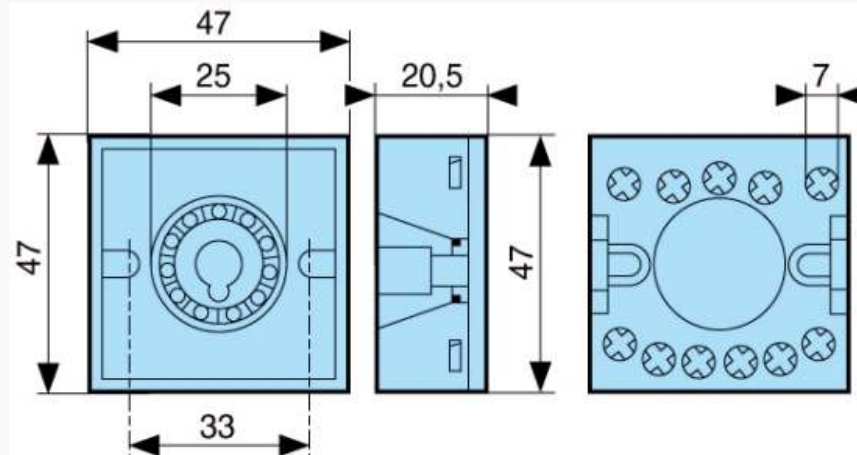


### Dimensions (mm)

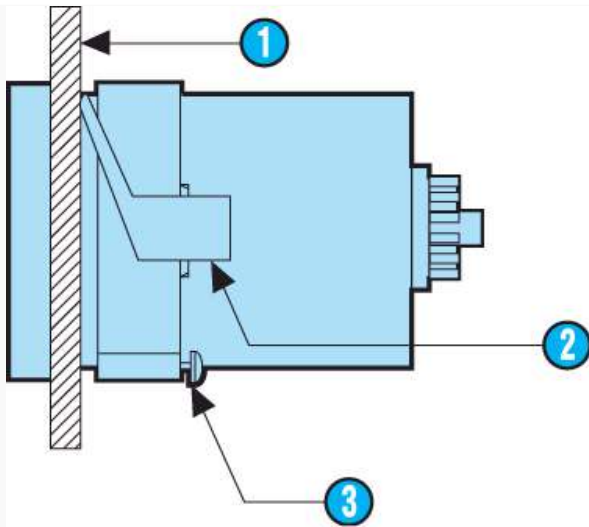
11-pole rear base

79694002

Panel-mounted



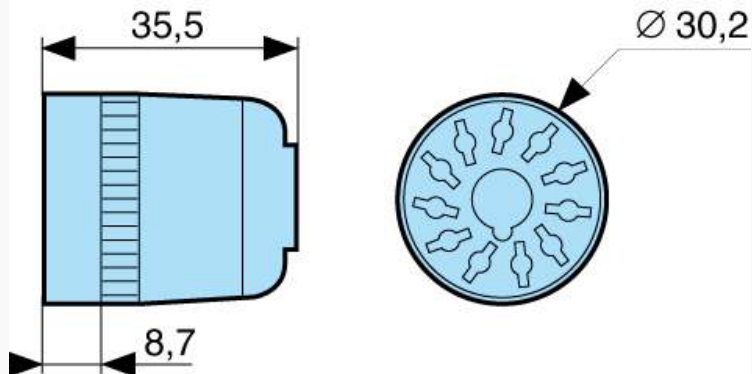
### Dimensions (mm)



| N° | Legend                      |
|----|-----------------------------|
| 1  | Panel thickness 1 to 3,5 mm |
| 2  | Clip for panel-mounting     |
| 3  | Positioning screw           |

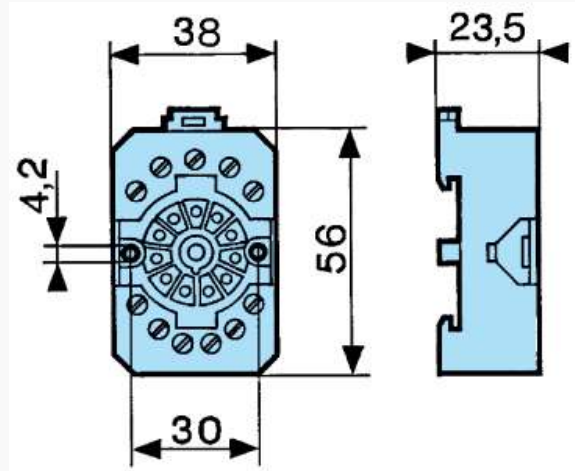
#### Dimensions (mm)

8-pin or 11-pin solder-connected plug  
25 622 076 - 25 622 301



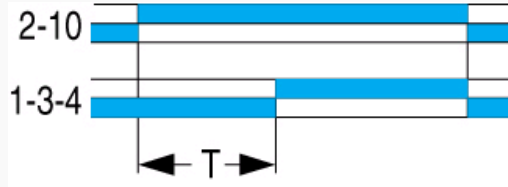
#### Dimensions (mm)

Connector socket  
11-pin 25622080  
8-pin 25622130



Curves

Function A

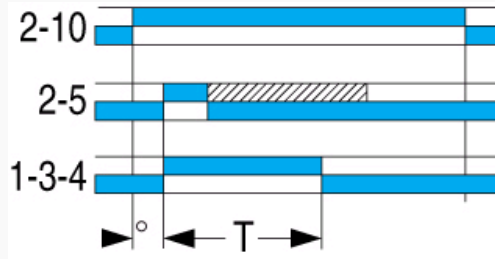


Function A

Delay on energisation  
1 timed relay

Curves

Function B

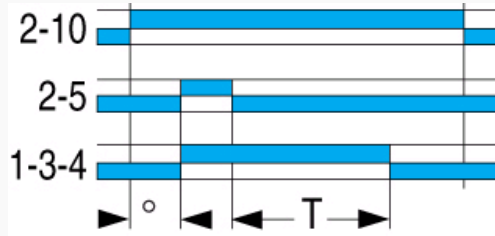


Function B

Timing on impulse (one shot)

Curves

Function C

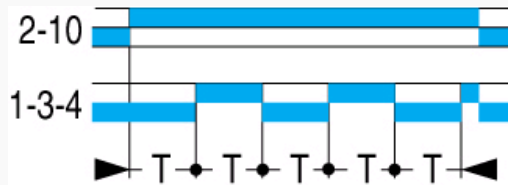


Function C

Timing after impulse (delay off)

Curves

Function D

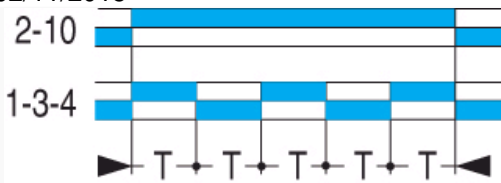


Function D

Flip-flop

Curves

Function Di

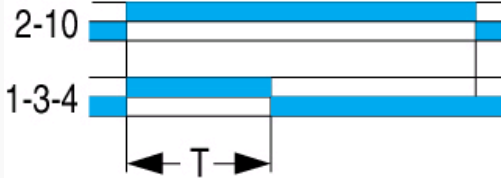


**Function Di**

Flip-flop

**Curves**

**Function H**

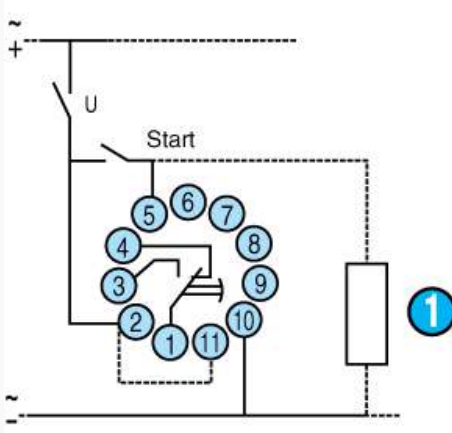


**Function H**

Timing or energisation

**Connections**

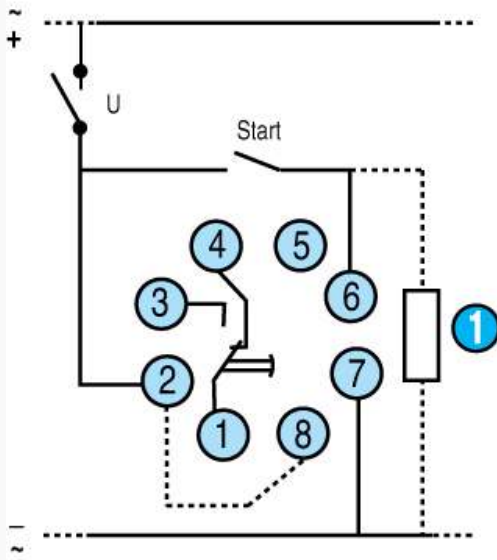
**Timer 814 - 11-pin**



| N° | Legend                                   |
|----|--|
| ①  | Other loads may be connected in parallel |

**Connections**

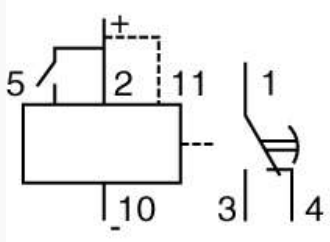
**Timer 814 - 8-pin**



| N° | Legend                                   |
|----|--|
| 1  | Other loads may be connected in parallel |

**Connections**

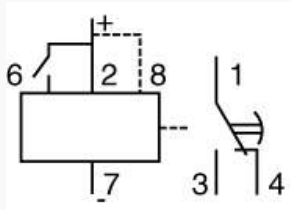
**Timer 814 - 11-pin**



| N°     | Legend                         |
|--------|--------------------------------|
| 2-10   | Supply                         |
| (2-11) | Bridge (88 857 003-88 857 005) |
| 2-5    | Control contact or reset       |
| 1-3-4  | Timed output contact           |

**Connections**


**Timer 814 - 8-pin**



| N°    | Legend                         |
|-------|--------------------------------|
| 2-7   | Supply                         |
| (2-8) | Bridge (88 857 103-88 857 105) |
| 2-6   | Control contact reset          |
| 1-3-4 | Timed output contact           |

**Connections**

**CA 88857003**

 CA 88857003