

4

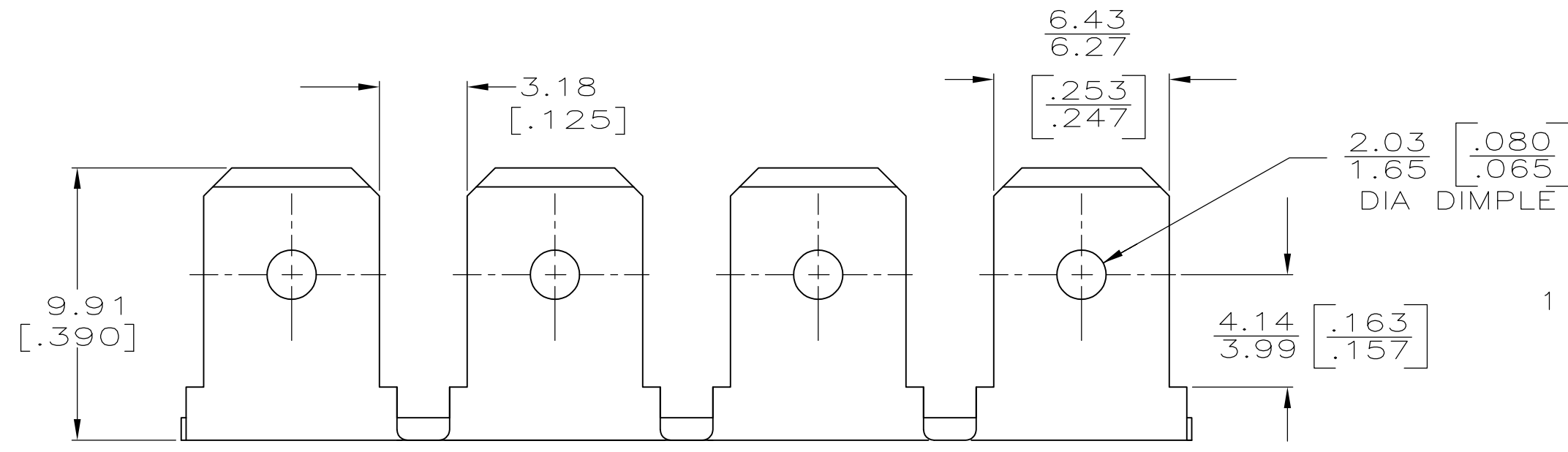
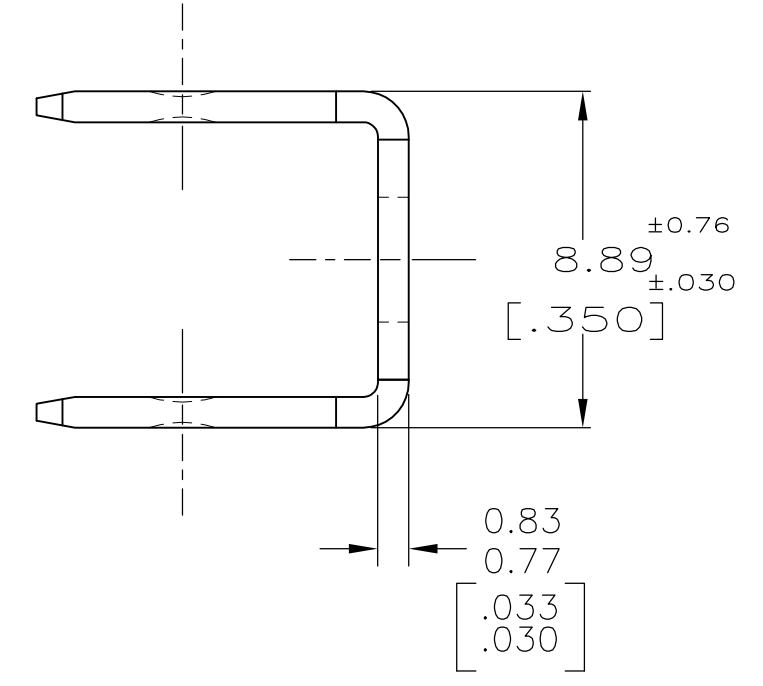
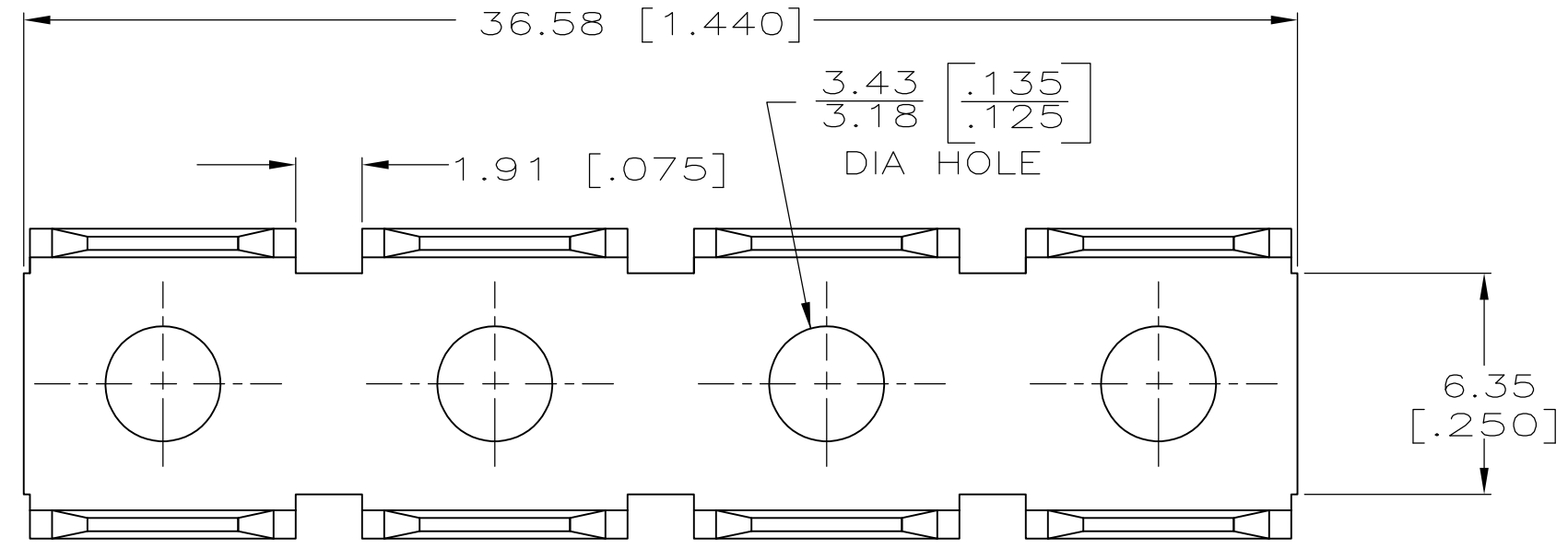
3

2

1


THIS DRAWING IS UNPUBLISHED. RELEASED FOR PUBLICATION
 © COPYRIGHT - By - ALL RIGHTS RESERVED.

| | | | | | | | |
|-----|------|-----------|-----|---------------------------|-----------|-----|------|
| LOC | DIST | REVISIONS | | | | | |
| AF | 50 | P | LTR | DESCRIPTION | DATE | DWN | APVD |
| | | | AH | REVISED PER ECR-13-011489 | 10DEC2013 | KH | PD |



1 SUPPLIED IN LOOSE PIECE.

41370
PART NO

| | | | | | |
|---|--|------------------|----------|---------------|---|
| THIS DRAWING IS A CONTROLLED DOCUMENT. | | DWN | JR RUTH | 12/2/91 |  TE Connectivity |
| DIMENSIONS: mm [INCHES] | | CHK | MS FEHER | 12/2/91 | |
| TOLERANCES UNLESS OTHERWISE SPECIFIED: | | APVD | MEYERS | 12/2/91 | |
| 0 PLC ± - 1 PLC ± - 2 PLC ± - 3 PLC ± 0.38 [.015] 4 PLC ± - ANGLES ± - | | PRODUCT SPEC | - | | |
| MATERIAL BRASS | | FINISH | - | | NAME TAB, FASTON, 6.35 [.250] SERIES |
| - | | WEIGHT | - | | SIZE A3 |
| - | | CUSTOMER DRAWING | | SCALE | 5:1 |
| - | | - | | SHEET | 1 OF 1 |
| - | | - | | REV | AH |
| - | | - | | DRAWING NO | C-41370 |
| - | | - | | RESTRICTED TO | - |
| - | | - | | CAGE CODE | 00779 |