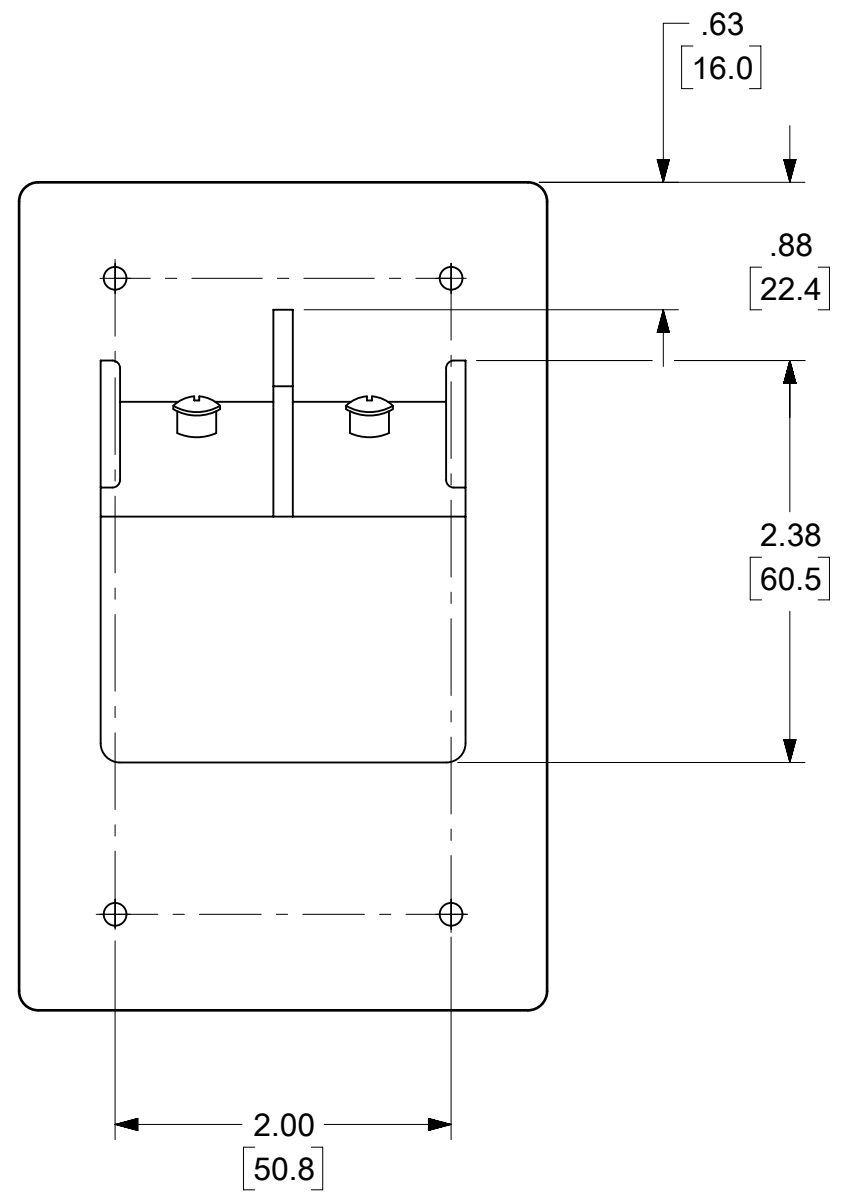
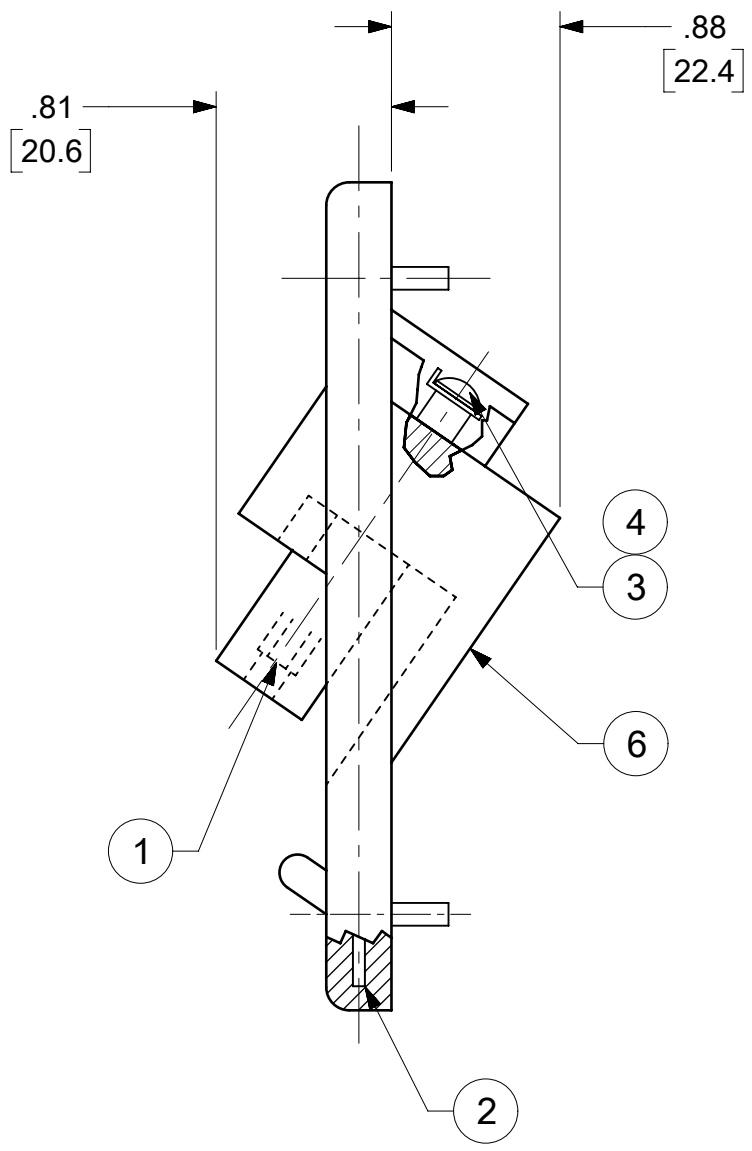
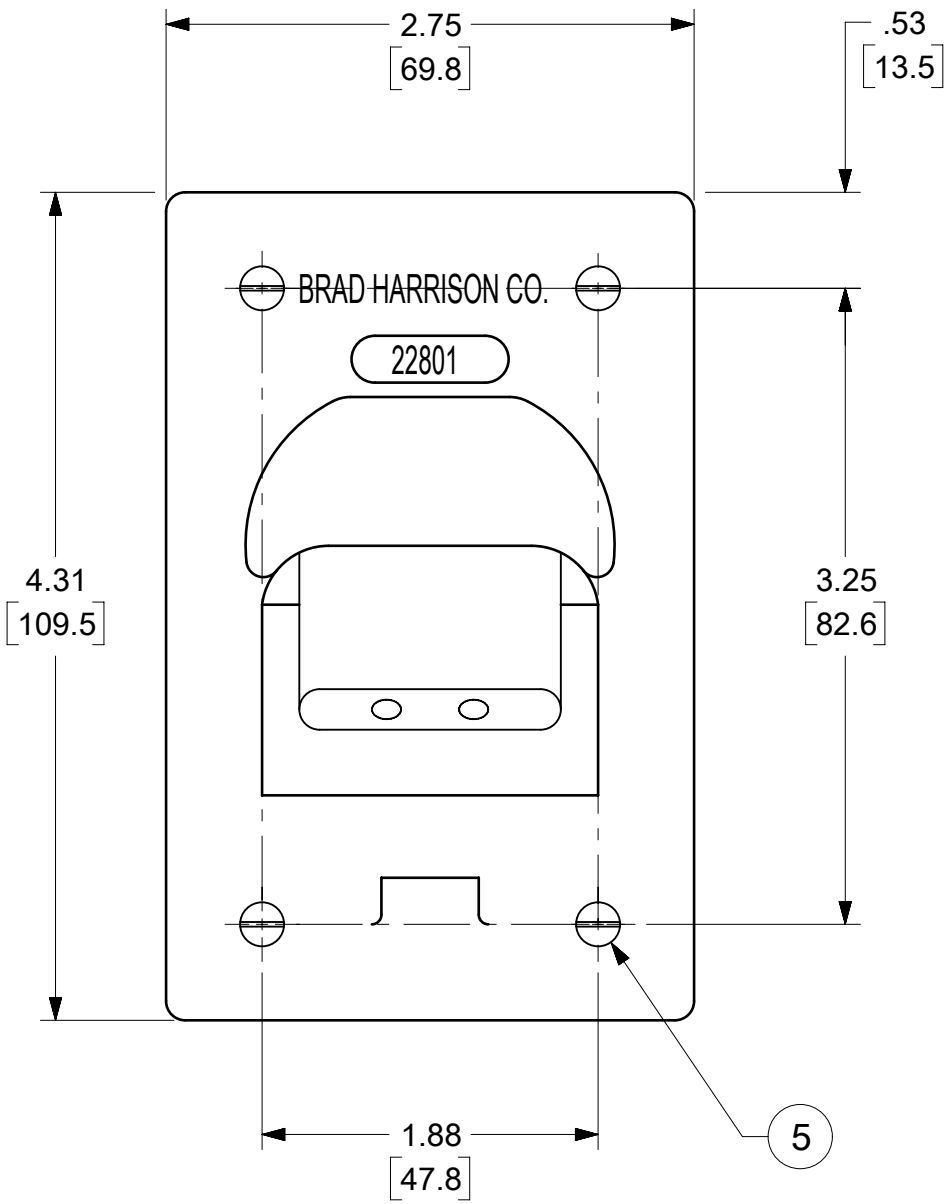


10	9	8	7	6	5	4	3	2	1
MATERIAL NO.	ENGINEERING NO.								
1300190001	22801								



- (B)**
NOTES:
 1. MATERIAL: AS NOTED
 2. FINISH: AS NOTED
 3. ELECTRICAL:
 VOLTAGE: 600VAC
 CURRENT: 25A
 4. TEMP RATING: -20°C TO +90°C
 5. CSA CERTIFIED FILE: LR6837
 6. UL RECOGNIZED FILE: E46237
 7. ALL DIMS ARE FOR REFERENCE UNLESS TOLERANCED OR NOTED OTHERWISE

6	OVERMOLD	RUBBER	YELLOW
5	#6-32 BINDING HD SCREW	STEEL	NICKEL PLATE
4	CUPPED WASHER	Cu ALLOY	NICKEL PLATE
3	#8-32 SCREW	Cu ALLOY	
2	SUPPORT PLATE	CRS	ZINC PLATE
1	SOCKET ASSEMBLY (3/16 DIA)	Cu ALLOY	
ITEM	DESCRIPTION	MATERIAL	FINISH

THIS DRAWING CONTAINS INFORMATION THAT IS PROPRIETARY TO MOLEX ELECTRONIC TECHNOLOGIES, LLC AND SHOULD NOT BE USED WITHOUT WRITTEN PERMISSION									
FUNCTIONAL SYMBOLS	DIMENSION UNITS	SCALE	CURRENT REV DESC: ADDED NOTES						
$\nabla_A = 0$	INCH/MM	1:1	molex DIE BLOCK ANGLE RECEPTACLE FEMALE, 2 POLE-YELLOW PRODUCT CUSTOMER DRAWING EC NO: 711366 DRWN: VHANDI 2021/12/21 CHK'D: RSTONE 2022/06/21 APPR: BWOODMAN 2022/06/24 INITIAL REVISION: DRWN: RSTONE 2013/01/15 APPR: JFMURPHY 2013/03/01 DOCUMENT NUMBER: SD-130019-001 DOC TYPE: PSD DOC PART: 001 REVISION: B MATERIAL NUMBER: SEE TABLE CUSTOMER: GENERAL MARKET SHEET NUMBER: 1 OF 1						
$\nabla_E = 0$	GENERAL TOLERANCES (UNLESS SPECIFIED)								
$\nabla_P = 0$	MM	INCH							
DIVISIONAL SYMBOLS	4 PLACES	±							
	3 PLACES	±							
	2 PLACES	±							
	1 PLACE	±							
	0 PLACES	±							
	ANGULAR TOL	± °							
	DRAFT WHERE APPLICABLE MUST REMAIN WITHIN DIMENSIONS	THIRD ANGLE PROJECTION	DRAWING	SERIES	MATERIAL NUMBER	CUSTOMER	SHEET NUMBER		
			B-SIZE	130019	SEE TABLE	GENERAL MARKET	1 OF 1		