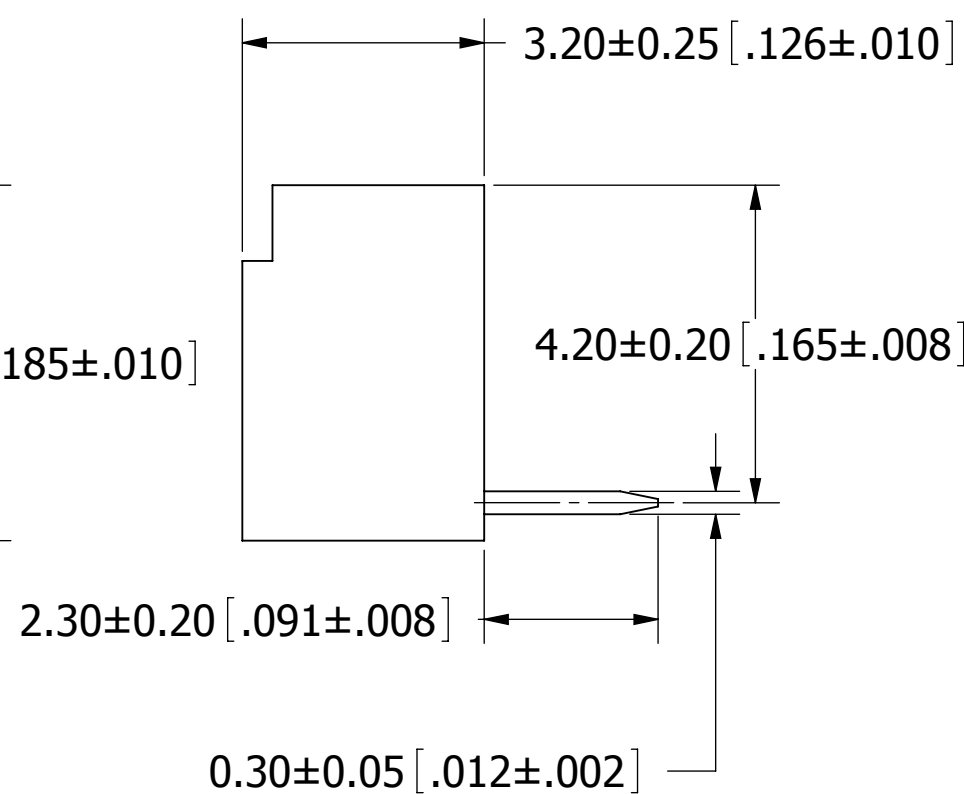
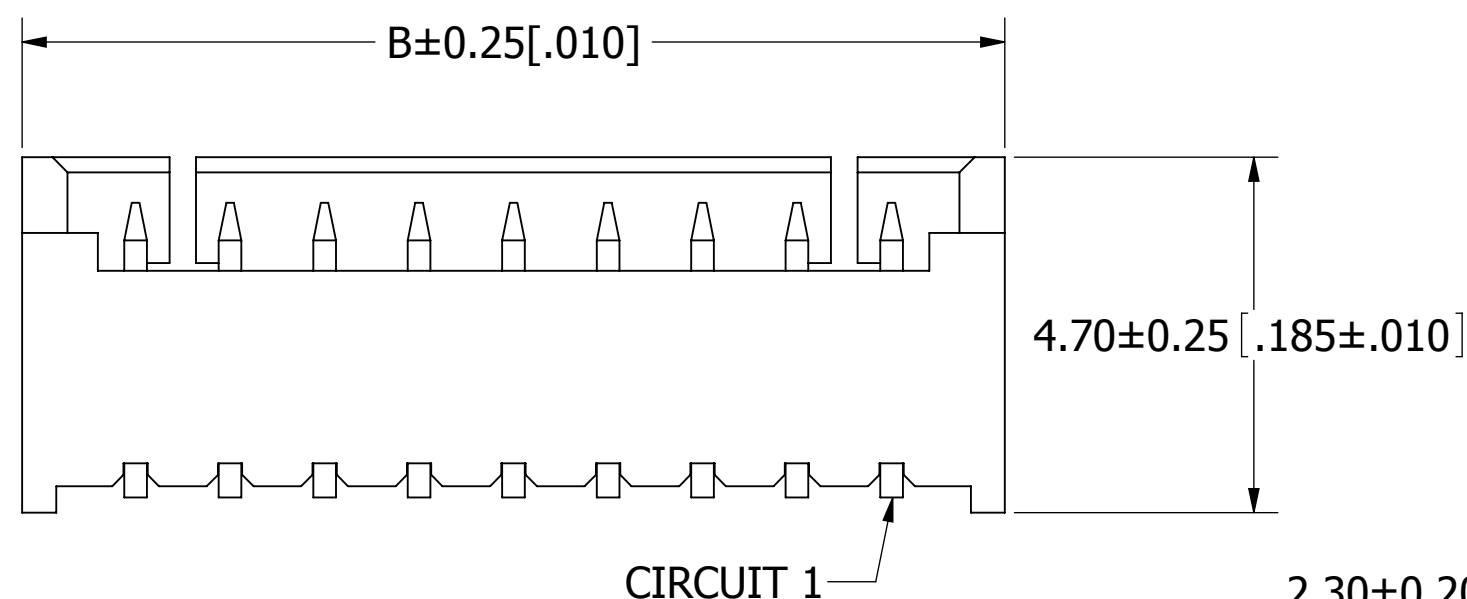
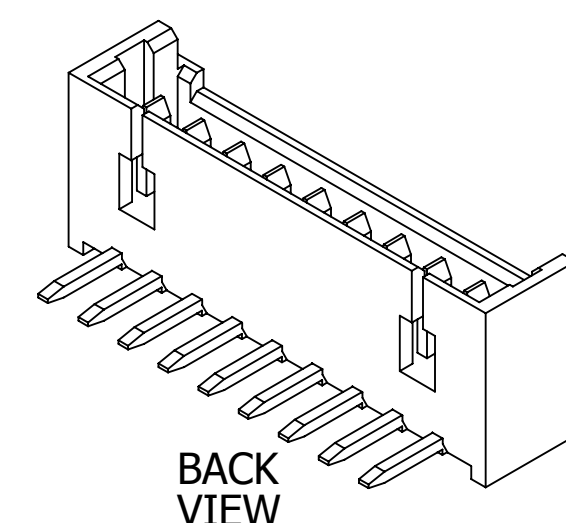
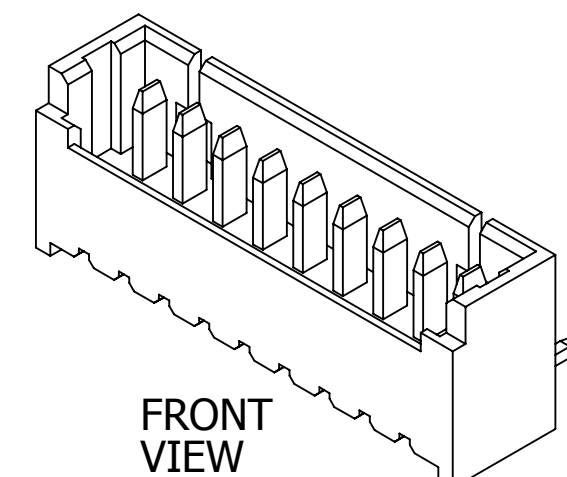
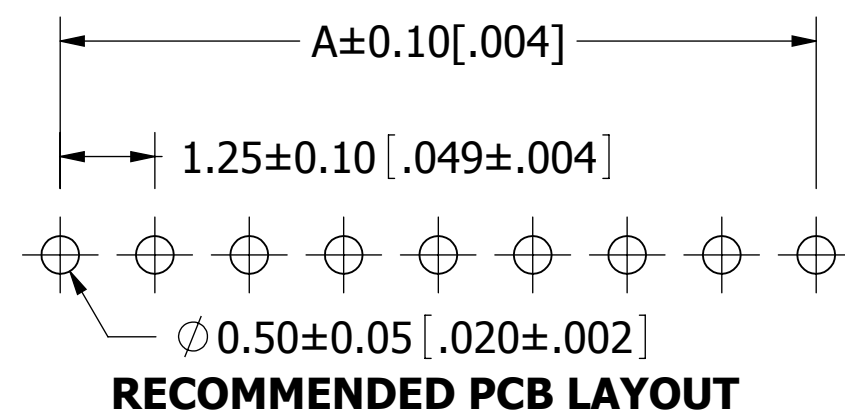
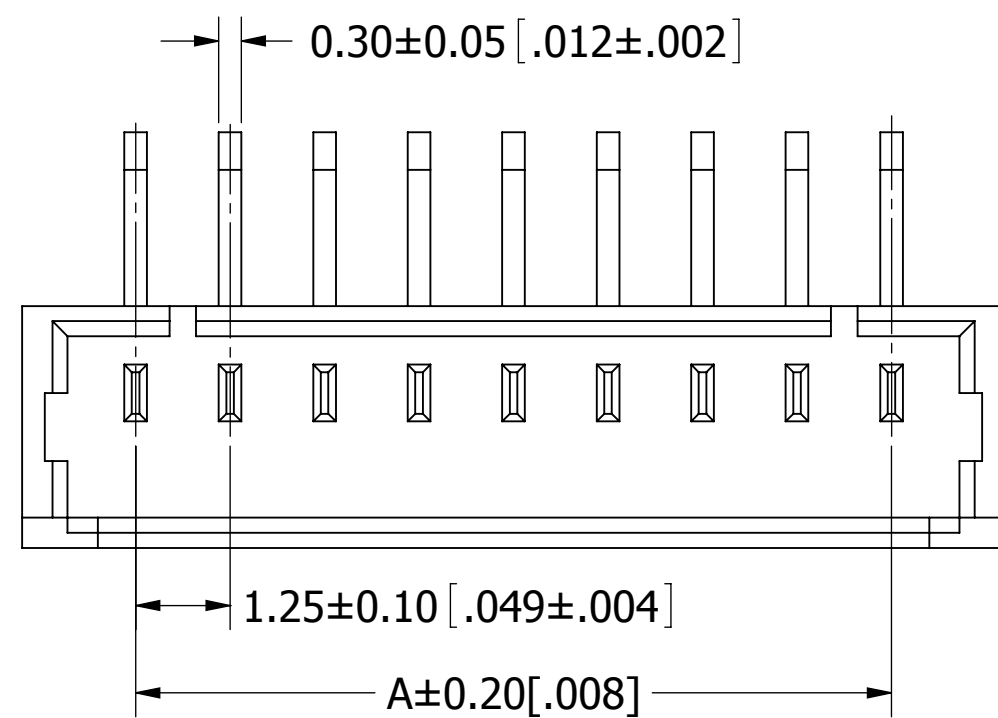


# PART NUMBER CODING

## SWR120-NPEG-S\_\_-RA-BG

**NUMBER OF POSITIONS**  
(CONTACTS PER ROW)

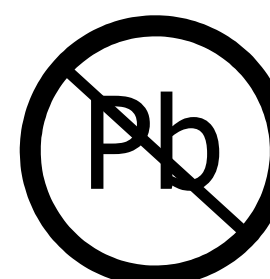
| REVISIONS |         |                 |           |    |
|-----------|---------|-----------------|-----------|----|
| REV.      | ECO. NO | DESCRIPTION     | DATE      | BY |
| A         | 2002    | INITIAL RELEASE | 7/17/2009 | JH |



| Part Number           | Positions/<br>Contacts | A     |       | B     |       |
|-----------------------|------------------------|-------|-------|-------|-------|
|                       |                        | MM    | INCH  | MM    | INCH  |
| SWR120-NPEG-S02-RA-BG | 02/02                  | 1.25  | 0.049 | 4.25  | 0.167 |
| SWR120-NPEG-S03-RA-BG | 03/03                  | 2.50  | 0.098 | 5.50  | 0.217 |
| SWR120-NPEG-S04-RA-BG | 04/04                  | 3.75  | 0.148 | 6.75  | 0.266 |
| SWR120-NPEG-S05-RA-BG | 05/05                  | 5.00  | 0.197 | 8.00  | 0.315 |
| SWR120-NPEG-S06-RA-BG | 06/06                  | 6.25  | 0.246 | 9.25  | 0.364 |
| SWR120-NPEG-S07-RA-BG | 07/07                  | 7.50  | 0.295 | 10.50 | 0.413 |
| SWR120-NPEG-S08-RA-BG | 08/08                  | 8.75  | 0.344 | 11.75 | 0.463 |
| SWR120-NPEG-S09-RA-BG | 09/09                  | 10.00 | 0.394 | 13.00 | 0.512 |
| SWR120-NPEG-S10-RA-BG | 10/10                  | 11.25 | 0.443 | 14.25 | 0.561 |
| SWR120-NPEG-S11-RA-BG | 11/11                  | 12.50 | 0.492 | 15.50 | 0.610 |
| SWR120-NPEG-S12-RA-BG | 12/12                  | 13.75 | 0.541 | 16.75 | 0.659 |
| SWR120-NPEG-S13-RA-BG | 13/13                  | 15.00 | 0.591 | 18.00 | 0.709 |
| SWR120-NPEG-S14-RA-BG | 14/14                  | 16.25 | 0.640 | 19.25 | 0.758 |
| SWR120-NPEG-S15-RA-BG | 15/15                  | 17.50 | 0.689 | 20.50 | 0.807 |

### NOTES:

- INSULATOR MATERIAL: NYLON6T, UL94V-0, COLOR:BEIGE.
- CONTACT MATERIAL: PHOSPHOR BRONZE.
- CONTACT PLATING: TIN OVERALL.
- CURRENT RATING: 1 AMP.
- VOLTAGE RATING: 125V AC/DC.
- INSULATOR RESISTANCE: 100 MEGOHMS MIN.
- CONTACT RESISTANCE: 20 MILLIOHMS MAX.
- DIELECTRIC WITHSTANDING VOLTAGE: 500V AC.
- OPERATING TEMPERATURE: -25° C TO +85° C.
- MATES WITH SWH120 SERIES SINGLE ROW HOUSING.



RoHS COMPLIANT

UNLESS OTHERWISE SPECIFIED:  
DIMENSIONS ARE IN MM [INCHES]  
TOLERANCES:  
ANGULAR: ± 5°  
.X = ± .3 [.01]  
.XX = ± .15 [.006]  
.XXX = ± .050 [.0020]  
SURFACE FINISH: 63 R<sub>a</sub>  
REMOVE ALL BURRS AND SHARP EDGES .010 MAX

INTERPRET DIMENSIONS AND GEOMETRIC TOLERANCING PER: ANSI Y14.5M-1994

DATE: 7/30/2009  
NAME: JH  
DRAWN: JH

THE INFORMATION HEREIN CONTAINS PROPRIETARY INFORMATION OF SULLINS ELECTRONICS AND IS NOT TO BE REPRODUCED, USED OR DISCLOSED TO OTHERS FOR ANY PURPOSE EXCEPT AS SPECIFICALLY AUTHORIZED IN WRITING BY AN OFFICER OF SULLINS ELECTRONICS.



DESCRIPTION: WAFER, 1.25mm CC, 1 ROW, RA

PART NUMBER: SWR120-NPEG-S\_\_-RA-BG

SIZE: C  
DWG. NO.: 11293  
REV: A

SCALE: 10:1  
SHEET 1 OF 1