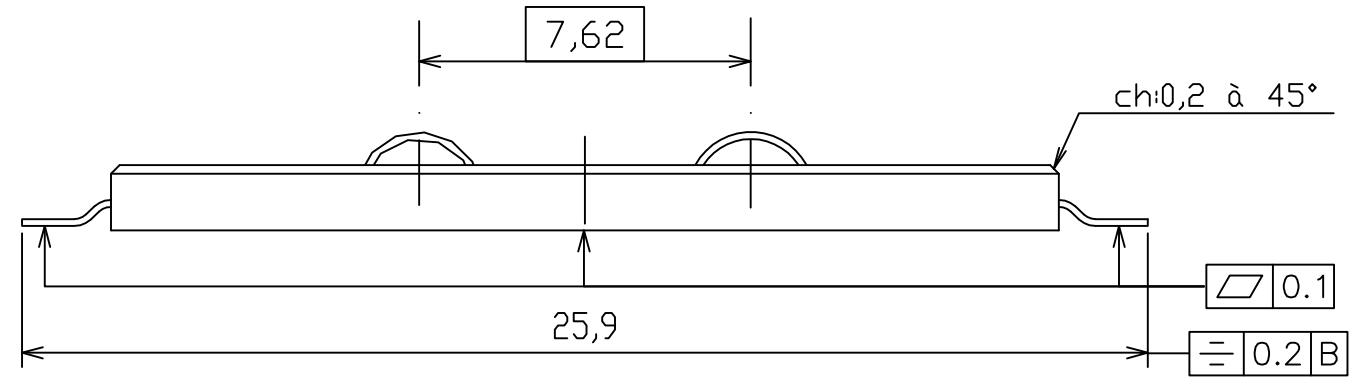
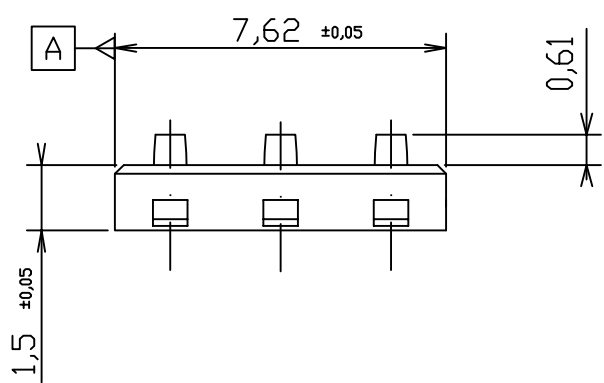
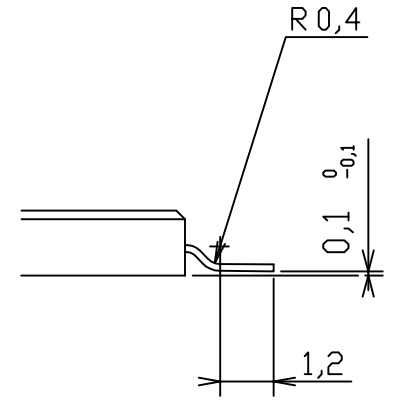
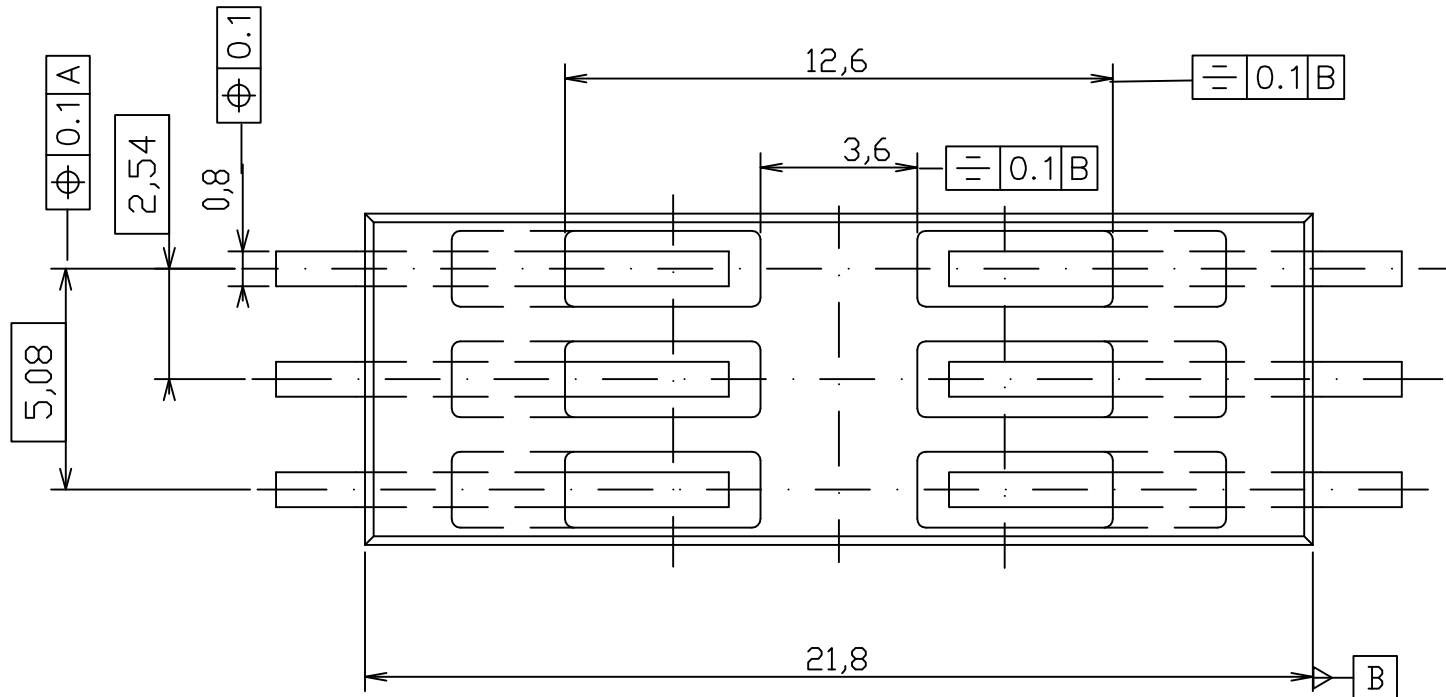
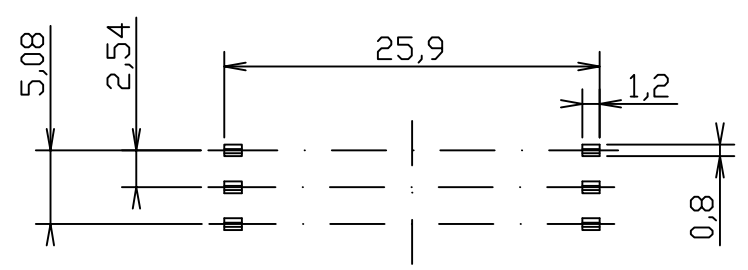


CATALOGUE NUMBER	LEAD FREE VERSION
7111S1015X01	7111S1015X01LF



Layout onto PCB
Surface d'appui des contacts sur C.I.



LEAD FREE VERSION:

"This product meets European Union Directives and other country regulations as described in GS-22-008"

The housing will withstand exposure to 260°C peak temperature for 10seconds in a convection reflow oven.

Sn Matte plating on solder tail for Lead Free Versions

Tol.G:±0,1

mat'l. code		surface		tolerance		projection		product family	
-		ISO 1302		ISO 406 ISO 1101		mm		SMARTCARD	
litr		ecn no		dr		date		title	
A		F20307		DLE		2002/04/29		S10	
B		I05-0167		NT		2005/09/23		VXX27789	
C		I06-0078		DTK		2006/06/19			
				dr		D LEGRAND		2002/04/29	
				enagr		F TISSERAND		2002/04/29	
				chr		DILIPTHOMAS		2006/06/19	
				appd		DILIPTHOMAS		2006/06/19	
sheet index		revision sheet		C		1		dwg no	
								sheet 1 of 1	
								size	
								A3	
								type	
								CUSTOMER COPY Drawing	