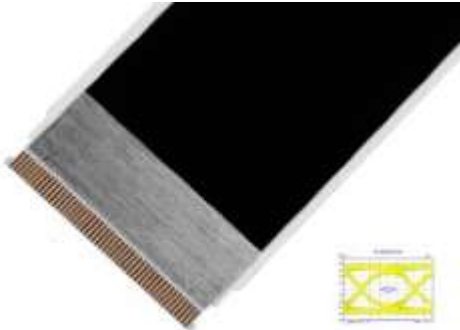


FASEGL-xx-H LVDS-FFC 10Gbit/sec 100Ω for I-PEX Evaflex5 SE GVT and Evaflex5 SE GHT Series



Features

Compatible with
Connector Series
I-PEX Evaflex5 SE GVT
I-PEX Evaflex5 SE GHT

Datarate up to 10Gbit/sec
Impedance 100Ω
One side shielded

High flexibility and softness

Mating Connector:

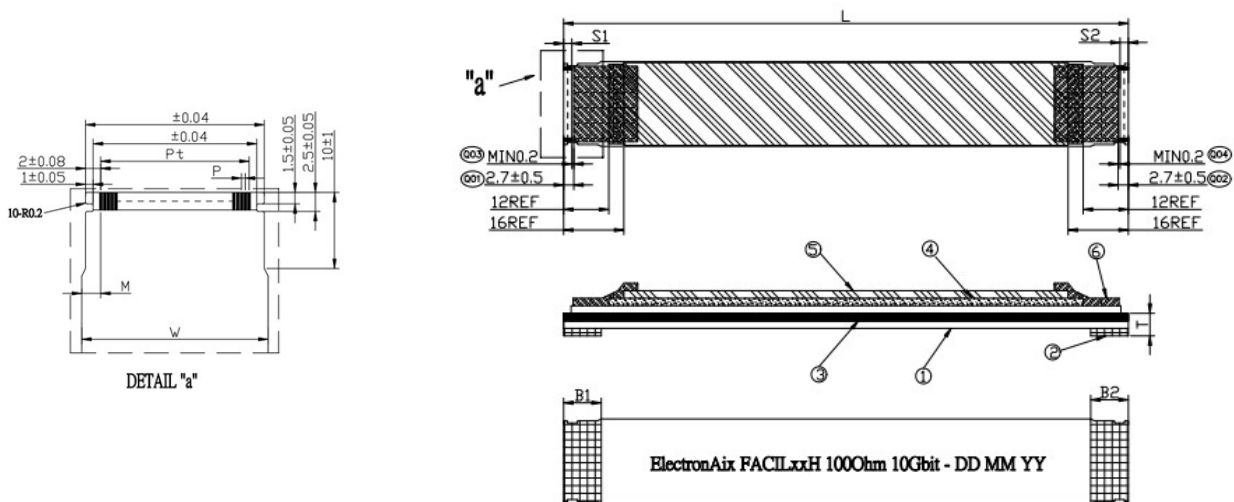
20899-xxE-01 – horizontal 125°C

20799-xxE-01 – vertical 125°C



FASEGL-xx-H LVDS-FFC 10Gbit/sec 100Ω
for I-PEX Evaflex5 SE GVT and Evaflex5 SE GHT Series

Dimension:



Pitch	P	0.5	±0.05
Total Pitch	Pt	(N-1)x0,5	±0,04
Width	W	(N+9)x0.5	±0.07
Insert Thickness	T	0.3	±0.03
Strip length	S1	2.3	±0.5
	S2	2.3	±0.5
Reinforcement tape length	S3	10*	±1
	S4	10*	±1
Inner length	IL	TL-(S1+S2)	±2
Total length	TL	LLL	±2
No. of pins	N	NN	
Standard Conductor Dimension **	Thickness 1	0.035	±0.005
	Width	0.3	±0.02
Slanting	A	< 0.3	

* or customized length

** wire options see below

FASEGL-xx-H LVDS-FFC 10Gbit/sec 100Ω
for I-PEX Evaflex5 SE GVT and Evaflex5 SE GHT Series

Possible Types:

A = SAME = Same Side



Label or Print on this side: ElectronAix FACILxxH

B = OPP = Opposite Side



Label or Print on one side: ElectronAix FACILxxH.

Partnumber:

FASEGL			P		-	22		23	GH
FASEGL	T	NN	P	LLL	-	22	SS	23	GH
									Gold Plating High Speed
									Wire Dimension 0,28x0,032 no option
							SS= Supporter Tape Length; 10= Standard		
							Strip Length in mm – no option		
				LLL= Total Length in mm					
				P=Positions					
		NN= No of Wires: 10 to 80							
		T= Type: A= same Side / B= Opposite Side							
Product Series = FFC Aix Catcher Iriso LVDS									

Contact us for customization

- Double side shield
- Impedance 90Ohm for USB signals
- Super speed up to 17Gbit/sec
- High temperature up to 125°C
- Wire Dimension
- Folding
- Special print or labels

Environmental

The products meet EU RoHS Directive 2011/65/EU, including the delegated regulation (EU) 2015/863
 The products meet EU REACH Directive 1907/2006/EU



FASEGL-xx-H LVDS-FFC 10Gbit/sec 100Ω
for I-PEX Evaflex5 SE GVT and Evaflex5 SE GHT Series

1. Scope

For Laminated Flat Cable (Flat Conductor) With Reinforcing Tape

2. Applicable documents

The specification covers the construction and electrical properties of laminated flat cable (Flat Conductor) with reinforcing tape based on UL subject 757.

3. Material

3.1 Insulation: PET, White, T=0.06mm, UL20706 105°C 60V VW-1

3.2 P/ Tape: PET, T=0.225mm

3.3 Conductor: Cu, 0.28*0.032mm

3.4 Plating: Au (2µ" min)

4. Rating

4.1 Operating Voltage : 60V

4.2 Current Rating : 0.3A

4.3 Normal use Inserting: 5 cycles

4.4 Ambient Temperature Range: -40 ~ + °C 85°C

4.5 Warehouse Conditions: 25°C±15°C ; ≤60%RH

5. 6. Appearance

Reference 《DOC-JWI-QA0121-XXX FFC Inspection SOP

6 Tests

Item	Test Method	Specification
Conductor resistance	JIS C3102 at 20°C	2.6Ω/m
Insulation resistance	JIS-C3102	>100 MΩ
Dielectric withstanding voltage between conductors	AC250V 1min (0,5mm Pitch)	No Breakdown Current Leakage 1mA max
Flexing	180° bending	>20 Cycles
	U-Bending R5x50mm Stroke 60 cycles / min	>100.000 Cycles
Heat Resistance	+85°C 96hrs	Insulation and Dielectric withstanding Voltage pass
Cold Resistance	-40°C 96hrs	Insulation and Dielectric withstanding Voltage pass
High Temperature High Humidity	+60°C (90-95)%RH 96hrs	Insulation and Dielectric withstanding Voltage pass
Temperature Cycling	- 40°C 4hrs +25°C 2hrs +85°C 4hrs +25°C 2hrs	Insulation resistance and dielectric withstanding voltage pass
Salt Spray	+35°C 24hrs PH 6.5-7.2	before and after test, no corrosion and oxidation at contact area

**FASEGL-xx-H LVDS-FFC 10Gbit/sec 100Ω
for I-PEX Evaflex5 SE GVT and Evaflex5 SE GHT Series**

7 Special Attention

- 7.1 Please hold supporting tape then insert or pull out the ffc from a connector in a straight
- 7.2 When insert to connector, please avoid excessive force
- 7.3 After insert to connector, shall be not bended at Supporting-tape excessive, because Joiner is broken
- 7.4 For gold plated FFC, there is the Ni-plating, so please do not bend the FFC at the terminal part of Conductor. Otherwise a crack will be occurred at the plated part;
After insert into the Connector, please also do not bend the FFC at the part of Supporting-tape, Otherwise a crack will be occurred at the plated part.
- 7.5 Please avoid excessive force around supporting-tape
- 7.6 Please evaluate FFC properties in advance when use under Particular condition (High temperature, High Humidity etc). There is possibility to be corrosion after 6 month
- 7.7 Please avoid the moving wiring at bending portion
- 7.8 Please estimate enough when Joiner is used the moving wiring
- 7.9 When dropped floor, please clean Joiner's leads
- 7.10 Please do not touch the terminal part of Conductor by hand, for it will cause discolored or rusted
- 7.11 Please don't use the sulfurous material, together with FFC due to prevent short circuit between sulfurized conductors
- 7.12 Before Assembly: Expiry Date For One Year
After Assembly: Expiry Date For Fifteen Years