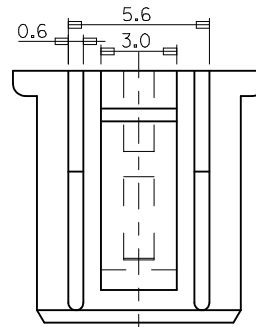
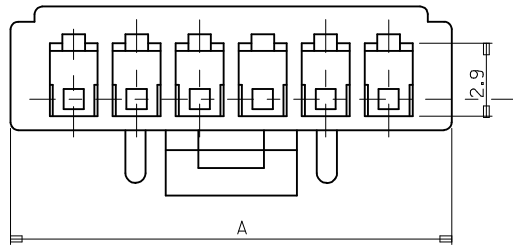
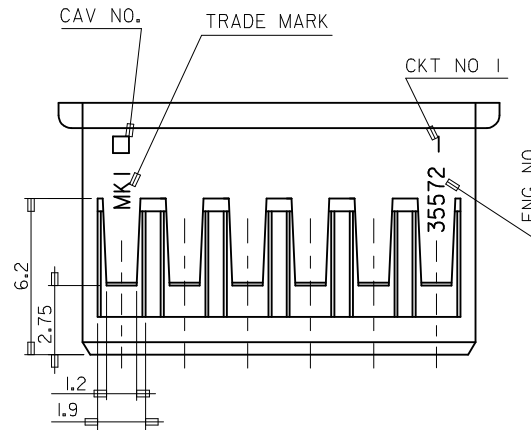
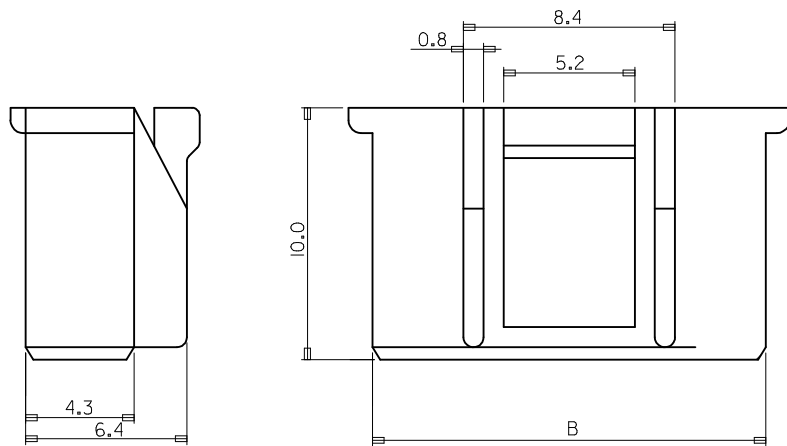
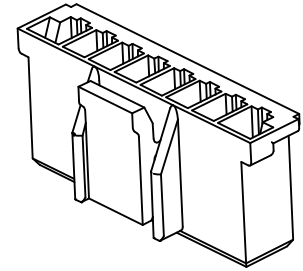


10 9 8 7 6 5 4 3 2 1

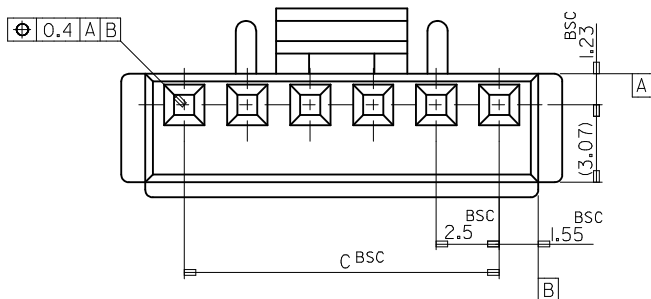


3 CT ONLY



NOTE.

1. MATERIAL : NYLON (PA66), UL94 V-0
2. COLOR : 0 : NATURAL
2 : RED (ONLY 4P,6P,10P)
3. APPLICABLE TERMINAL : 57915-8001
4. MATED WITH : 35312-***60/35184 SERIES
5. PRODUCT SPECIFICATION : PS-35572-001



20.0	23.1	25.0	35572-0900	9
17.5	20.6	22.5	35572-0800	8
15.0	18.1	20.0	35572-0700	7
30.0	33.1	35.0	35572-1300	13
27.5	30.6	32.5	35572-1200	12
25.0	28.1	30.0	35572-1100	11
22.5	25.6	27.5	35572-100*	10
C	B	A	ENG NO.	CKT

REVISED EC NO: KOR2016-0071 DRWN: CHONG03 2016/01/29 CHKD: SHCHU 2016/01/29 APPR: YSK1M02 2017/01/17	QUALITY SYMBOLS ▽=0 ◻=0	GENERAL TOLERANCES (UNLESS SPECIFIED) mm INCH 4 PLACES ± --- ± --- 3 PLACES ± --- ± --- 2 PLACES ± --- ± --- 1 PLACE ± 0.2 ± --- ANGULAR ± 1°	DIMENSION STYLE MM ONLY DRAWN BY DATE HS.SHIN 2000/02/17 CHECKED BY DATE JK.OH 2000/02/17 APPROVED BY DATE CW.LEE 2000/02/17	SCALE DESIGN UNITS METRIC THIRD ANGLE PROJECTION	TITLE 2.5 PITCH W/B CONN HOUSING
	DRAFT WHERE APPLICABLE MUST REMAIN WITHIN DIMENSIONS	MATERIAL NO. SEE TABLE	DOCUMENT NO. SD-35572-001	SHEET NO. 1 OF 01	
	THIS DRAWING CONTAINS INFORMATION THAT IS PROPRIETARY TO MOLEX INCORPORATED AND SHOULD NOT BE USED WITHOUT WRITTEN PERMISSION				
	SIZE A3				

9 8 7 6 5 4 3 2 1