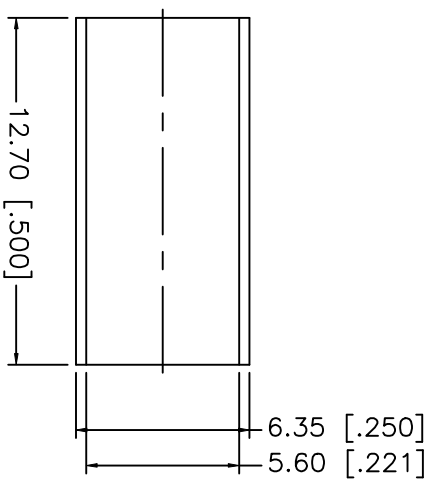
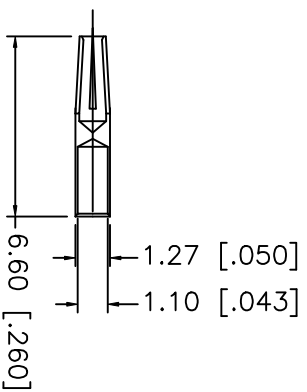
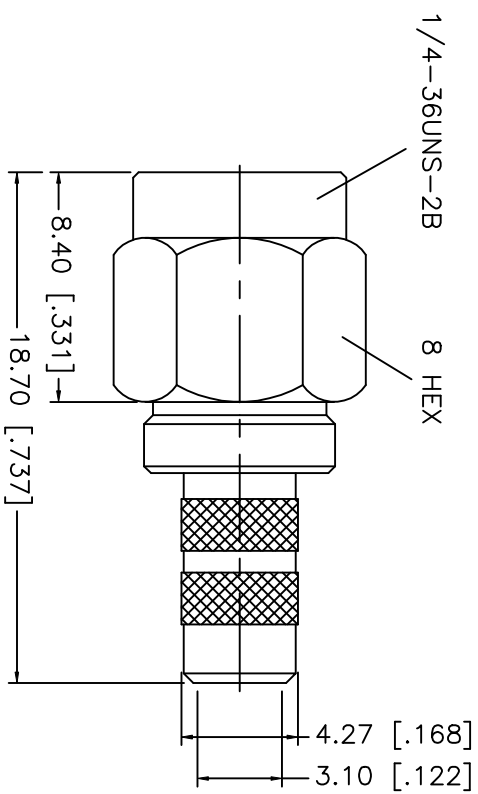
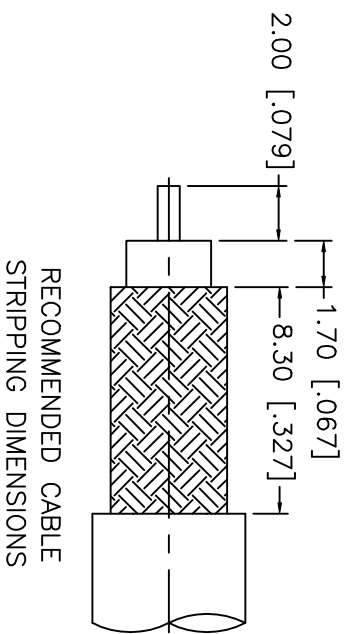


REV.	DATE	DESCRIPTION
NC	01/26/01	UPDATE TITLE BLOCK



- CRIMP NOTES:
1. CRIMPED FERRULE
HEX CRIMP SIZE .213"
 2. SOLDER CENTER CONTACT

8	UNLESS OTHERWISE SPECIFIED DIMENSIONS ARE IN MILLIMETERS	APPROVALS	DATE	TITLE	SCALE	PART NO.	SHEET
7	DIMENSIONS IN [] ARE IN INCHES FOR CUSTOMER REFERENCE ONLY <td>DRAWN G.R.S. <td>01/26/01 <td rowspan="4"> Amphenol - Connex SMA REVERSE POLARITY CRIMP PLUG (FOR RG-55/U, 142A/U, 223/U, 400/U) </td> <td>A</td> <td>99001</td> <td>1 OF 1</td> </td></td>	DRAWN G.R.S. <td>01/26/01 <td rowspan="4"> Amphenol - Connex SMA REVERSE POLARITY CRIMP PLUG (FOR RG-55/U, 142A/U, 223/U, 400/U) </td> <td>A</td> <td>99001</td> <td>1 OF 1</td> </td>	01/26/01 <td rowspan="4"> Amphenol - Connex SMA REVERSE POLARITY CRIMP PLUG (FOR RG-55/U, 142A/U, 223/U, 400/U) </td> <td>A</td> <td>99001</td> <td>1 OF 1</td>	Amphenol - Connex SMA REVERSE POLARITY CRIMP PLUG (FOR RG-55/U, 142A/U, 223/U, 400/U)	A	99001	1 OF 1
6		CHECKED			FSQM NO.	DWG. NO.	REV.
5		ISSUED			132195RP	132195RP.DWG	A
4							
3	FERRULE COPPER						
2	CONTACT PIN BER. COPPER						
1	INSULATOR TEFLON						
	BODY BRASS						
	FINISH GOLD						
	DESCRIPTION MATERIAL						