



8-Channel, Triple 2-Channel Multiplexers

DESCRIPTION

The DG9451, and DG9453 are high precision single and dual supply CMOS analog multiplexers. DG9451 is an 8-channel multiplexer, and the DG9453 is a triple 2-channel multiplexer or triple SPDT.

Designed to operate from a +2.7 V to +12 V single supply or from a ± 2.5 V to ± 5 V dual supplies, the DG9451, and DG9453 are fully specified at +12 V, +5 V and ± 5 V. All control logic inputs have guaranteed 1.4 V high limit when operating from +5 V or ± 5 V supplies and 1.65 V when operating from a +12 V supply.

The DG9451, and DG9453 are precision multiplexers of low leakage, low charge injection, and low parasitic capacitance. They conduct equally well in both directions, offer rail to rail analog signal handling and can be used both as multiplexers as well as de-multiplexers.

The DG9451, and DG9453 operating temperature is specified from -40 °C to +85 °C and are available in 16 pin TSSOP and the ultra compact 1.8 mm x 2.6 mm miniQFN16 packages.

FEATURES

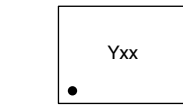
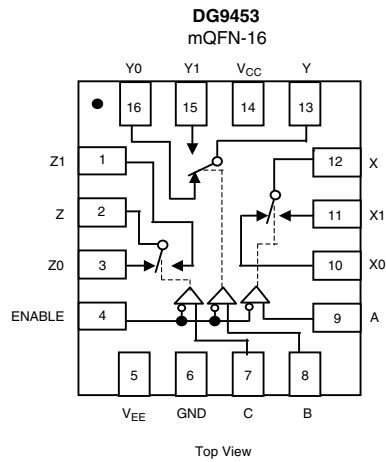
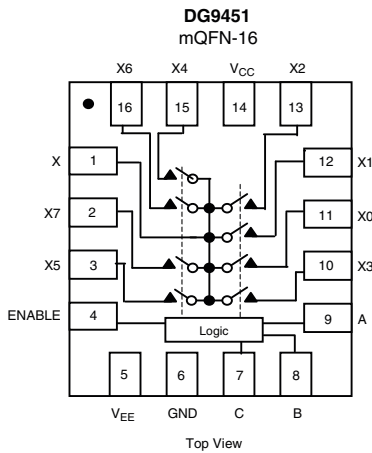
- +2.7 V to +12 V single supply operation
- ± 2.5 V to ± 5 V dual supply operation
- Fully specified at +12 V, +5 V, ± 5 V
- Low charge injection (< 0.5 pC typ.)
- High bandwidth: 270 MHz
- Low switch capacitance (C_{s(off)} 1 pF typ.)
- Good isolation and crosstalk performance (typ. -44 dB at 100 MHz)
- MiniQFN16 package (1.8 mm x 2.6 mm)
- Material categorization: for definitions of compliance please see www.vishay.com/doc?99912



APPLICATIONS

- Data acquisition
- Medical and healthcare devices
- Control and automation equipments
- Test instruments
- Touch panels
- Consumer

FUNCTIONAL BLOCK DIAGRAM AND PIN CONFIGURATION



Device Marking: Yxx for DG9451
(miniQFN16) 4xx for DG9453
xx = Date/Lot Traceability Code



TRUTH TABLE					
ENABLE INPUT	SELECT INPUTS			ON SWITCHES	
	C	B	A	DG9451	DG9453
H	X	X	X	All Switches Open	All Switches Open
L	L	L	L	X to X0	X to X0, Y to Y0, Z to Z0
L	L	L	H	X to X1	X to X1, Y to Y0, Z to Z0
L	L	H	L	X to X2	X to X0, Y to Y1, Z to Z0
L	L	H	H	X to X3	X to X1, Y to Y1, Z to Z0
L	H	L	L	X to X4	X to X0, Y to Y0, Z to Z1
L	H	L	H	X to X5	X to X1, Y to Y0, Z to Z1
L	H	H	L	X to X6	X to X0, Y to Y1, Z to Z1
L	H	H	H	X to X7	X to X1, Y to Y1, Z to Z1

ORDERING INFORMATION		
TEMP. RANGE	PACKAGE	PART NUMBER
DG9451, DG9453		
-40 °C to +125 °C ^a	16-Pin miniQFN	DG9451EN-T1-E4
		DG9453EN-T1-E4

Note

a. -40 °C to +85 °C datasheet limits apply.

ABSOLUTE MAXIMUM RATINGS (T _A = 25 °C, unless otherwise noted)				
PARAMETER			LIMIT	UNIT
V ₊ to V ₋			14	V
GND to V ₋			7	
Digital Inputs ^a , V _S , V _D			(V ₋) -0.3 to (V ₊) +0.3 or 30 mA, whichever occurs first	
Continuous Current (Any Terminal)			30	mA
Peak Current, S or D (Pulsed 1 ms, 10 % duty cycle)			100	
Storage Temperature			-65 to +150	°C
Power Dissipation ^b	16-Pin miniQFN ^{c, d}		525	mW
Thermal Resistance ^b	16-Pin miniQFN ^d		152	°C/W
Latch-up (per JESD78)			> 300	mA

Notes

- a. Signals on SX, DX, or INX exceeding V₊ or V₋ will be clamped by internal diodes. Limit forward diode current to maximum current ratings.
- b. All leads welded or soldered to PC board.
- c. Derate 6.6 mW/°C above 70 °C.
- d. Manual soldering with iron is not recommended for leadless components. The miniQFN-16 is a leadless package. The end of the lead terminal is exposed copper (not plated) as a result of the singulation process in manufacturing. A solder fillet at the exposed copper lip cannot be guaranteed and is not required to ensure adequate bottom side solder interconnection.



SPECIFICATIONS FOR DUAL SUPPLIES											
PARAMETER	SYMBOL	TEST CONDITIONS UNLESS OTHERWISE SPECIFIED $V_{CC} = +5\text{ V}$, $V_{EE} = -5\text{ V}$ $V_{IN(A, B, C \text{ AND } ENABLE)} = 1.4\text{ V}$, 0.3 V^a	TEMP. ^b	TYP. ^c	-40 °C to +125 °C		-40 °C to +85 °C		UNIT		
					MIN. ^d	MAX. ^d	MIN. ^d	MAX. ^d			
Analog Switch											
Analog Signal Range ^e	V_{ANALOG}		Full	-	-5	5	-5	5	V		
On-Resistance	R_{ON}	$I_S = 1\text{ mA}$, $V_D = -3\text{ V}$, 0 V , $+3\text{ V}$	Room	66	-	100	-	100	Ω		
			Full	-	-	125	-	118			
On-Resistance Match	ΔR_{ON}	$I_S = 1\text{ mA}$, $V_D = \pm 3\text{ V}$	Room	3	-	6	-	6	Ω		
Full	-	-	10	-	8						
On-Resistance Flatness	$R_{FLATNESS}$	$I_S = 1\text{ mA}$, $V_D = -3\text{ V}$, 0 V , $+3\text{ V}$	Room	10.2	-	16	-	16	Ω		
			Full	-	-	20	-	18			
Switch Off Leakage Current	$I_{S(off)}$	$V_+ = 5.5\text{ V}$, $V_- = -5.5\text{ V}$, $V_D = \pm 4.5\text{ V}$, $V_S = \mp 4.5\text{ V}$	Room	± 0.02	-1	1	-1	1	nA		
			Full	-	-50	50	-5	5			
	Room		± 0.02	-1	1	-1	1				
	Full		-	-50	50	-5	5				
Channel On Leakage Current	$I_{D(on)}$	$V_+ = 5.5\text{ V}$, $V_- = -5.5\text{ V}$, $V_S = V_D = \pm 4.5\text{ V}$	Room	± 0.02	-1	1	-1	1	nA		
			Full	-	-50	50	-5	5			
Digital Control											
$V_{IN(A, B, C \text{ and } ENABLE)}$ Low	V_{IL}		Full	-	-	0.3	-	0.3	V		
$V_{IN(A, B, C \text{ and } ENABLE)}$ High	V_{IH}		Full	-	1.4	-	1.4	-	V		
Input Current, V_{IN} Low	I_{IL}	$V_{IN(A, B, C \text{ and } ENABLE)}$ under test = 0.3 V	Full	0.01	-1	1	-1	1	μA		
Input Current, V_{IN} High	I_{IH}	$V_{IN(A, B, C \text{ and } ENABLE)}$ under test = 1.4 V	Full	0.01	-1	1	-1	1	μA		
Input Capacitance ^e	C_{IN}	$f = 1\text{ MHz}$	Room	3.4	-	-	-	-	pF		
Dynamic Characteristics											
Transition Time	t_{TRANS}	$R_L = 300\ \Omega$, $C_L = 35\text{ pF}$ see figure 1, 2, 3	Room	66	-	180	-	180	ns		
			Full	-	-	218	-	207			
Enable Turn-On Time	t_{ON}		Room	152	-	250	-	250			
			Full	-	-	295	-	282			
Enable Turn-Off Time	t_{OFF}		Room	60	-	125	-	125			
			Full	-	-	136	-	131			
Break-Before-Make Time Delay	t_D		Room	32	-	-	-	-			
			Full	-	-	13	-	13			
Off Isolation ^e	OIRR		$R_L = 50\ \Omega$, $C_L = 15\text{ pF}$	f = 100 kHz	Room	< -90	-	-		-	dB
				f = 10 MHz	Room	-65	-	-		-	
f = 100 MHz	Room	-44		-	-	-	-				
Channel-to-Channel Crosstalk ^e	X_{TALK}	f = 100 kHz		Room	< -90	-	-	-			
		f = 10 MHz		Room	-74	-	-	-			
f = 100 MHz	Room	-44		-	-	-	-				
Bandwidth, 3 dB	BW	$R_L = 50\ \Omega$	DG9451	Room	270	-	-	-	MHz		
		DG9453	Room	525	-	-	-				
Charge Injection ^e	Q	$V_g = 0\text{ V}$, $R_g = 0\ \Omega$, $C_L = 1\text{ nF}$	Room	0.20	-	-	-	pC			
Source Off Capacitance ^e	$C_{S(off)}$	f = 1 MHz	DG9451	Room	1	-	-	-	pF		
			DG9453	Room	1	-	-	-			
Drain Off Capacitance ^e	$C_{D(off)}$	f = 1 MHz	DG9451	Room	10	-	-	-			
			DG9453	Room	3	-	-	-			
Channel On Capacitance ^e	$C_{D(on)}$	f = 1 MHz	DG9451	Room	16	-	-	-			
			DG9453	Room	8	-	-	-			
Total Harmonic Distortion ^e	THD	Signal = 1 V_{RMS} , 20 Hz to 20 kHz, $R_L = 600\ \Omega$	Room	0.01	-	-	-	%			
Power Supplies											
Power Supply Current	I+	$V_{CC} = +5\text{ V}$, $V_{EE} = -5\text{ V}$ $V_{IN(A, B, C \text{ and } ENABLE)} = 0\text{ V}$ or 5 V	Room	0.05	-	1	-	1	μA		
			Full	-	-	10	-	10			
Negative Supply Current	I-		Room	-0.05	-1	-	-1	-			
			Full	-	-10	-	-10	-			
Ground Current	I_{GND}		Room	-0.05	-1	-	-1	-			
			Full	-	-10	-	-10	-			



SPECIFICATIONS FOR UNIPOLAR SUPPLIES

PARAMETER	SYMBOL	TEST CONDITIONS UNLESS OTHERWISE SPECIFIED $V_{CC} = +5\text{ V}$, $V_{EE} = 0\text{ V}$ $V_{IN(A, B, C \text{ AND } ENABLE)} = 1.4\text{ V}$, 0.3 V^a	TEMP. ^b	TYP. ^a	-40 °C to +125 °C		-40 °C to +85 °C		UNIT		
					MIN. ^d	MAX. ^d	MIN. ^d	MAX. ^d			
Analog Switch											
Analog Signal Range ^e	V_{ANALOG}		Full	-	0	5	0	5	V		
On-Resistance	R_{ON}	$I_S = 1\text{ mA}$, $V_D = 0\text{ V}$, $+3.5\text{ V}$	Room	105	-	165	-	165	Ω		
			Full	-	-	205	-	194			
On-Resistance Match	ΔR_{ON}	$I_S = 1\text{ mA}$, $V_D = +3.5\text{ V}$	Room	3.2	-	8	-	8	Ω		
			Full	-	-	13	-	10			
On-Resistance Flatness	$R_{FLATNESS}$	$I_S = 1\text{ mA}$, $V_D = 0\text{ V}$, $+3\text{ V}$	Room	17	-	26	-	26	Ω		
			Full	-	-	30	-	28			
Switch Off Leakage Current	$I_{S(off)}$	$V_+ = +5.5\text{ V}$, $V_- = 0\text{ V}$ $V_D = 1\text{ V}/4.5\text{ V}$, $V_S = 4.5\text{ V}/1\text{ V}$	Room	± 0.02	-1	1	-1	1	nA		
			Full	-	-50	50	-5	5			
	$I_{D(off)}$		Room	± 0.02	-1	1	-1	1			
			Full	-	-50	50	-5	5			
Channel On Leakage Current	$I_{D(on)}$	$V_+ = +5.5\text{ V}$, $V_- = 0\text{ V}$ $V_D = V_S = 1\text{ V}/4.5\text{ V}$	Room	± 0.02	-1	1	-1	1			
			Full	-	-50	50	-5	5			
Digital Control											
$V_{IN(A, B, C \text{ and } ENABLE)}$ Low	V_{IL}		Full	-	-	0.3	-	0.3	V		
$V_{IN(A, B, C \text{ and } ENABLE)}$ High	V_{IH}		Full	-	1.4	-	1.4		V		
Input Current, V_{IN} Low	I_L	$V_{IN(A, B, C \text{ and } ENABLE)}$ under test = 0.3 V	Full	0.01	-1	1	-1	1	μA		
Input Current, V_{IN} High	I_H	$V_{IN(A, B, C \text{ and } ENABLE)}$ under test = 1.4 V	Full	0.01	-1	1	-1	1	μA		
Dynamic Characteristics											
Transition Time	t_{TRANS}	$R_L = 300\ \Omega$, $C_L = 35\text{ pF}$ See Figure 1, 2, 3	Room	79	-	205	-	205	ns		
			Full	-	-	295	-	285			
Enable Turn-On Time	t_{ON}		Room	220	-	335	-	335			
			Full	-	-	403	-	393			
Enable Turn-Off Time	t_{OFF}		Room	93	-	150	-	150			
			Full	-	-	173	-	163			
Break-Before-Make Time Delay	t_D		Room	36	-	-	-	-			
			Full	-	-	20	-	20			
Charge Injection ^e	Q		$V_g = 0\text{ V}$, $R_g = 0\ \Omega$, $C_L = 1\text{ nF}$	Full	0.81	-	-	-		-	pC
Off Isolation ^e	OIRR		$R_L = 50\ \Omega$, $C_L = 15\text{ pF}$ $f = 100\text{ kHz}$	Room	< -90	-	-	-		-	dB
Channel-to-Channel Crosstalk ^e	X_{TALK}	Room		< -90	-	-	-	-			
Dynamic Characteristics											
Source Off Capacitance ^e	$C_{S(off)}$	$f = 1\text{ MHz}$	DG9451	Room	1	-	-	-	-	pF	
			DG9453	Room	1	-	-	-	-		
Drain Off Capacitance ^e	$C_{D(off)}$	$f = 1\text{ MHz}$	DG9451	Room	11	-	-	-			
			DG9453	Room	3	-	-	-	-		
Channel On Capacitance ^e	$C_{D(on)}$	$f = 1\text{ MHz}$	DG9451	Room	17	-	-	-			
			DG9453	Room	9	-	-	-	-		
Power Supplies											
Power Supply Current	I_+	$V_{IN(A, B, C \text{ and } ENABLE)} = 0\text{ V}$ or 5 V	Room	0.05	-	1	-	1	μA		
			Full	-	-	10	-	10			
Negative Supply Current	I_-		Room	-0.05	-1	-	-1	-			
			Full	-	-10	-	-10	-			
Ground Current	I_{GND}		Room	-0.05	-1	-	-1	-			
			Full	-	-10	-	-10	-			



SPECIFICATIONS FOR UNIPOLAR SUPPLIES										
PARAMETER	SYMBOL	TEST CONDITIONS UNLESS OTHERWISE SPECIFIED $V_{CC} = +12\text{ V}$, $V_{EE} = 0\text{ V}$ $V = 1.6\text{ V}$, 0.5 V^a	TEMP. ^b	TYP. ^c	-40 °C to +125 °C		-40 °C to +85 °C		UNIT	
					MAX. ^d	MIN. ^d	MIN. ^d	MAX. ^d		
Analog Switch										
Analog Signal Range ^e	V_{ANALOG}		Full	-	0	12	0	12	V	
On-Resistance	R_{ON}	$I_S = 1\text{ mA}$, $V_D = 0.7\text{ V}$, 6 V, 11.3 V	Room	68	-	105	-	105	Ω	
			Full	-	143	-	137			
On-Resistance Match	ΔR_{ON}	$I_S = 1\text{ mA}$, $V_D = +0.7\text{ V}$	Room	4	-	7	-	7		
			Full	-	10	-	8			
On-Resistance Flatness	$R_{FLATNESS}$	$I_S = 1\text{ mA}$, $V_D = 0.7\text{ V}$, +11.3 V	Room	32	-	45	-	45	Ω	
			Full	-	49	-	47			
Switch Off Leakage Current	$I_{S(off)}$	$V_+ = +12\text{ V}$, $V_- = 0\text{ V}$ $V_D = 1\text{ V}/11\text{ V}$, $V_S = 11\text{ V}/1\text{ V}$	Room	± 0.02	-1	1	-1	1	nA	
			Full	-	-50	50	-5	5		
	$I_{D(off)}$		Room	± 0.02	-1	1	-1	1		
			Full	-	-50	50	-5	5		
Channel On Leakage Current	$I_{D(on)}$	$V_+ = +12\text{ V}$, $V_- = 0\text{ V}$ $V_D = V_S = 1\text{ V}/11\text{ V}$	Room	± 0.02	-1	1	-1	1	nA	
			Full	-	-50	50	-5	5		
Digital Control										
$V_{IN(A, B, C \text{ and } ENABLE)}$ Low	V_{IL}		Full	-	-	0.5	-	0.5	V	
$V_{IN(A, B, C \text{ and } ENABLE)}$ High	V_{IH}		Full	-	1.6	-	1.6	-		
Input Current, V_{IN} Low	I_L	$V_{IN(A, B, C \text{ and } ENABLE)}$ under test = 0.5 V	Full	0.01	-1	1	-1	1	μA	
Input Current, V_{IN} High	I_H	$V_{IN(A, B, C \text{ and } ENABLE)}$ under test = 1.6 V	Full	0.01	-1	1	-1	1		
Dynamic Characteristics										
Transition Time	t_{TRANS}	$R_L = 300\ \Omega$, $C_L = 35\text{ pF}$ see figure 1, 2, 3	Room	55	-	135	-	135	ns	
			Full	-	-	166	-	155		
Enable Turn-On Time	t_{ON}		Room	106	-	185	-	185		
			Full	-	-	219	-	205		
Enable Turn-Off Time	t_{OFF}		Room	65	-	130	-	130		
			Full	-	-	144	-	137		
Break-Before-Make Time Delay	t_D		Room	30	-	-	-	-		
			Full	-	-	12	-	12		
Charge Injection ^e	Q	$V_q = 0\text{ V}$, $R_q = 0\ \Omega$, $C_L = 1\text{ nF}$	Room	0.79	-	-	-	-	pC	
Dynamic Characteristics										
Off Isolation ^e	OIRR	$R_L = 50\ \Omega$, $C_L = 15\text{ pF}$ $f = 100\text{ kHz}$	Room	< -90	-	-	-	-	dB	
Channel-to-Channel Crosstalk ^e	X_{TALK}		Room	< -90	-	-	-	-		
Source Off Capacitance ^e	$C_{S(off)}$	$f = 1\text{ MHz}$	DG9451	Room	1	-	-	-	pF	
			DG9453	Room	1	-	-	-		
Drain Off Capacitance ^e	$C_{D(off)}$	$f = 1\text{ MHz}$	DG9451	Room	9	-	-	-		
			DG9453	Room	3	-	-	-		
Channel On Capacitance ^e	$C_{D(on)}$	$f = 1\text{ MHz}$	DG9451	Room	15	-	-	-		
			DG9453	Room	8	-	-	-		
Power Supplies										
Power Supply Current	I_+	$V_{IN(A, B, C \text{ and } ENABLE)} = 0\text{ V}$ or 12 V	Room	0.05	-	1	-	1	μA	
			Full	-	-	10	-	10		
Negative Supply Current	I_-		Room	-0.05	-1	-	-1	-		
			Full	-	-10	-	-10	-		
Ground Current	I_{GND}		Room	-0.05	-1	-	-1	-		
			Full	-	-10	-	-10	-		

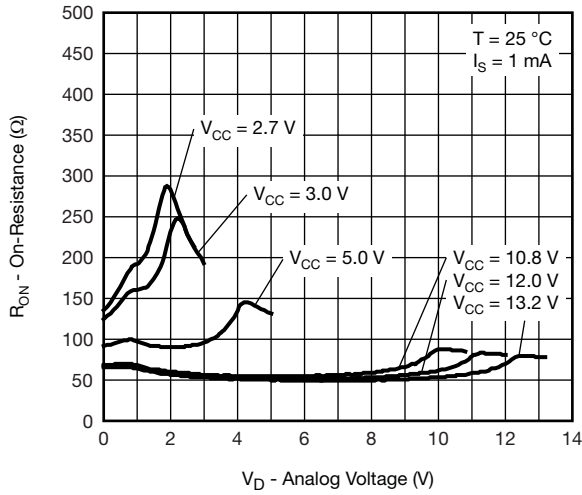
Notes

- a. V_{IN} = input voltage to perform proper function.
- b. Room -25 °C, Full = as determined by the operating temperature suffix.
- c. Typical values are for DESIGN AID ONLY, not guaranteed nor subject to production testing.
- d. The algebraic convention whereby the most negative value is a minimum and the most positive a maximum, is used in this data sheet.
- e. Guaranteed by design, not subject to production test.

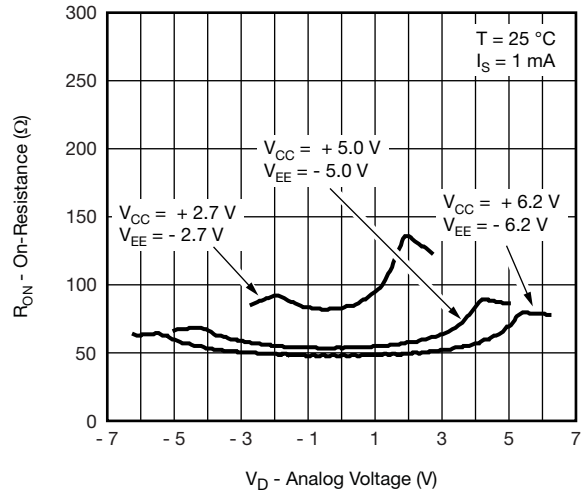
Stresses beyond those listed under "Absolute Maximum Ratings" may cause permanent damage to the device. These are stress ratings only, and functional operation of the device at these or any other conditions beyond those indicated in the operational sections of the specifications is not implied. Exposure to absolute maximum rating conditions for extended periods may affect device reliability.



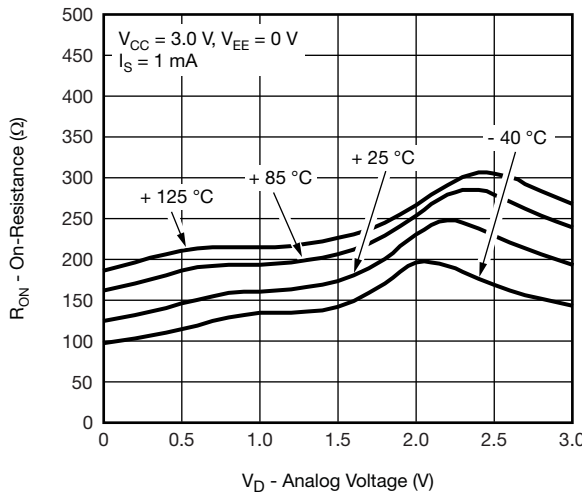
TYPICAL CHARACTERISTICS (25 °C, unless otherwise noted)



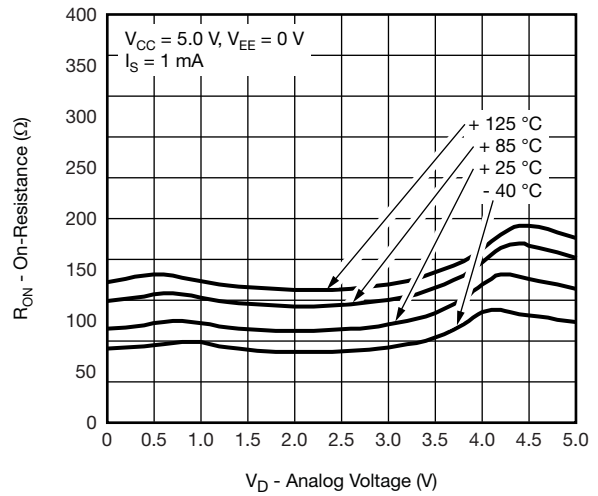
On-Resistance vs. V_D and Signal Supply Voltage



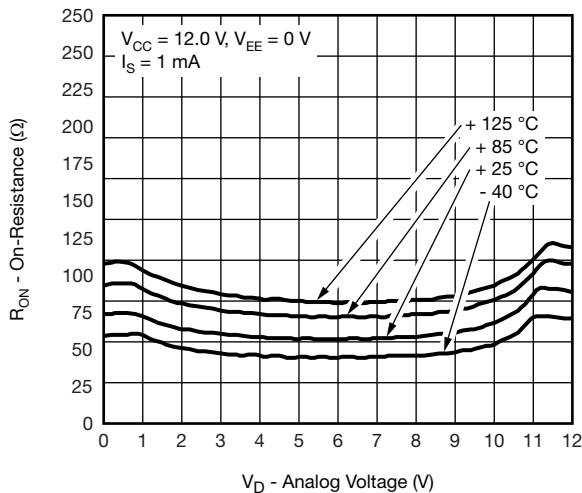
On-Resistance vs. Analog Voltage and Temperature



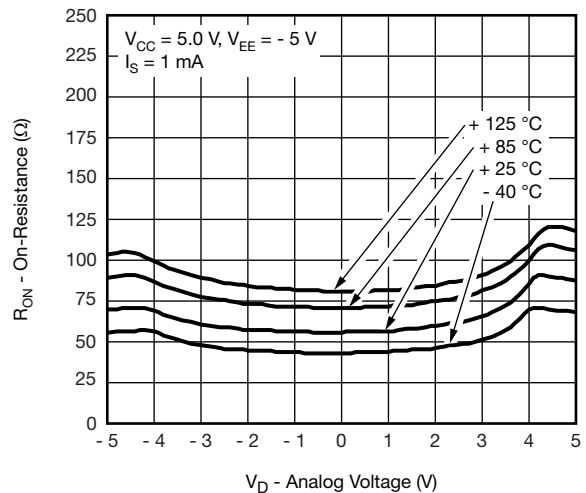
On-Resistance vs. Analog Voltage and Temperature



On-Resistance vs. Analog Voltage and Temperature



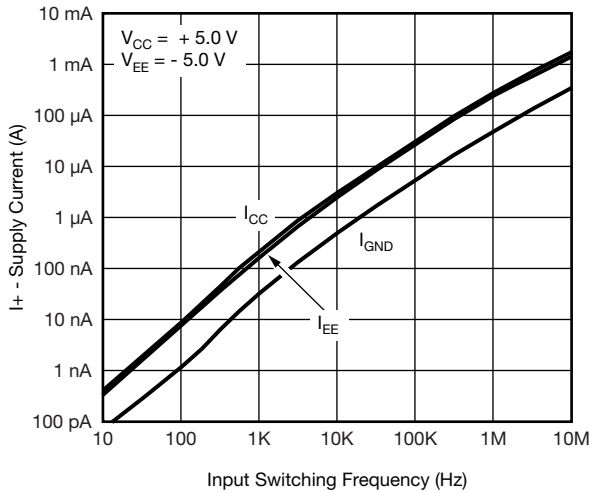
On-Resistance vs. Analog Voltage and Temperature



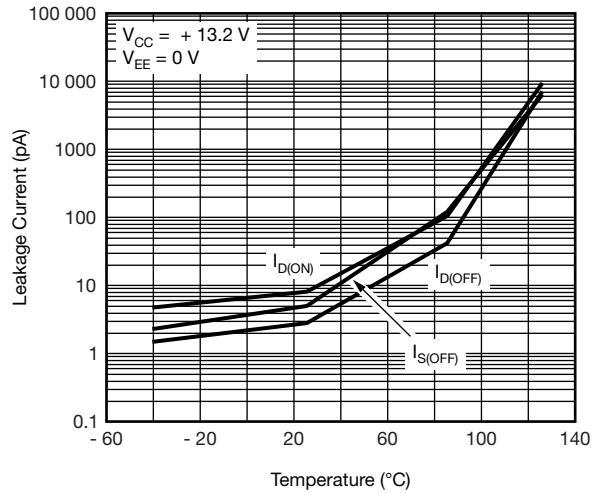
On-Resistance vs. Analog Voltage and Temperature



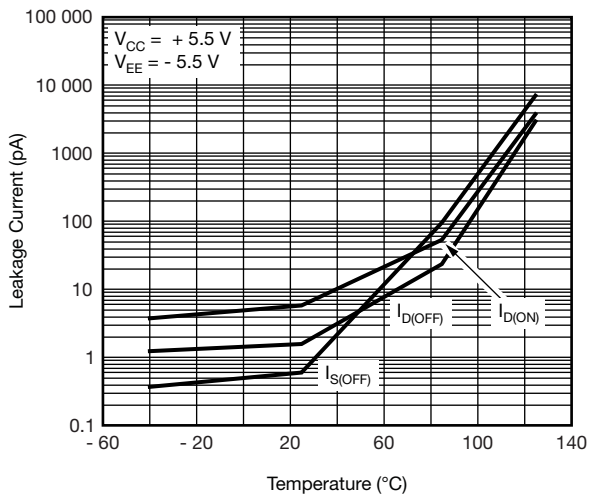
TYPICAL CHARACTERISTICS (25 °C, unless otherwise noted)



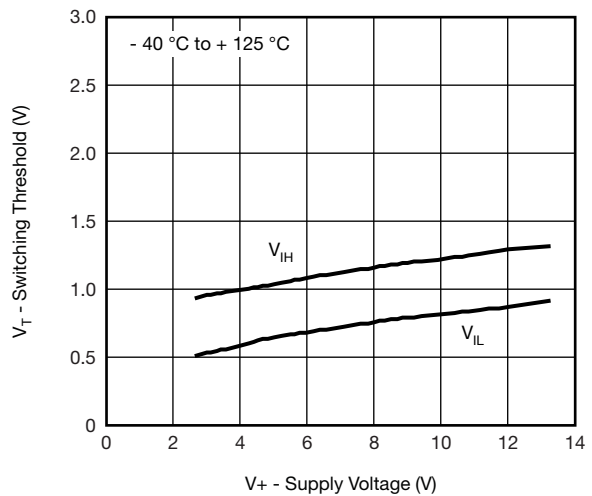
Supply Current vs. Input Switching Frequency



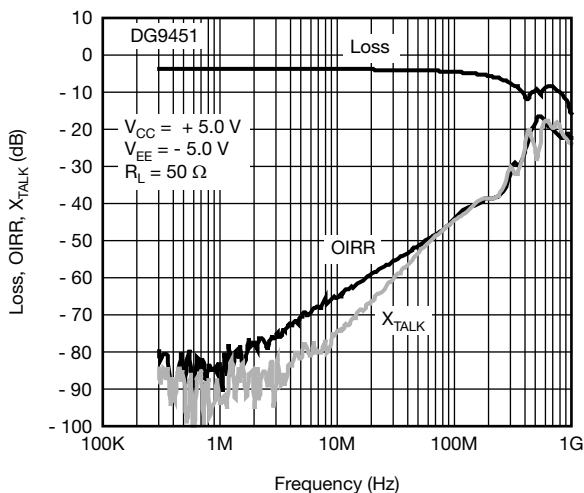
Leakage Current vs. Temperature



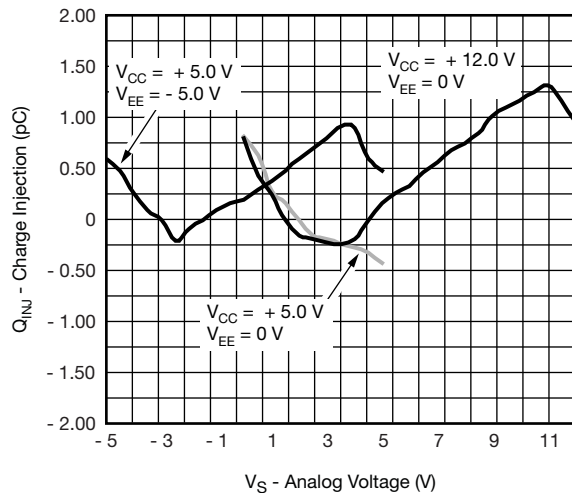
Leakage Current vs. Temperature



Switching Threshold vs. Supply Voltage

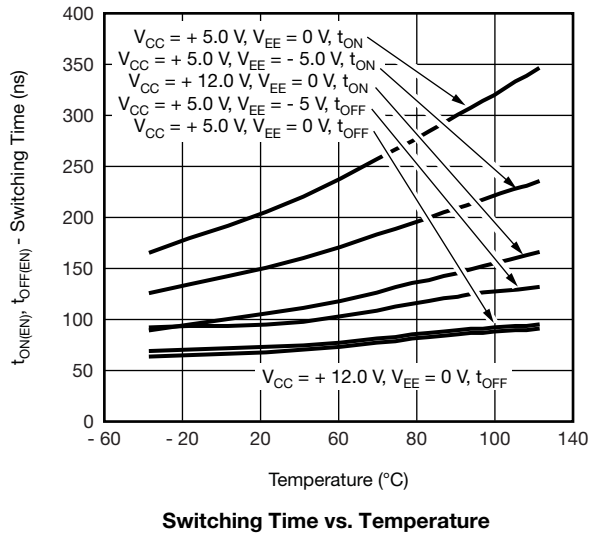
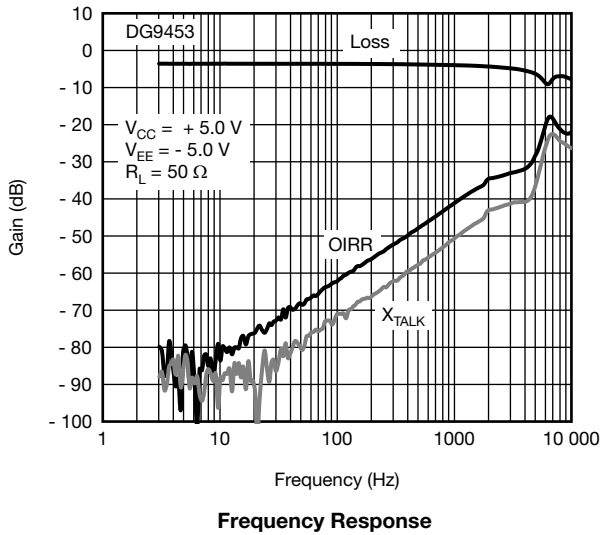


DG9451 Insertion Loss, Off-Isolation, Crosstalk vs. Frequency



DG9451 Charge Injection vs. Analog Voltage

TYPICAL CHARACTERISTICS (25 °C, unless otherwise noted)



TEST CIRCUITS

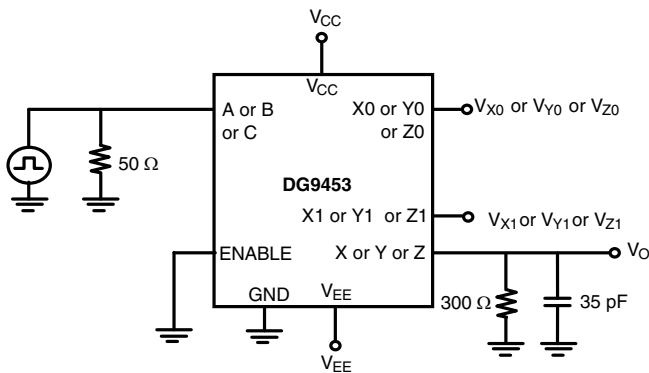
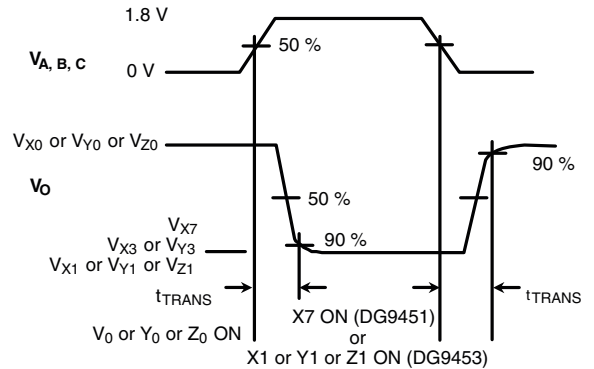
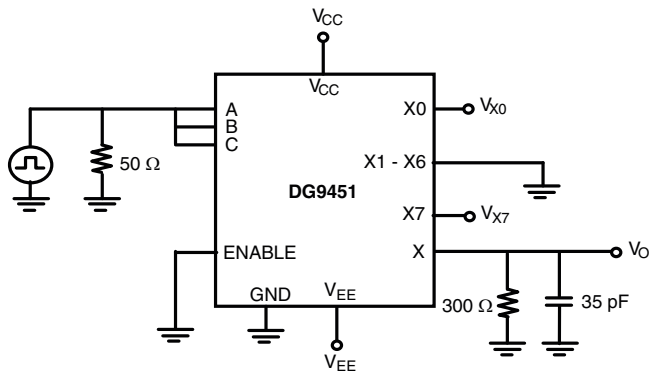
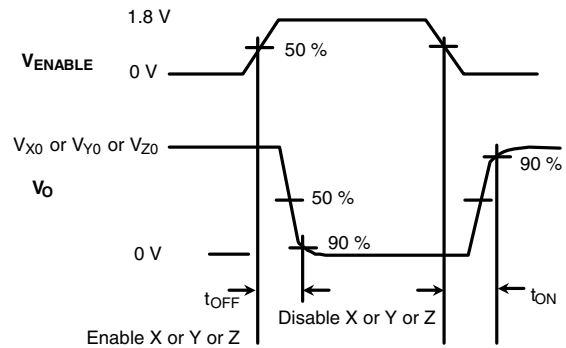
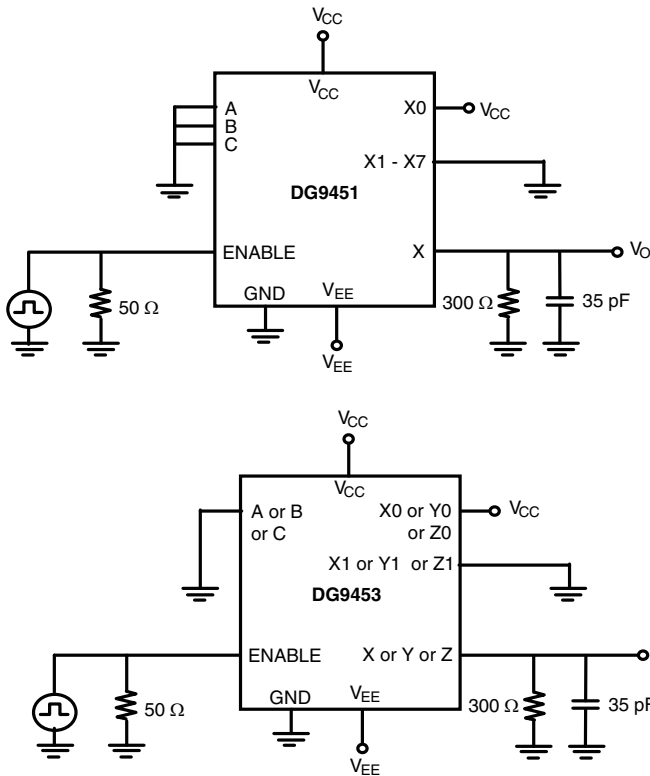
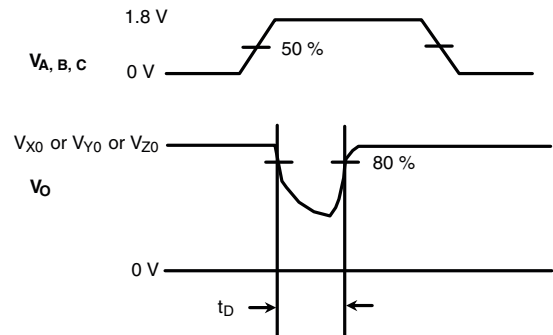
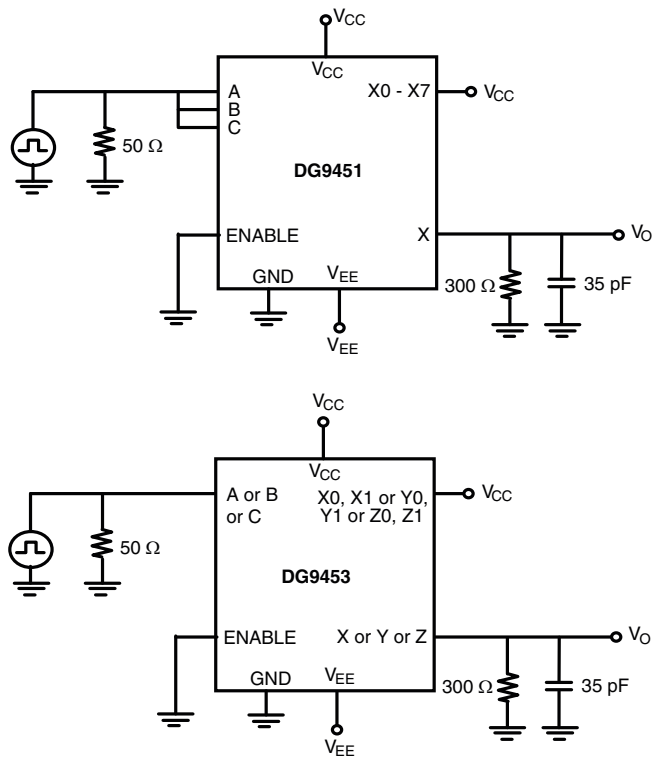


Fig. 1 - Transition Time

TEST CIRCUITS

Fig. 2 - Enable Switching Time

Fig. 3 - Break-Before-Make

TEST CIRCUITS

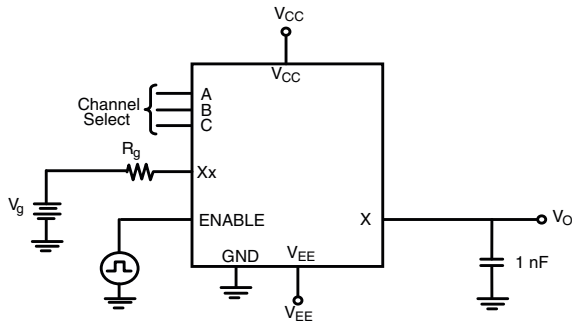
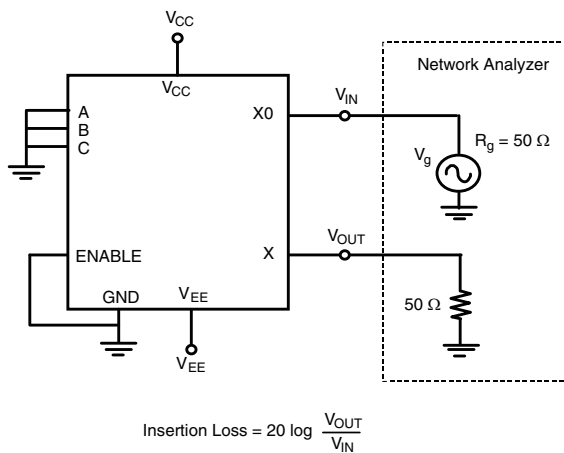
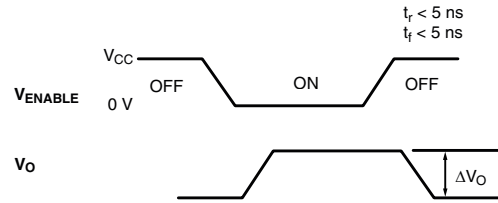
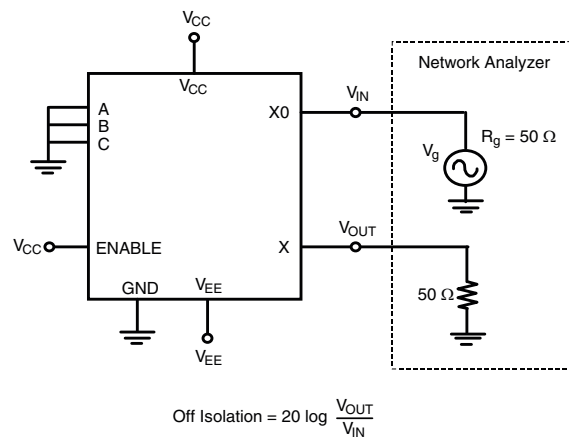


Fig. 4 - Charge Injection



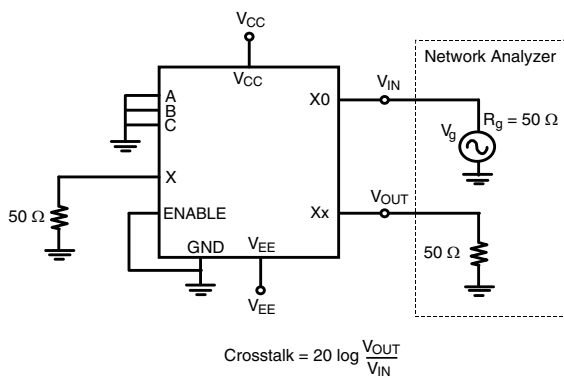
$$\text{Insertion Loss} = 20 \log \frac{V_{OUT}}{V_{IN}}$$

Fig. 5 - Insertion Loss



$$\text{Off Isolation} = 20 \log \frac{V_{OUT}}{V_{IN}}$$

Fig. 7 - Off Isolation



$$\text{Crosstalk} = 20 \log \frac{V_{OUT}}{V_{IN}}$$

Fig. 6 - Crosstalk

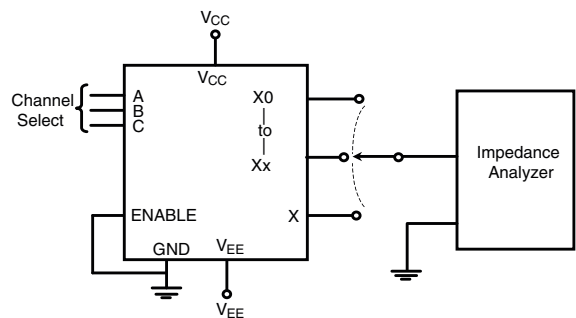
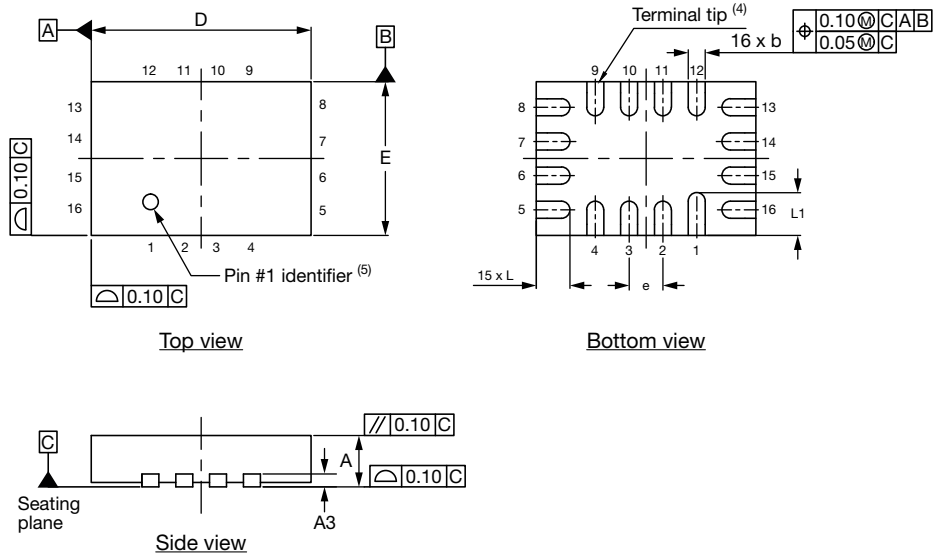


Fig. 8 - Source, Drain Capacitance

Vishay Siliconix maintains worldwide manufacturing capability. Products may be manufactured at one of several qualified locations. Reliability data for Silicon Technology and Package Reliability represent a composite of all qualified locations. For related documents such as package/tape drawings, part marking, and reliability data, see www.vishay.com/ppg?65020.

Thin miniQFN16 Case Outline



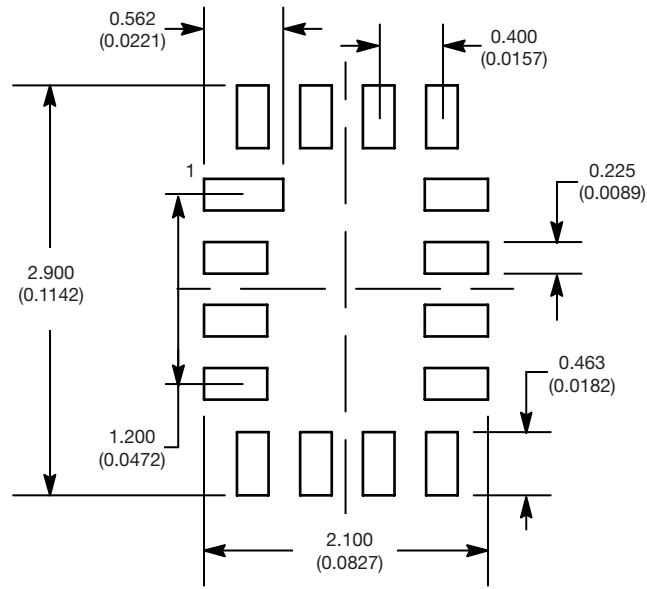
DIMENSIONS	MILLIMETERS ⁽¹⁾			INCHES		
	MIN.	NOM.	MAX.	MIN.	NOM.	MAX.
A	0.50	0.55	0.60	0.020	0.022	0.024
A1	0	-	0.05	0	-	0.002
A3	0.15 ref.			0.006 ref.		
b	0.15	0.20	0.25	0.006	0.008	0.010
D	2.50	2.60	2.70	0.098	0.102	0.106
e	0.40 BSC			0.016 BSC		
E	1.70	1.80	1.90	0.067	0.071	0.075
L	0.35	0.40	0.45	0.014	0.016	0.018
L1	0.45	0.50	0.55	0.018	0.020	0.022
N ⁽³⁾	16			16		
Nd ⁽³⁾	4			4		
Ne ⁽³⁾	4			4		

Notes

- (1) Use millimeters as the primary measurement.
- (2) Dimensioning and tolerances conform to ASME Y14.5M. - 1994.
- (3) N is the number of terminals. Nd and Ne is the number of terminals in each D and E site respectively.
- (4) Dimensions b applies to plated terminal and is measured between 0.15 mm and 0.30 mm from terminal tip.
- (5) The pin 1 identifier must be existed on the top surface of the package by using identification mark or other feature of package body.
- (6) Package warpage max. 0.05 mm.

ECN: T16-0226-Rev. B, 09-May-16
DWG: 6023

RECOMMENDED MINIMUM PADS FOR MINI QFN 16L



Mounting Footprint
Dimensions in mm (inch)



Disclaimer

ALL PRODUCT, PRODUCT SPECIFICATIONS AND DATA ARE SUBJECT TO CHANGE WITHOUT NOTICE TO IMPROVE RELIABILITY, FUNCTION OR DESIGN OR OTHERWISE.

Vishay Intertechnology, Inc., its affiliates, agents, and employees, and all persons acting on its or their behalf (collectively, "Vishay"), disclaim any and all liability for any errors, inaccuracies or incompleteness contained in any datasheet or in any other disclosure relating to any product.

Vishay makes no warranty, representation or guarantee regarding the suitability of the products for any particular purpose or the continuing production of any product. To the maximum extent permitted by applicable law, Vishay disclaims (i) any and all liability arising out of the application or use of any product, (ii) any and all liability, including without limitation special, consequential or incidental damages, and (iii) any and all implied warranties, including warranties of fitness for particular purpose, non-infringement and merchantability.

Statements regarding the suitability of products for certain types of applications are based on Vishay's knowledge of typical requirements that are often placed on Vishay products in generic applications. Such statements are not binding statements about the suitability of products for a particular application. It is the customer's responsibility to validate that a particular product with the properties described in the product specification is suitable for use in a particular application. Parameters provided in datasheets and / or specifications may vary in different applications and performance may vary over time. All operating parameters, including typical parameters, must be validated for each customer application by the customer's technical experts. Product specifications do not expand or otherwise modify Vishay's terms and conditions of purchase, including but not limited to the warranty expressed therein.

Except as expressly indicated in writing, Vishay products are not designed for use in medical, life-saving, or life-sustaining applications or for any other application in which the failure of the Vishay product could result in personal injury or death. Customers using or selling Vishay products not expressly indicated for use in such applications do so at their own risk. Please contact authorized Vishay personnel to obtain written terms and conditions regarding products designed for such applications.

No license, express or implied, by estoppel or otherwise, to any intellectual property rights is granted by this document or by any conduct of Vishay. Product names and markings noted herein may be trademarks of their respective owners.