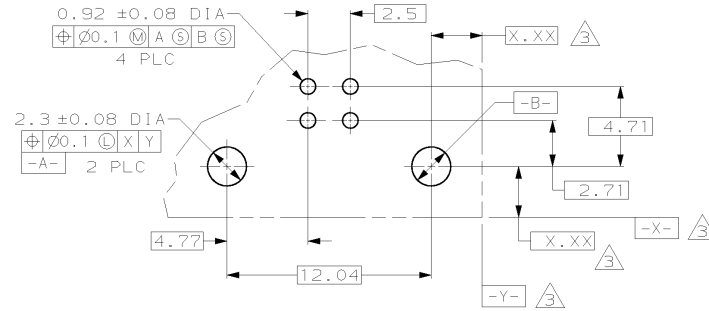
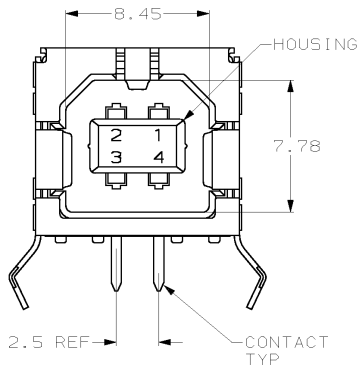
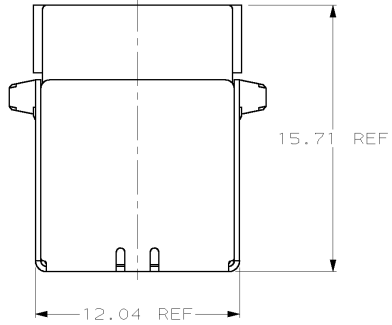
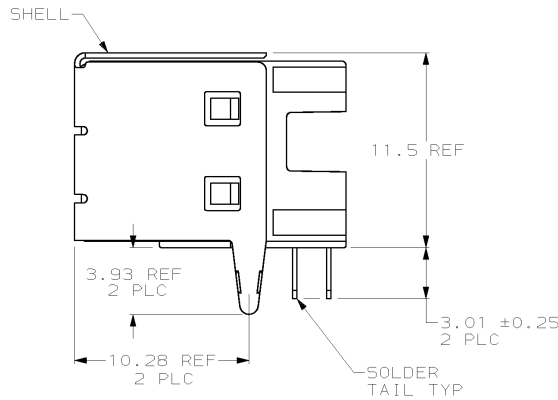


LOC	DTST	REVISIONS					
J	00	P	LTR	DESCRIPTION	DATE	OWN	APVD
		F		REVISED PER EC 0513-0426-03	11 JAN04	JG	JG



PC BOARD MOUNTING DIMENSIONS $\Delta 4$



- $\Delta 1$ MATERIAL:
SHELL & CONTACTS: COPPER ALLOY.
HOUSING: UL 94V-0 RATED, THERMOPLASTIC, BLACK.
- $\Delta 2$ PLATING:
CONTACTS: 0.076 μ m MINIMUM GOLD OVER 0.76 μ m MINIMUM PALLADIUM-NICKEL ON MATING AREA.
3.8 μ m MINIMUM TIN-LEAD ON SOLDER TAILS.
BOTH OVER 1.27 μ m MINIMUM NICKEL.
CONTACT ALTERNATE PLATING: 0.76 μ m MIN GOLD ON MATING AREA, 3.8 μ m MIN TIN-LEAD ON SOLDER TAILS, BOTH OVER 1.27 μ m MIN NICKEL.
SHELL: 5.1 μ m MINIMUM TIN.
- $\Delta 3$ DATUM AND BASIC DIMENSIONS ESTABLISHED BY CUSTOMER.
- $\Delta 4$ RECOMMENDED PC BOARD THICKNESS OF 1.57.
- $\Delta 5$ PLATING:
CONTACTS: 0.76 μ m MINIMUM GOLD ON MATING AREA, 3.8 μ m MINIMUM TIN-LEAD ON SOLDER TAILS, BOTH OVER 1.27 μ m MINIMUM NICKEL.
SHELL: 5.1 μ m MINIMUM TIN.
- $\Delta 6$ PLATING:
CONTACTS: 0.38 μ m MINIMUM GOLD ON MATING AREA, 3.8 μ m MINIMUM TIN-LEAD ON SOLDER TAILS, BOTH OVER 1.27 μ m MINIMUM NICKEL.
SHELL: 5.1 μ m MINIMUM TIN.

$\Delta 6$	NO	BLACK	787780-5
$\Delta 5$	NO	BLACK	787780-4
$\Delta 2$	YES	BLACK	787780-3
$\Delta 2$	YES	NATURAL	787780-2
$\Delta 2$	NO	BLACK	787780-1
PLATING	HIGH TEMPERATURE COMPATIBLE	HOUSING COLOR	PART NUMBER

DIMENSIONS:		TOLERANCES UNLESS OTHERWISE SPECIFIED:		DATE		AMP	
mm		0 PLC	±	30	AUG 95	AMP Incorporated Harrisburg, PA 17105-3608	
		1 PLC	±	31	AUG 95	RECEPTACLE ASSEMBLY, RIGHT ANGLE, 4 POSITION, THRU-HOLE, TYPE B, UNIVERSAL SERIAL BUS	
		2 PLC	±	18	JUN 96		
		3 PLC	±			PRODUCT SPEC	
		4 PLC	±			SCALE: CODE: DRAWING NO:	
		ANGLES	±			PART NUMBER: A2 00779 C=787780	
		FINISH	±			SCALE: 5:1 SHEET 1 OF 1 REV F	

787780

B

A