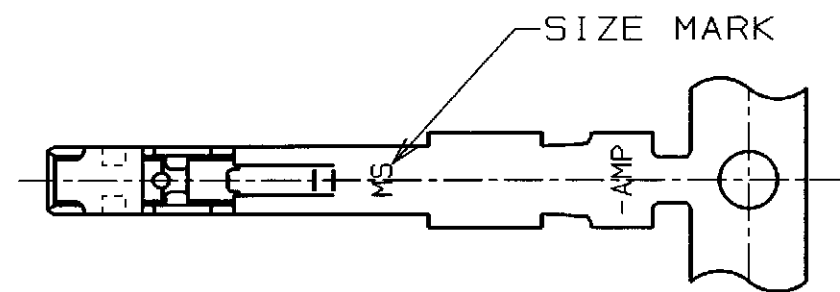
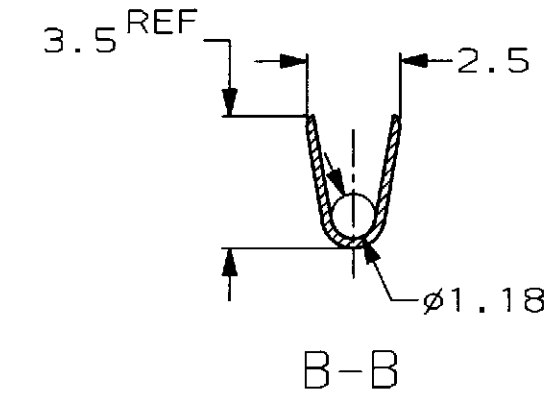
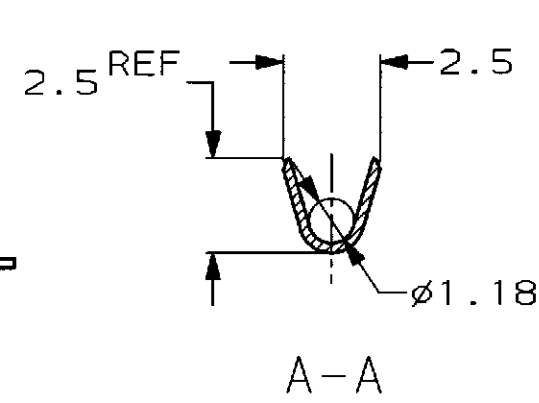
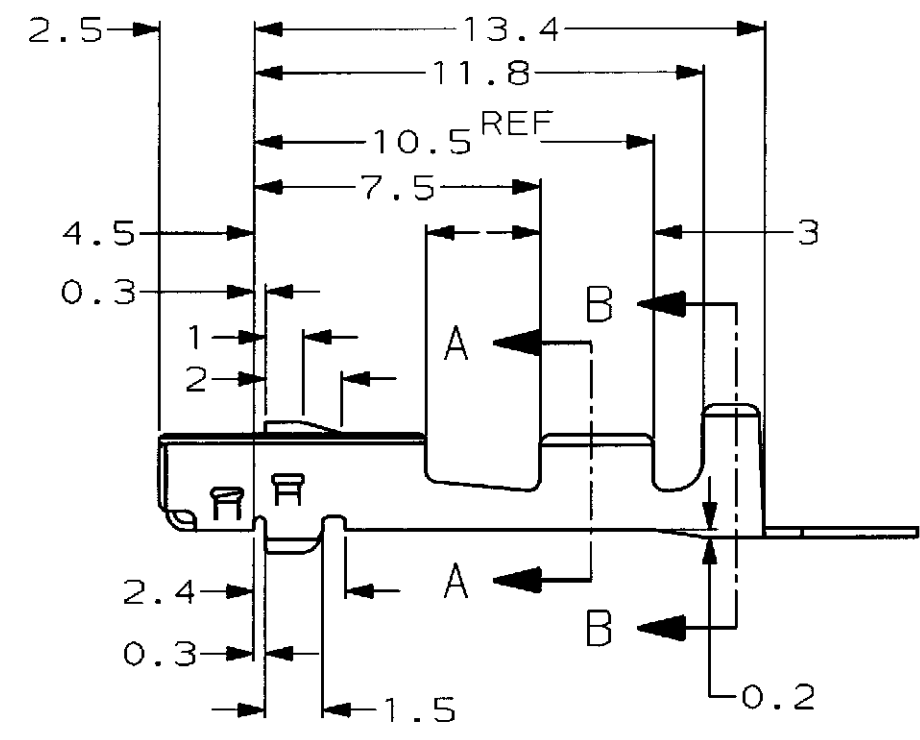
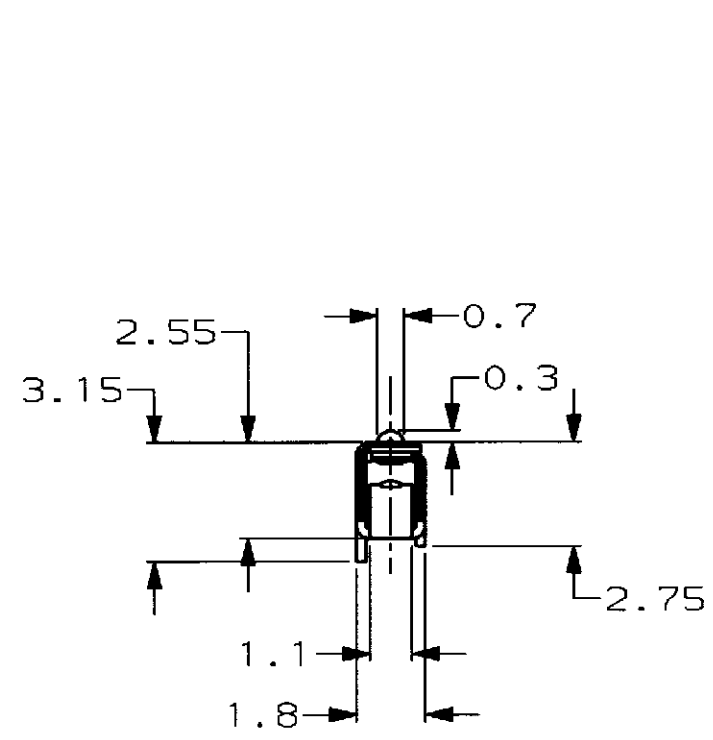
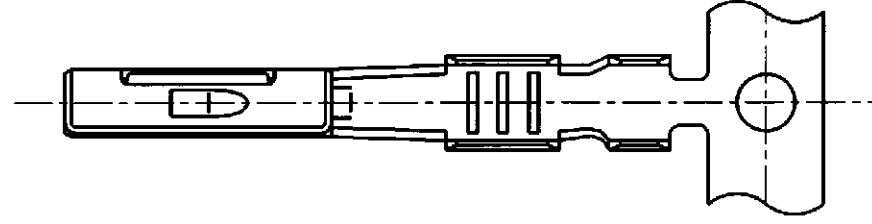


| LOC | DIST | REVISIONS |     |             |              |         |     |      |
|-----|------|-----------|-----|-------------|--------------|---------|-----|------|
| J   | -    | P         | LTR | DESCRIPTION | ECN          | DATE    | DWN | APVD |
|     |      | 0         | 作成  | RELEASED    | FJ00-0155-98 | 18MAY98 | ES  | MT   |
|     |      | A         | 変更  | REVISED     | FJ00-2107-98 | 9NOV98  | ES  | MT   |
|     |      | B         | 変更  | REVISED     | FJ00-2328-98 | 16DEC98 | ES  | MT   |



- 1. 適用電線 ; AVSS,CAVS,CAVUS 0.85mm<sup>2</sup>
- 1. APPLICABLE WIRE RANGE ; AVSS,CAVS,CAVUS 0.85mm<sup>2</sup>

THIS DRAWING IS A CONTROLLED DOCUMENT FOR AMP INCORPORATED. IT IS SUBJECT TO CHANGE AND THE CONTROLLING ENGINEERING ORGANIZATION SHOULD BE CONTACTED FOR THE LATEST REVISION.

|                                   |  |
|-----------------------------------|--|
| DIMENSIONS<br>単位・種<br>mm          | TOLERANCES UNLESS OTHERWISE SPECIFIED<br>一般公差<br>10 <sub>μ</sub> : ±0.2<br>30 <sub>μ</sub> : ±0.25<br>100 <sub>μ</sub> : ±0.3<br>ANGLE : ±3° |
| MATERIAL<br>材料<br>Cu ALLOY<br>銅合金 | FINISH<br>仕上<br>SEE TABLE<br>表参照   |

|  |                                 |                                  |
|--|---------------------------------|----------------------------------|
| DWN<br>E. SASAKI<br>18MAY98            | CHK<br>M. TSUKAKOSHI<br>18MAY98 | APVD<br>M. TSUKAKOSHI<br>18MAY98 |
| PRODUCT SPEC<br>製品規格<br>-- --          |                                 |                                  |
| APPLICATION SPEC<br>取付適用規格<br>114-5217 |                                 |                                  |
| WEIGHT<br>0.3g                         |                                 |                                  |
| CUSTOMER DRAWING                       |                                 |                                  |

|   |                             |
|---|-----------------------------|
| PRE-TIN (すずめっき済)  | 1123653-1                   |
| FINISH (仕上)   | PART NUMBER (型番)            |
| <b>AMP</b> 日本エー・エム・ピー株式会社<br>Kawasaki, Japan                |                             |
| NAME<br>名称<br>.040 III UNSEALED CONTACT,<br>RECEPTACLE (MS) |                             |
| SIZE<br>A3  | CAGE CODE<br>00779          |
| DRAWING NO<br>番号<br>C-1123653                               |                             |
| SCALE<br>尺度<br>5-1  | SHEET<br>1 OF 1<br>REV<br>B |