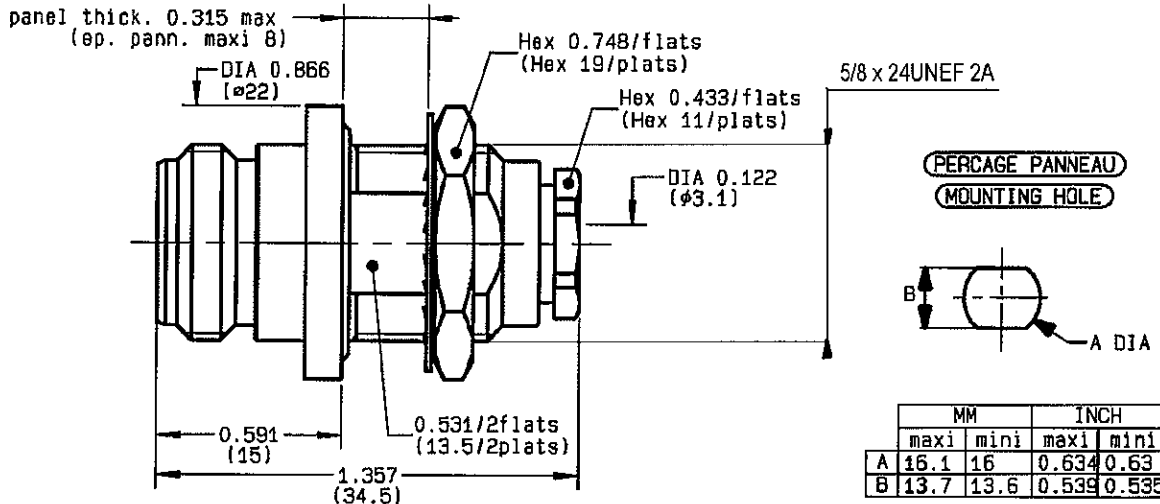


STRAIGHT BULKHEAD JACK PANEL SEAL
CLAMP TYPE - CABLE 2.6/50+75 **R161.321.000**
SERIES N



NOMINAL IMPEDANCE	50 Ω
FREQUENCY RANGE	0-11 GHz
TEMPERATURE RATING	-55/+155 °C
V.S.W.R	1.40 + x F(GHz)Maxi
RF INSERTION LOSS	0.048 \sqrt{F} (GHz) dB Maxi
VOLTAGE RATING	250 Veff Maxi
DIELECTRIC WITHSTANDING VOLTAGE	750 Veff Mini
INSULATION RESISTANCE	5000 M Ω Mini
HERMETIC SEAL	NA Atm.cm ³ /s
LEAKAGE (pressurized only)	IP 67
MECHANICAL DURABILITY	500 Cycles
WEIGHT	43 gr
SPECIFICATION	

- CABLES : **K02252D**
K02252D SPL
KX 22A
RD 316
RS 179
RS 187
RS 188
RS 316

OTHERS CHARACTERISTICS

CABLE RETENTION	40 N Mini
CENTER CONTACT RETENTION	
Axial force - mating end	27 N Mini
Axial force - opposite end	27 N Mini
Torque	NA cm.N Mini
RECOMMENDED TORQUES	
Mating	NA cm.N
Panel nut	500 cm.N
Clamp nut	150 cm.N

CONNECTOR PARTS	MATERIALS	FINISH	(all values are given in micrometers)
BODY	BRASS	BBR 2	
OUTER CONTACT	BRASS	BBR 2	
CENTER CONTACT	BERYLLIUM COPPER	GOLD 0.5 OVER NICKEL 2	
INSULATOR	PTFE	-	
GASKET	SILICONE RUBBER	-	
OTHERS PIECES	BRASS	BBR 2	

BONDINI

ISSUE 0633 B	CREATION DATE 12/10/1992	FILE PART-NUMBER
------------------------	------------------------------------	------------------



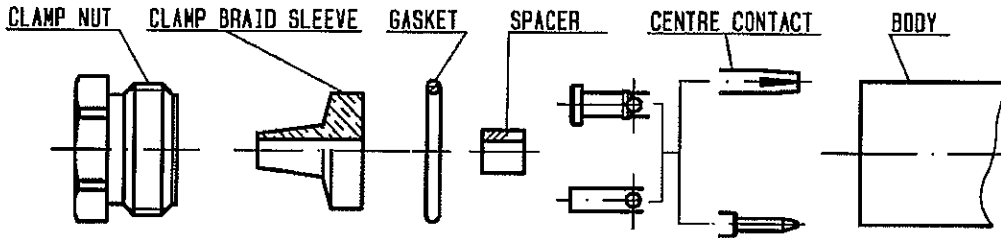
The information given here is subject to change without notice. Design changes may be in order to improve the product.

Connect to the future



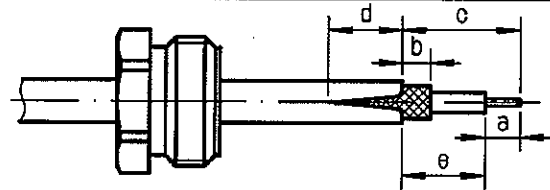
R161.321.000

ISSUE 0633 B SERIES N



①

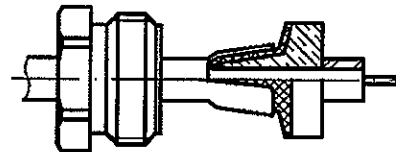
Slide clamp nut onto cable .
Strip the cable .
Cut the jacket (2 slots)
apart if necessary .
-



Stripping	a	b	c	d	e
inch	0.157	0.079	0.315	0.079	0.157
mm	4	2	8	2	4

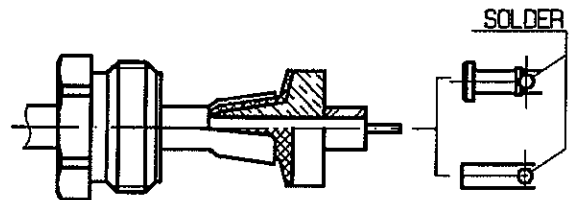
②

Slide the clamp braid sleeve between
cable dielectric and braid .
Cut the braid flush with the clamp
braid sleeve .
Slide the spacer .
-
-
-



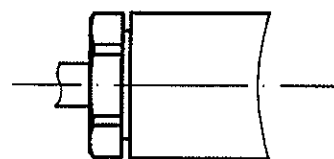
③

Solder the cable inner conductor into
centre contact .
Slide the back nut over the clamp
assembly .
-
-
-



④

Mount the gasket into the connector .
Screw sub-assembly into the connector
body .
(recommended coupling torque 13.27 in.lb)
-



Hex. : 0.433/flats

BONOMINI