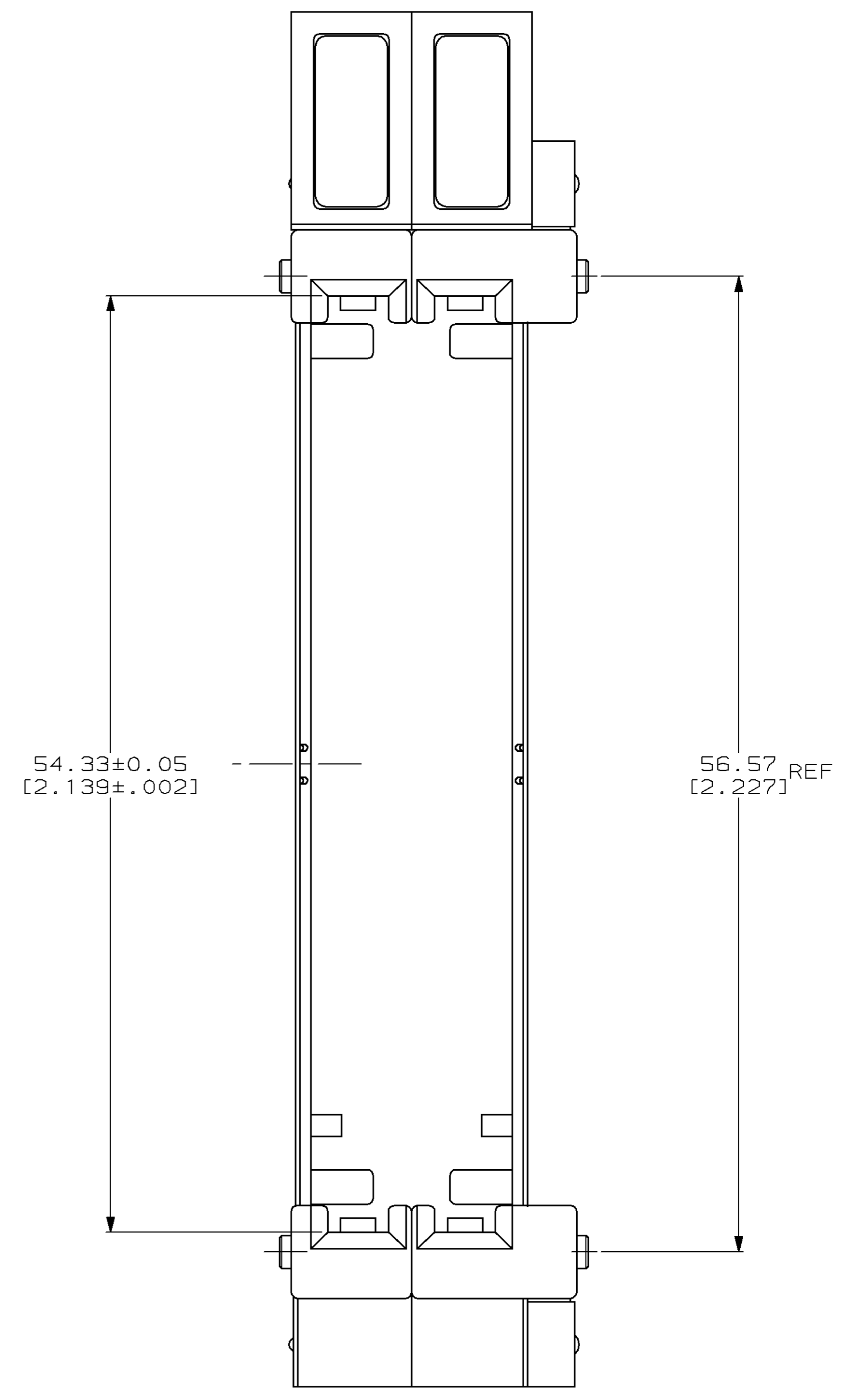
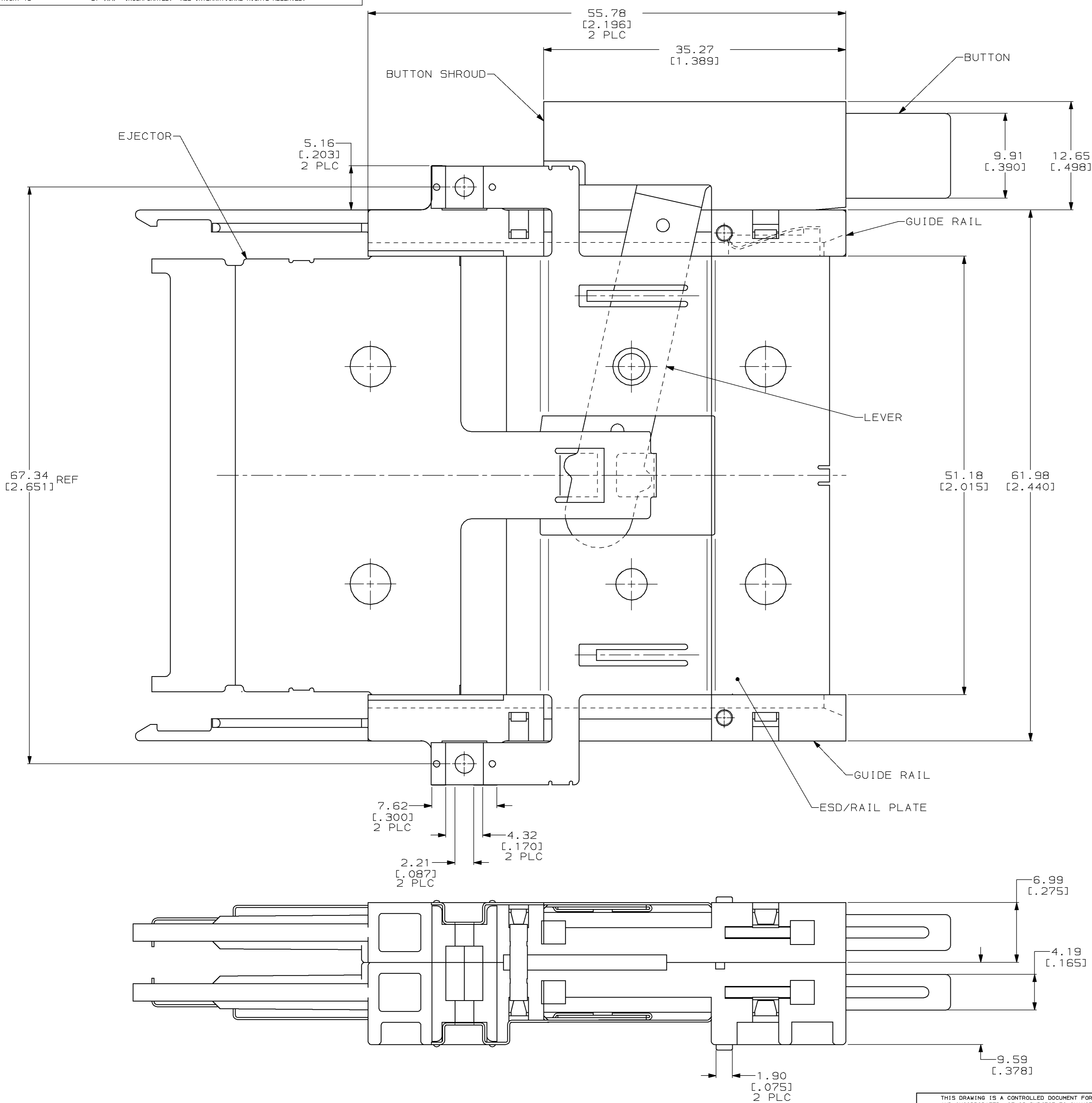


LOC		DIST		P		F		ZONE		LTR		REVISIONS			
AD	39											DESCRIPTION	DATE	APPD	
												A	REV PER EC 0010-1581-95	11/18/96	VR
												B	REV PER 0410-0015-96	12/26/96	VR

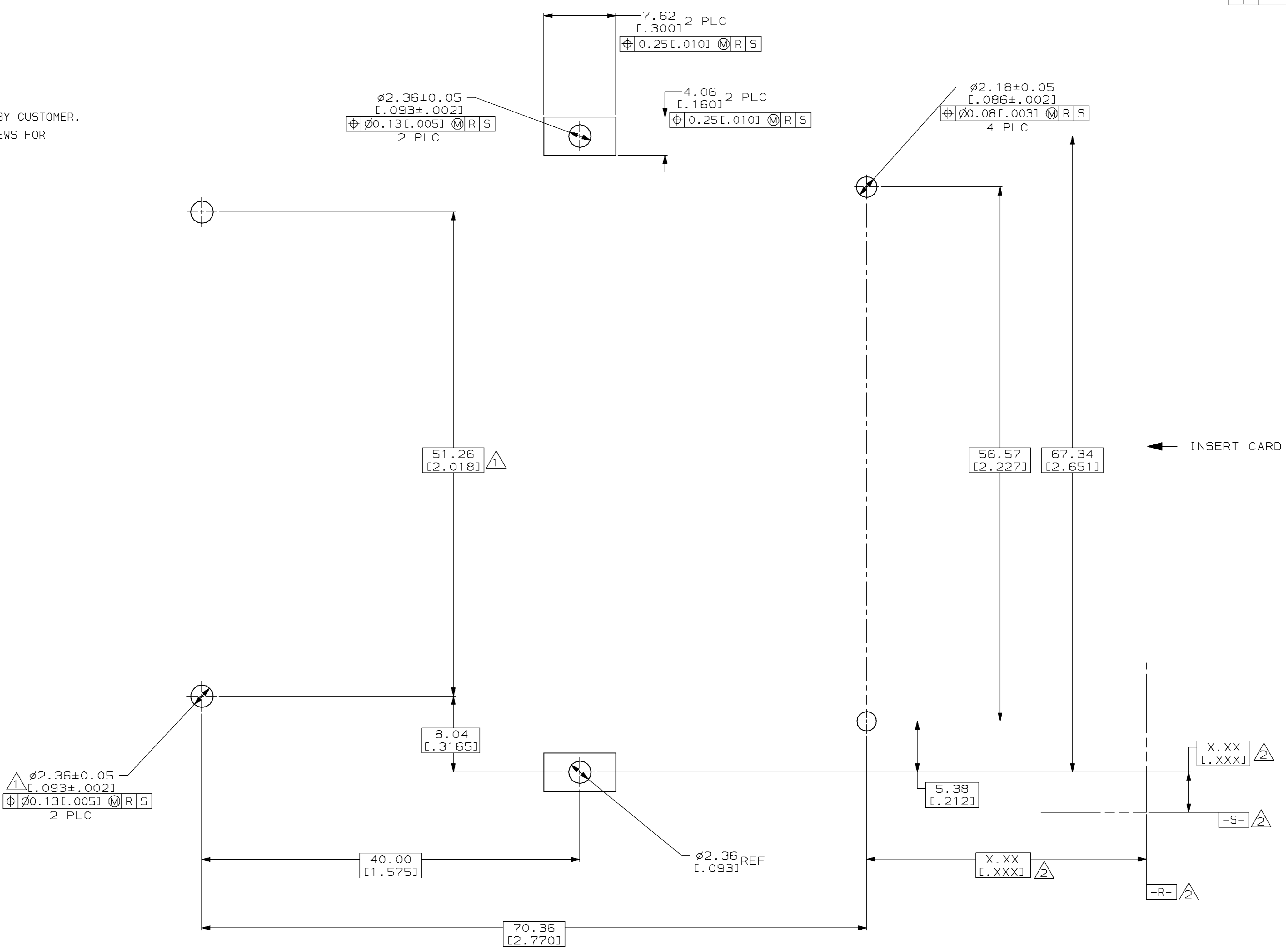


DO NOT SCALE PRINT. UNLESS SPECIFIED DIMENSIONS IN mm [INCHES] TOLERANCES ON:		DR 11/29/93 J MOSER	146049-1 PART NO	
2 PLC DEC ± 0.13 [0.005]		CHK 11/29/93 B ELICKER	AMP AMP Incorporated Harrisburg, PA 17105-3608	
3 PLC DEC ± -		APPD 11/29/93 B ELICKER	NAME	
ANGLES ± -		APPD 11/29/93 B ELICKER	STACKED EJECTOR ASSEMBLY, RIGHT SIDE BUTTONS, RAISED & STANDARD HEIGHT, AMP MEMORY CARD	
MATERIAL	GUIDES, SHROUDS & BUTTON: LCP, COLOR; BLACK	PRODUCT SPEC	SIZE	CAGE CODE
EJECTOR, RAIL PLATE & LEVER: STAINLESS STEEL	FINISH	APPLICATION SPEC	D	00779
			SCALE	DRAWING NO
			4:1	C-146049
		WEIGHT 34.2 GRAMS		SHEET 1 OF 2

THIS DRAWING IS A CONTROLLED DOCUMENT FOR AMP INCORPORATED. IT IS SUBJECT TO CHANGE AND THE CONTROLLING ENGINEERING ORGANIZATION SHOULD BE CONTACTED FOR THE LATEST REVISION.

LOC		DIST		P		ZONE		LTR		REVISIONS			
AD	39									DESCRIPTION	DATE	APPD	
										B	SEE SHEET ONE	-	-

1. HEADER MOUNTING HOLE LOCATIONS
2. DATUMS & BASIC DIMENSIONS ESTABLISHED BY CUSTOMER.
3. ASSEMBLY REQUIRES USE OF 2-SIZE 2M SCREWS FOR FASTENING TO PRINTED CIRCUIT BOARD.



RECOMMENDED BOARD LAYOUT

DO NOT SCALE PRINT.  
 UNLESS SPECIFIED  
 DIMENSIONS IN mm [INCHES]  
 TOLERANCES ON:  
 2 PLC DEC ± 0.13 [.005]  
 3 PLC DEC ± -  
 ANGLES ± -  
 MATERIAL -  
 FINISH -  
 WEIGHT -

DR	11/29/93 J MOSER
CHK	11/29/93 B ELICKER
APPD	11/29/93 B ELICKER
APPD	11/29/93 B ELICKER
PRODUCT SPEC	-
APPLICATION SPEC	-

PART NO		
<b>AMP</b> AMP Incorporated Harrisburg, PA 17105-3608		
NAME		
STACKED EJECTOR ASSEMBLY, RIGHT SIDE BUTTONS, RAISED & STANDARD HEIGHT, AMP MEMORY CARD		
SIZE	CAGE CODE	DRAWING NO
D	00779	C-146049
SCALE	4:1	SHEET
		20F2

THIS DRAWING IS A CONTROLLED DOCUMENT FOR AMP INCORPORATED. IT IS SUBJECT TO CHANGE AND THE CONTROLLING ENGINEERING ORGANIZATION SHOULD BE CONTACTED FOR THE LATEST REVISION.