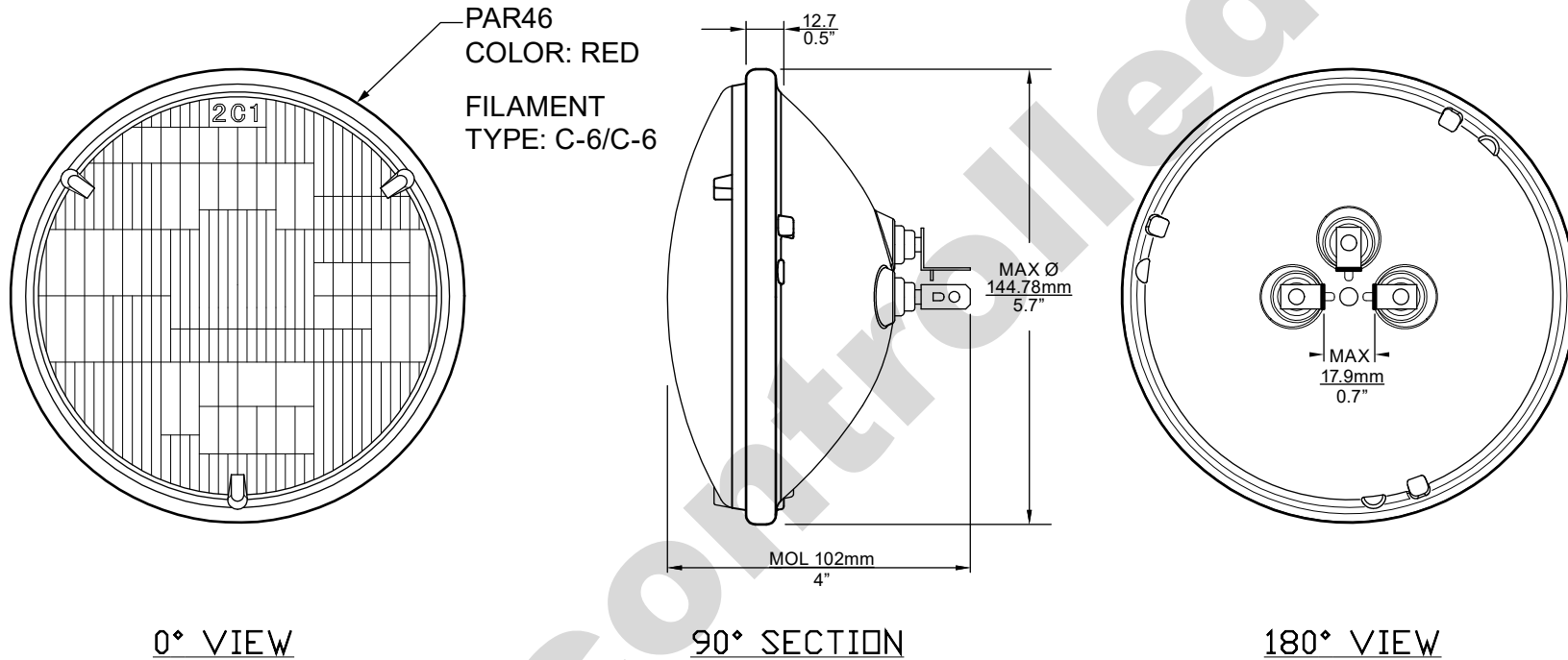




Since 1959

PART NO.	BASE TYPE	DESIGN VOLTS	MAXIMUM WATTS	AVERAGE LIFE HOURS (AT 14V)	REVISIONS			
					REV #	DESCRIPTION	DATE	APPROVED
4000R	3 LUGS CONTACT TYPE	12.8V 12.8V	37.5W 60W	200 300	1	ISSUED	02/24/2021	RM

4000R 12.8V 37.5W/60W RED



Note: Made according to SAE specifications



UNLESS OTHERWISE SPECIFIED: DIMENSIONS ARE IN INCHES TOLERANCES		CEC INDUSTRIES LTD			
DECIMALS	ANGULAR	599 BOND STREET		LINCOLNSHIRE, IL 60069	
.XX ± .05	± 0.5°				
.XXX ± .010					
FRACTIONAL	± 1/64				
DRAWN ROSE MEDINA	DATE 02/24/2021	TITLE SEAL BEAM 4000R			
CHECKED		SIZE A	FSCM NO.	DWG NO. 4000R	REV 1
DESIGN		SCALE	PLOT SCALE	SHEET 1 OF 1	
MATERIAL		FILE 4000R.pdf	DRAWING NOT TO SCALE		