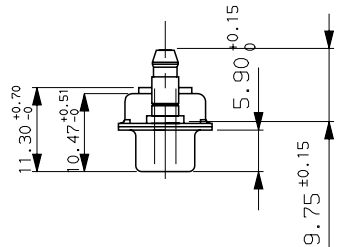
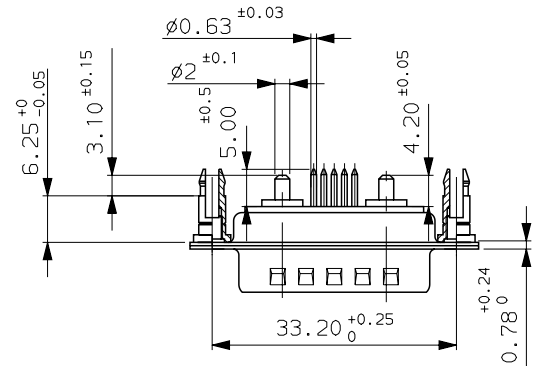
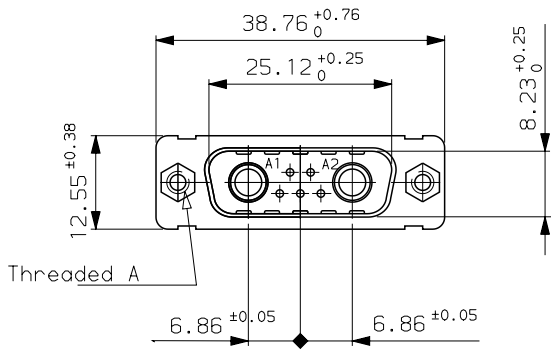
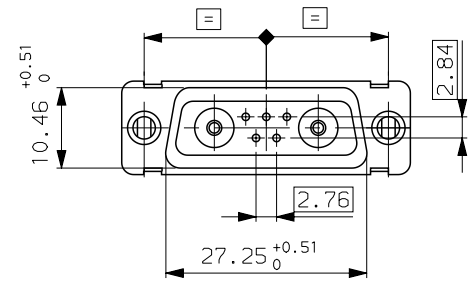


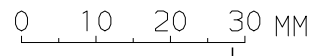
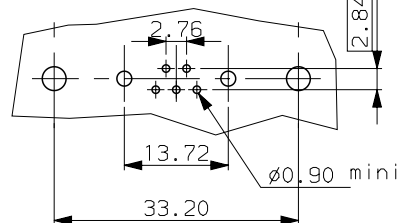
GENERAL CHARACTERISTICS : SEE DRAWING C01-8639-0000



DA07W2P300G30	UNC 4.40
DAL7W2P300G30	M3
PART NUMBER	Threaded A



LAYOUT DIMENSIONS (after plating)
CONNECTOR SIDE VIEW



e 15/10/03	update		--
ISS	DATE	Lastest modification by : BART.S	MOD N°
Designed by: JARRY date 30/08/94		Type of drawing: CLIENT	
Checked by : FONTENEAU date: --		Released by: --	
TITLE : PIN CONNECTOR WITH TWO POWERS CONTACTS			
SCALE	Special mfg:--	MATERIAL:--	N°: --
1.5	item list n°: --	--	
	General Linear Tolerances: --	General machining surface texture: -- <input checked="" type="checkbox"/>	Geometrical Tolerances see NF E 04-552
			SHEET 01
	FRAMATOME CONNECTORS FRANCE Rue Louis Breguet - BP 05 72024 LE MANS Cedex Tel. 33 (16) 43.84.08.43		This document is the property of FRAMATOME CONNECTORS FRANCE It must not be reproduced or communicated without permission in writing Flow the owners
	FORMAT A3	SOURIAU DRG N° C01-8639-0430	PROJECT M94D001