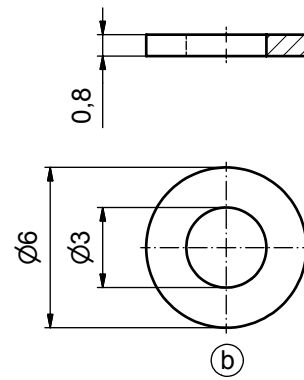
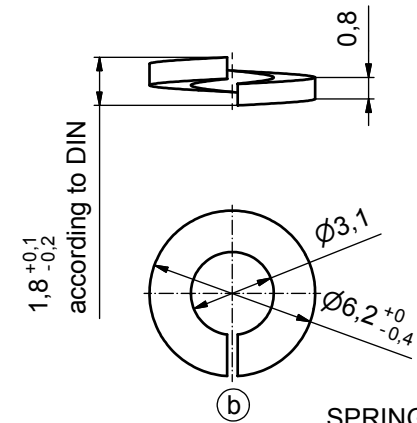


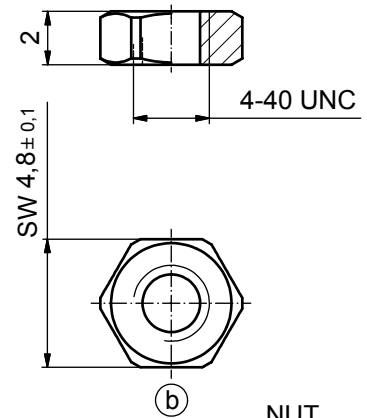
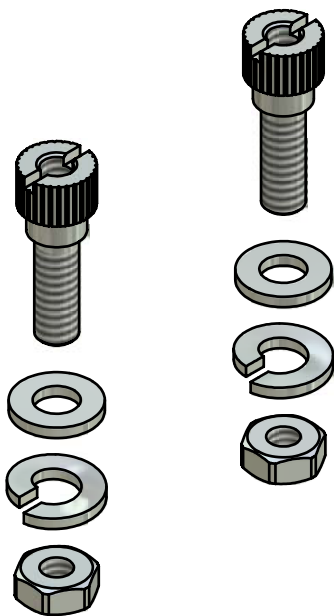
SCREW LOCKING  
Cu Zn, Nickel plated



WASHER  
Steel, Nickel plated



SPRING RING  
Steel, Nickel plated



NUT  
Steel, Nickel plated

**1 SET CONSISTS OF:**

- 2 SCREWS
- 2 WASHERS
- 2 SPRING RINGS
- 2 NUTS



APPROVAL # FREIGABE # DEBLOCAGE # AUTORIZACION # APPROVAL	
CUSTOMER APPROVAL DATE:	
NAME:	TITLE:
COMPANY NAME:	
APPROVAL # FREIGABE # DEBLOCAGE # AUTORIZACION # APPROVAL	

THIS DRAWING MAY NOT BE COPIED OR REPRODUCED IN ANY WAY, AND MAY NOT BE PASSED ON TO A THIRD PARTY WITHOUT WRITTEN PERMISSION. OWNERSHIP AND COPYRIGHT OF CONEC GmbH			
DO NOT ALTER CAD DRAWING BY HAND			
4 x b	A 3351	28.04.09	Lehm.
a	Origin		
rev.	description	date	name

tolerance	
dim. in mm	
drawn	02.02.06 Lehmenkühler
appd.	02.02.06 Mickenbecker
norm	
d-old	

scale:	5:1	
material:	SEE DRAWING	
title:	SCREW LOCKING Bolt set packed	
dwg no:	Inventor 10	DIN-A3
	16K1A1723	sh: 1
part no:	160X10329X	

