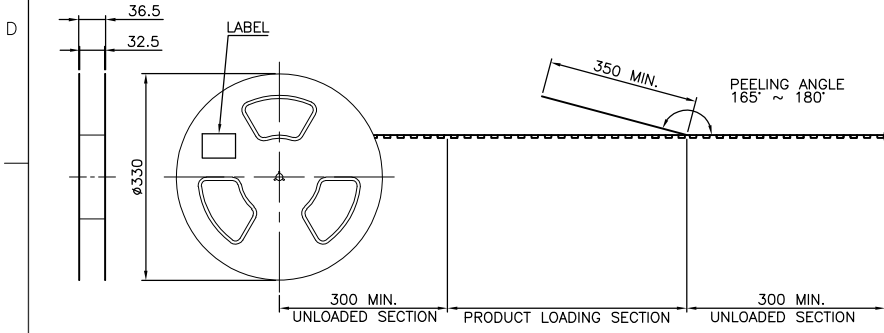
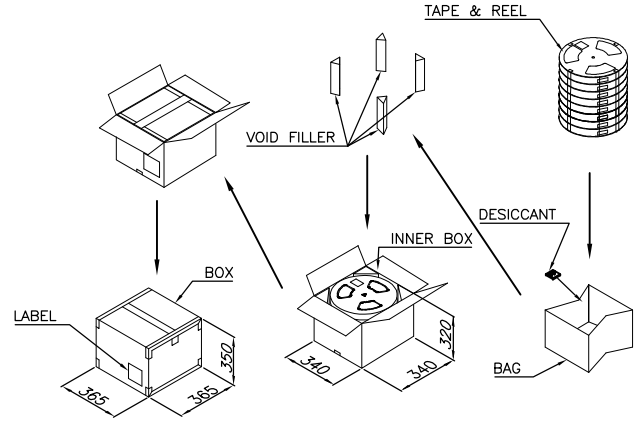
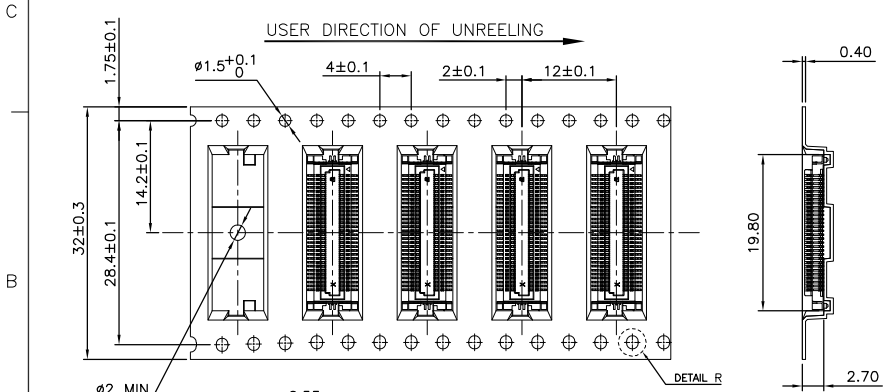


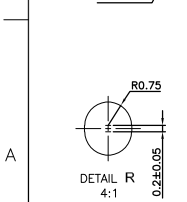
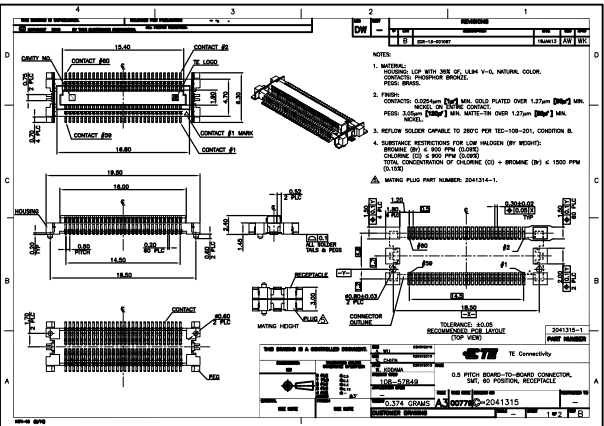
LOC	DIST	REVISIONS			
P	LTR	DESCRIPTION	DATE	DWN	APVD
SEE SHEET 1.					



- NOTES:
- MATERIAL:
 BOX: FIBREBOARD, CORRUGATED, DOUBLE WALL.
 COVER TAPE: PET, TRANSPARENT COLOR.
 CARRIER TAPE: POLYSTYRENES, TRANSPARENT COLOR.
 REEL: HIPS, BLUE COLOR.
 BAG: POLYETHYLENES, TRANSPARENT COLOR.
 - EACH BAG SHALL BE INCLUDED DESICCANT.
 - PEELING STRENGTH: 0.1 ~ 1.3 N (10 ~ 130 GRAMS).
 - PEELING SPEED: 300 mm/min.



1500	8	12000 PCS	9.09 KG	4.49 KG
PCS/TAPE	REELS/BOX	QUANTITY	GROSS WEIGHT	NET WEIGHT



THIS DRAWING IS A CONTROLLED DOCUMENT.

DIMENSIONS:	TOLERANCES UNLESS OTHERWISE SPECIFIED:	DWN	A WU	02NOV2010
MM	0 PLC ±	CHK	S CHIEN	02NOV2010
	1 PLC ±	APVD	W. KODAMA	02NOV2010
	2 PLC ±	PRODUCT SPEC		
	3 PLC ±	APPLICATION SPEC		
	4 PLC ±	SIZE	A3	00779
	ANGLES ±	DRAWING NO	C-2041315	
MATERIAL	FINISH	RESTRICTED TO		
		CUSTOMER DRAWING	SCALE	SHEET 2 of 2
				REV B

TE TE Connectivity

0.5 PITCH BOARD-TO-BOARD CONNECTOR, SMT, 60 POSITION, RECEPTACLE

0.374 GRAMS A3 00779 C-2041315