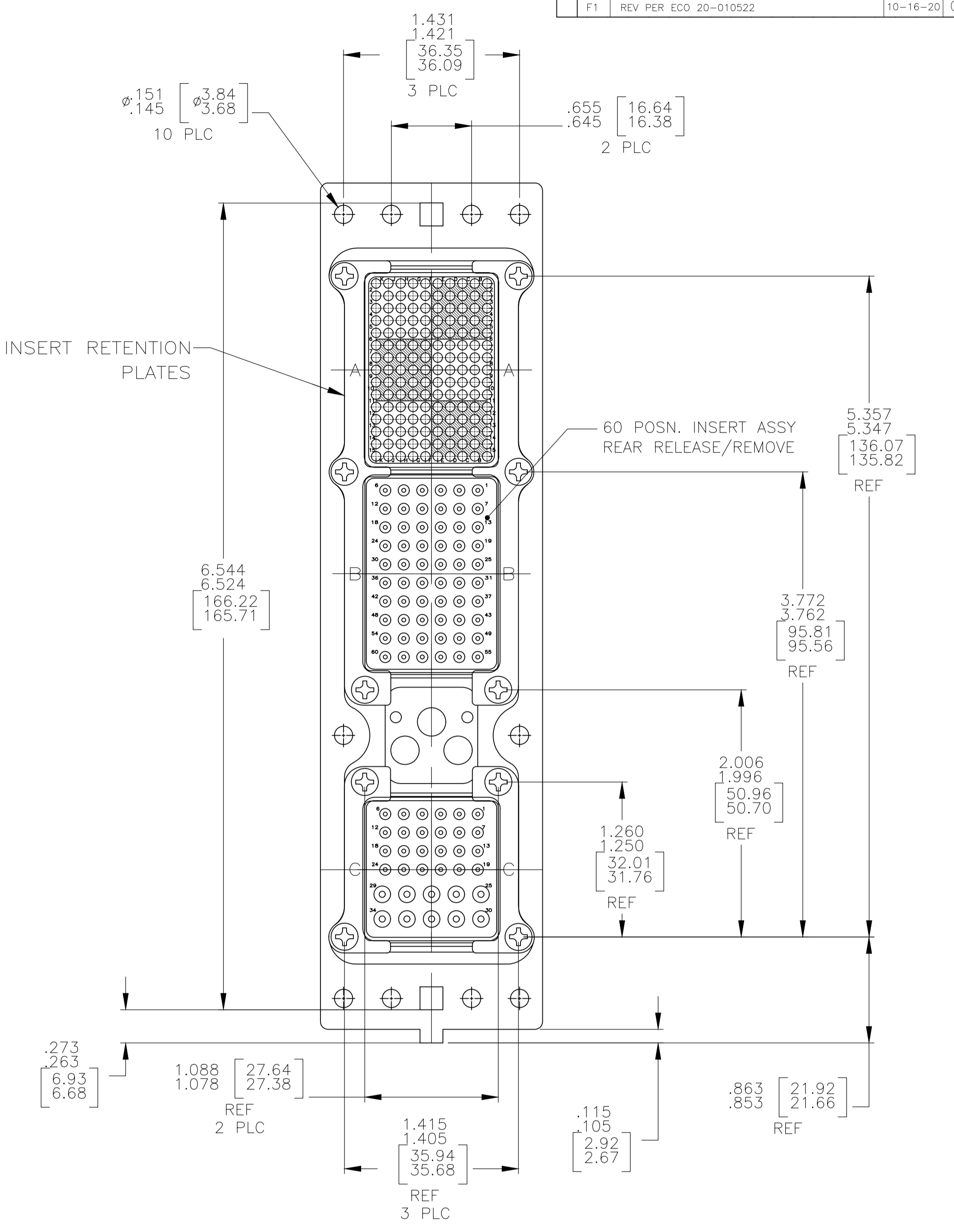
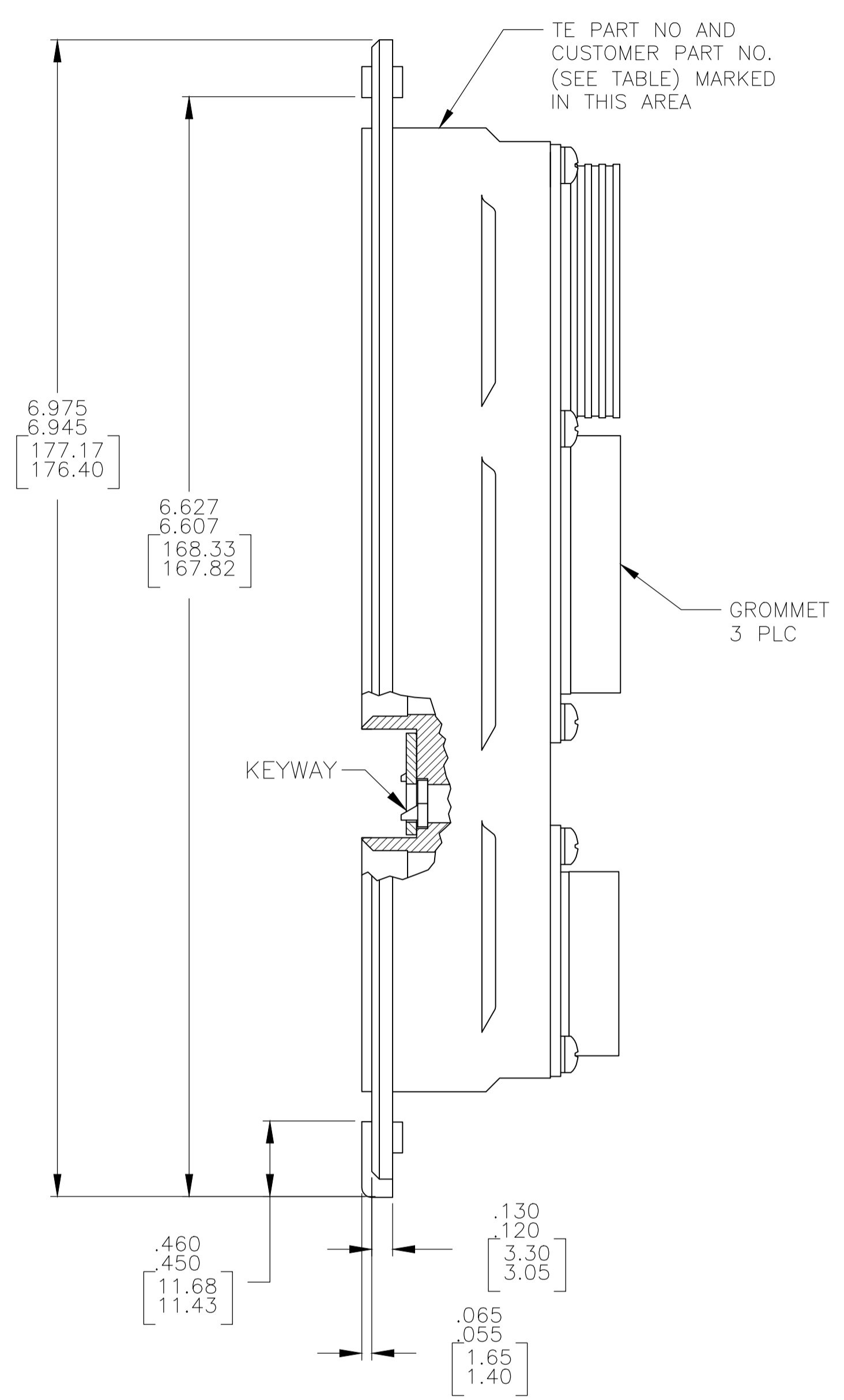
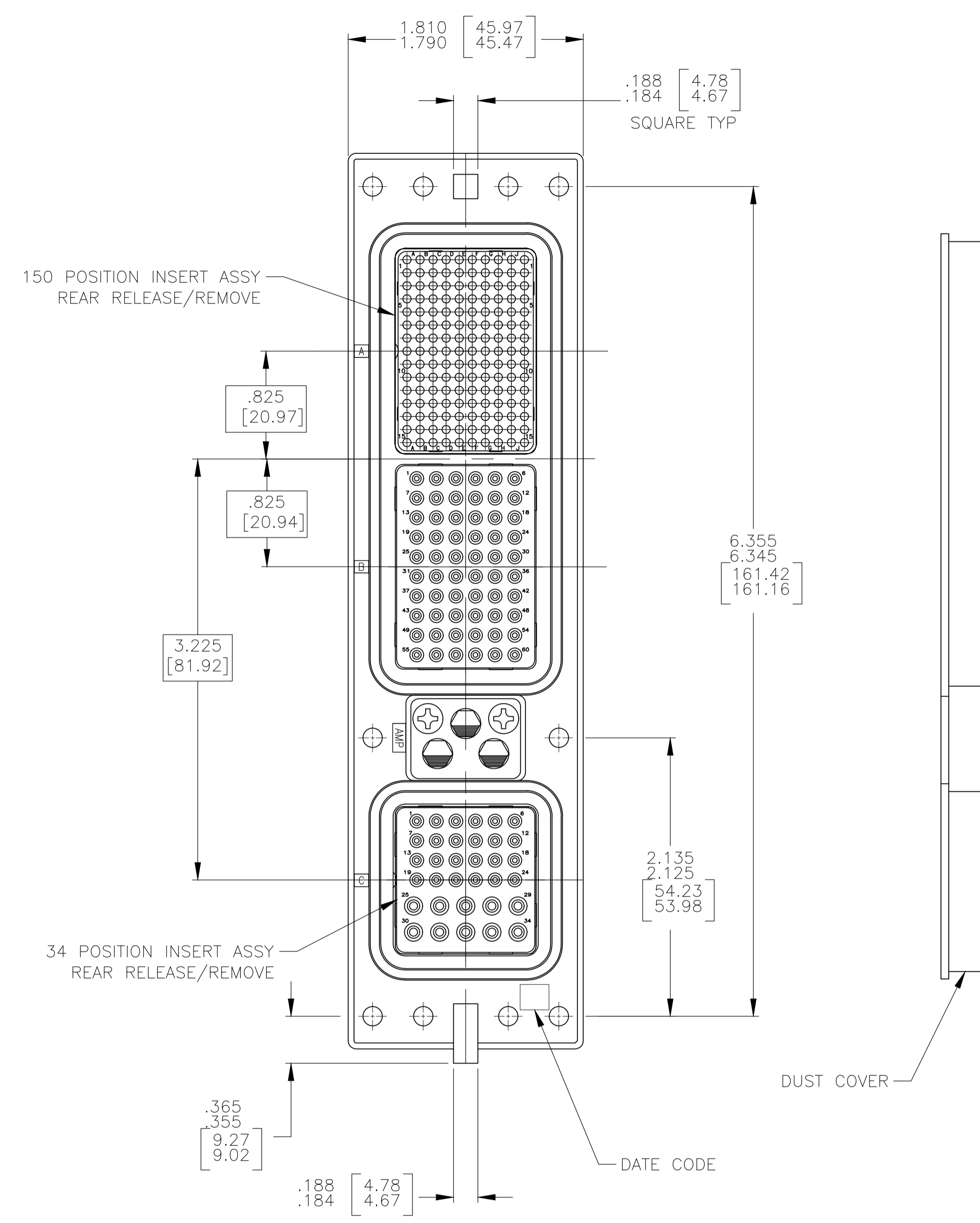


REVISIONS					
P	LTR	DESCRIPTION	DATE	OWN	APVD
F1	REV PER ECO	20-010522	10-16-20	CT	RL



- CONNECTOR DIMENSIONS ARE PER ARINC 600 SPECIFICATION
- DUST COVER INSTALLED FOR SHIPPING.
- KEYING SHOWN IN POSITION "01" FOR REFERENCE ONLY. SEE TABLE FOR KEYING POSITION. FOR POSITION "00" KEYING SHIPPED UNASSEMBLED.
- CONTACTS PACKAGED SEPARATELY AND SHIPPED WITH CONNECTOR.

COMPONENT	MATERIAL	FINISH
SHELL	DIE CAST ALUMINUM PER ASTM-B-85	ELECTROLESS NICKEL PER MIL-C-26074
INSERT RETENTION PLATES	ALUMINUM ALLOY PER ASTM-B-209	ELECTROLESS NICKEL PER MIL-C-26074
SCREWS AND LOCKWASHERS	STEEL OR STAINLESS STEEL	CHROMATE OVER ZINC OR PASSIVATED
POLARIZING KEYS	ZINC ALLOY PER ASTM-B-86	-
POLARIZING KEY RETAINING PLATE	ALUMINUM ALLOY PER ASTM-B-209	BLUE ANODIZED PER MIL-A-8625
INSERTS	THERMOSET OR THERMOPLASTIC PPS PER MIL-M-24519	-
DUST COVER	CONDUCTIVE THERMOPLASTIC	-

KEYING POSITION	CONTACTS INCLUDED AND NOT INSTALLED	PART NUMBER
"55"	MODULE A 208264-2 (SZ 22 CRIMP SOCKET CONTACT; QTY=150) MODULE B 208265-3 (SZ 20 CRIMP PIN CONTACT; QTY=60) MODULE C 208265-3 (SZ 20 CRIMP PIN CONTACT; QTY=24) 208268-3 (SZ 16 CRIMP PIN CONTACT; QTY=10)	2221458-2
"01"	MODULE A 208264-2 (SZ 22 CRIMP SOCKET CONTACT; QTY=150) MODULE B 208265-3 (SZ 20 CRIMP PIN CONTACT; QTY=60) MODULE C 208265-3 (SZ 20 CRIMP PIN CONTACT; QTY=24) 208268-3 (SZ 16 CRIMP PIN CONTACT; QTY=10)	2221458-1

BACC66C51F55AA	2221458-2
BACC66C51F01AA	2221458-1
CUSTOMER PART NO.	TE PART NO.

THIS DRAWING IS A CONTROLLED DOCUMENT.

DIN: C.C.THOMAS 9-26-12  
 CHK: W.BERNHART 9-26-12  
 APVD: W.BERNHART 9-26-12

TE Connectivity

RCPT ASSY, SIZE 2, ARINC 600 (150/60/34), RR WITH GROMMETS

SIZE: A1  
 CAGE CODE: 00779  
 DRAWING NO: 2221458  
 WEIGHT: 0.000000  
 RESTRICTED TO: -

CUSTOMER DRAWING SCALE: 3:2 SHEET 1 OF 1 REV: F1