

Type LPR-05

Water-Proof In-Line Fuse Holder

Automotive Blade Type



www.optifuse.com (619) 593-5050

Specifications:

Rating: 58VDC

IP Rating: IP67

Body Material: PVC

For use w/ Type APR, ANR Fuse (Regular-Automotive Blade)

Water-proof with Inter-Locking Cap

Attached Mounting Bracket

Standard Wire: #12AWG – 5” - Orange Color

(Other wire sizes and colors available as special order)

Wire Gauge	Max. Amperage
#12	30A
#16	15A

Part number format

LPR-05B-##Z

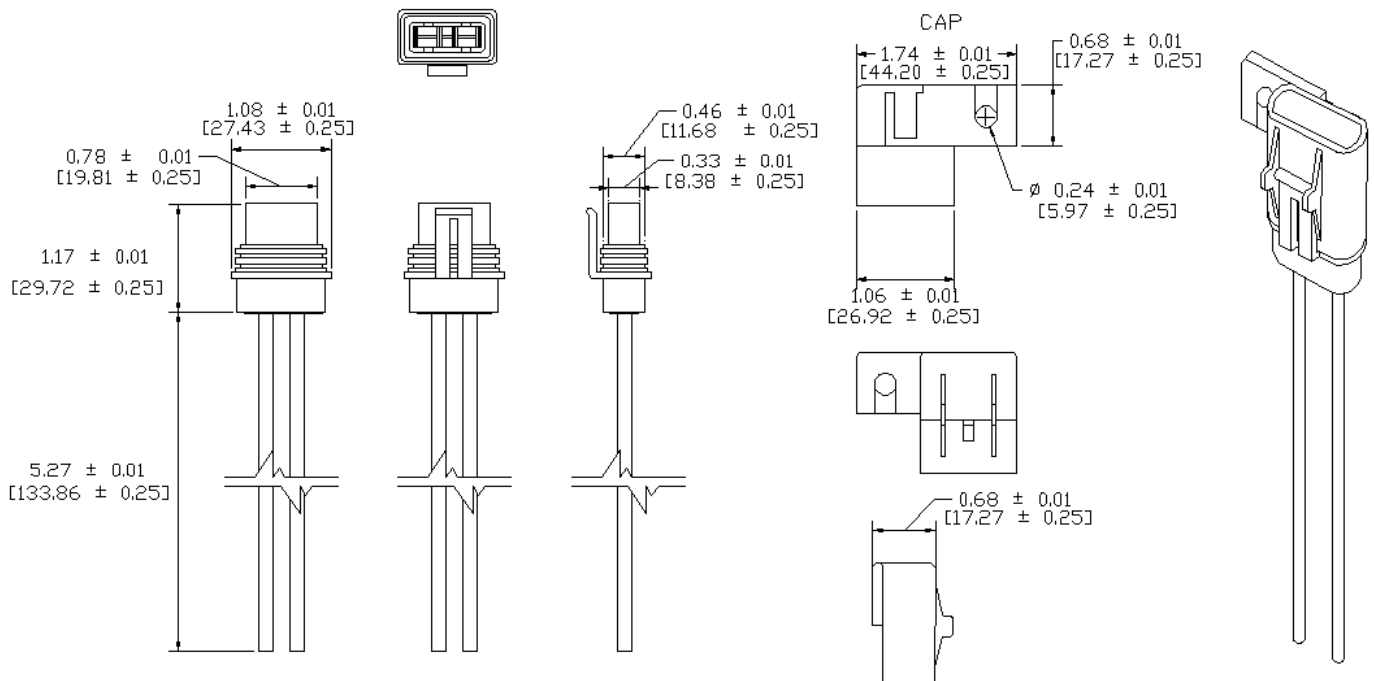
Where

= Wire Gauge (12,16 AWG)

Z = Wire Color

Orange or Red

Mechanical Dimensions: Inches [mm]



	Warning:
	-Operation beyond the specified maximum ratings or improper use may result in damage and possible electrical arcing and/or flame.
	-Device are intended for occasional overcurrent protection. Application for repeated overcurrent condition and/or prolonged trip are not anticipated.
	-Avoid contact of device with chemical solvent. Prolonged contact will damage the device performance.
	- Not intended for submersible water applications.