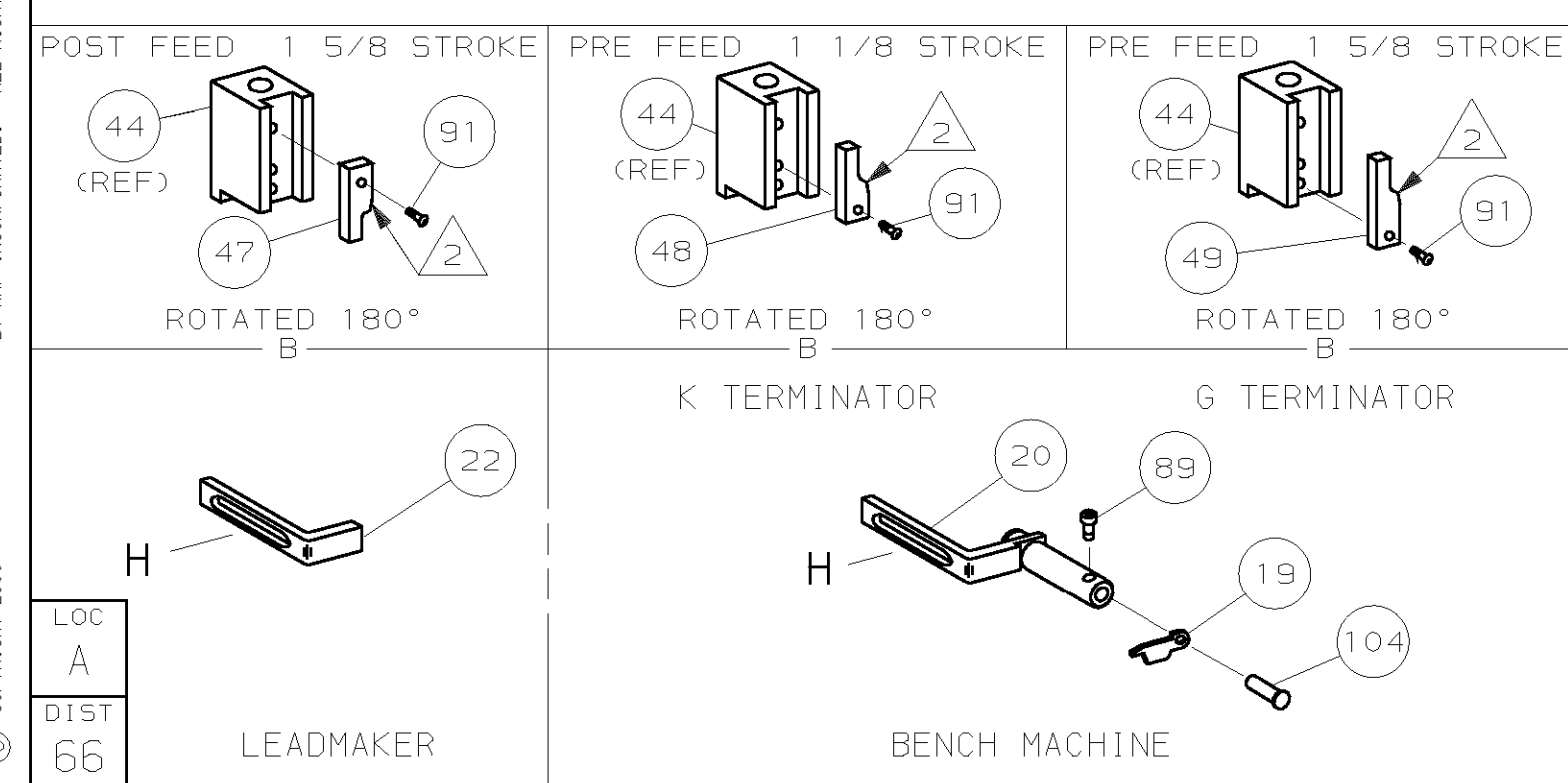
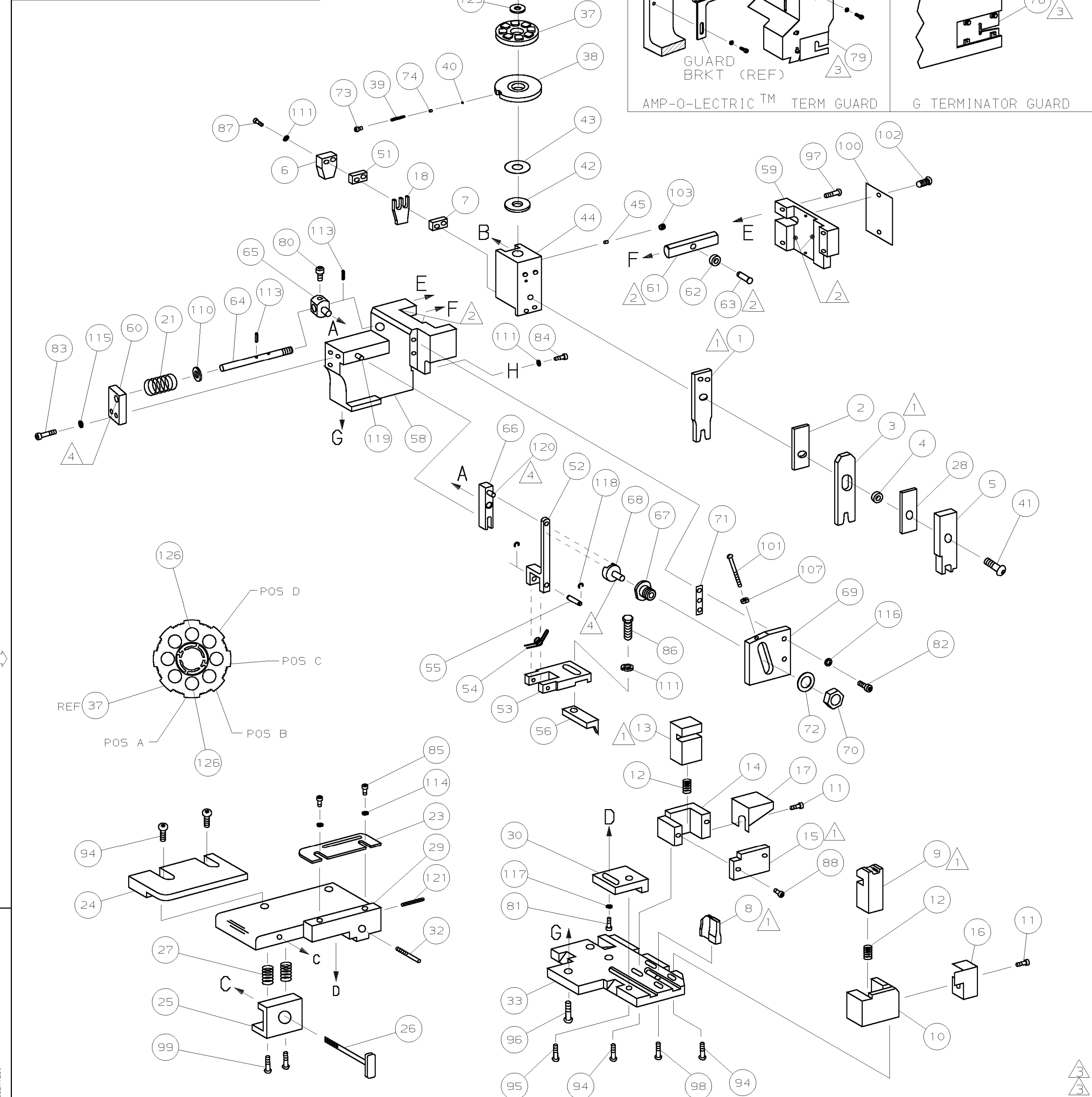


PART NUMBER	REV	FIRST USED
1385207-1	A	122500-1
1385207-2	A	565435-5
1385207-3	A	354500-1



- 1 RECOMMENDED SPARE PARTS.
- 2 GREASE LIGHTLY.
- 3 GUARD MUST BE IN PLACE WHEN OPERATING APPLICATOR IN A BENCH MACHINE.
- 4 LUBRICATE DAILY USING NO. 20 MACHINE OIL.
- 5. ITEMS WITH QTY OF REF SPECIFIED (EXCEPT ITEMS 78 AND 79) ARE USED ON ITEM 46.

TERMINAL NAME: TERMINAL			
AMP PN	MFR PN	MED-SOURCE TERMINAL	AMP CRIMP SPECS
286905	E08T		
		PAD LTR	CRIMP HEIGHT
		A	.036 ±.002 [0.91 ±0.05mm]
		B	NOT USED
		C	NOT USED
		D	NOT USED
		CRIMP SIZE	TYPE RANGE
		WIRE	.070 [1.78mm] F 24
		INSUL	.080 [2.03mm] F .041 MAX
WIRE STRIP LENGTH	TERM APPL SPEC	FEED	APPL INSTRUCTION
.169-.185	NONE	.340	408-8040
			SET UP GAGE LAYOUT
			458637-1 L2466

QTY	REF	REF	REF	U/M	DWG SIZE	PART NO	DESCRIPTION	ITEM NO
								129
								128
								127
2	2	2	-	C		5-354779-8	PIN, WIRE DISC (.3280)A	126
1	1	1	-	A		986950-1	WASHER, FLAT PRECISION	125
1	1	1	-	A		217238-1	GENERAL INSTRUCTION PACKAGE	124
1	1	1	-	-		4088040	SF APPL INST 408-8040	123
								122
1	1	1	-	A		4-21028-0	PIN,SLT SPR(φ.093x.75)ST GDE PL	121
REF	REF	REF	-	A		1-21030-1	PIN,DOWEL(φ.187x.50)LEVER	120
REF	REF	REF	-	A		1-21030-6	PIN,DOWEL(φ.187x1.25)HOUSING	119
REF	REF	REF	-	A		21045-3	RING,RET "C"(φ.187)FD FING PIN	118
1	1	1	-	A		21024-5	WASHER, LOCK(#10)ADJ BLOCK	117
REF	REF	REF	-	A		21024-5	WASHER,LOCK(#10)ADJ PLATE	116
REF	REF	REF	-	A		21024-5	WASHER,LOCK(#10)FEED GDE ROD	115
2	2	2	-	A		21024-2	WASHER,LOCK(#4)FRONT STP GUIDE	114
REF	REF	REF	-	A		5-21028-1	PIN,SLT SPR(φ.125x.50)ADJ ROD	113
								112
4	4	4	-	A		21024-4	WASHER,LOCK(#8)STRIPPER	111
REF	REF	REF	-	A		21899-4	WASHER,FLAT(φ5/16)SCREW ADJ	110
								109
REF	REF	REF	-	A		21068-5	NUT,HEX(6-32)FEED ADJ	107
								106
								105
1	1	-	-	A		992031-1	PIN, CLEVIS	104
1	1	1	-	A		21009-2	SCR,5KT SET(1/4-20x.25 LW)RAM	103
2	2	2	-	A		21017-2	SCR,DRIVE(#2x.19)ID PLATE	102
REF	REF	REF	-	A		6-23715-5	SCR,PAN HD(6-32x1.50)FEED ADJ	101
1	1	1	-	B		461264-1	PLATE, IDENTIFICATION	100
2	2	2	-	A		3-21002-0	SCR,BHC(10-32x.88)DRAG	99
1	1	1	-	A		22733-8	SCR,BHC(8-32x.38 LW)ANVIL	98
REF	REF	REF	-	A		2-21002-9	SCR,BHC(10-32x.75)CAP	97
REF	REF	REF	-	A		2-22733-8	SCR,BHC(1/4-20x.62)HOUSING	96
REF	REF	REF	-	A		2-21002-7	SCR,BHC(10-32x.50)5G ADJ BLOCK	95
6	6	6	-	A		2-21002-2	SCR,BHC(8-32x.50)TERM H DWN	94
								93
								92
1	1	1	-	A		1-21002-7	SCR,BHC(6-32x.38)CAM	91
								90
1	1	-	-	A		7-21000-9	SCR,5HC(4-40x.19)STRIPPER	89
2	2	2	-	A		1-21000-8	SCR,5HC(6-32x.25)R SHEAR PLATE	88
2	2	2	-	A		3-21000-1	SCR,5HC(8-32x1.00)DEP-HOLD	87
1	1	1	-	A		2-22603-0	SCR,HEX HD(8-32x.31)FEED FINGER	86
2	2	2	-	A		1-21000-3	SCR,5HC(4-40x.25)F ST GUIDE	85
1	1	1	-	A		2-21000-7	SCR,5HC(8-32x.50)STRIPPER	84
REF	REF	REF	-	A		3-21000-7	SCR,5HC(10-32x.75)FEED ROD 6D	83
REF	REF	REF	-	A		3-21000-6	SCR,5HC(10-32x.62)FD ADJ BLK	82
1	1	1	-	A		3-21000-4	SCR,5HC(10-32x.38)5G ADJ BL	81
REF	REF	REF	-	A		3-21000-4	SCR,5HC(10-32x.38)PIVOT BLK	80
-	REF	-	-	B		455749-1	GUARD, WINDOW	79
REF	-	-	-	B		679532-1	INSERT, GUARD	78
								77
								76
								75
1	1	1	-	A		690603-1	SPRING, ASSIST	74
1	1	1	-	A		23030-1	SCR,5HC(6-32x.25 SL)INS DISC	73
REF	REF	REF	-	A		458109-1	WASHER, SPECIAL	72
REF	REF	REF	-	A		690517-1	SPACER	71
								70
								69
								68
								67
								66
								65
								64
								63
								62
								61
								60
								59
								58
								57
								56
1	1	1	-	B		690542-2	PAWL, FEED	55
REF	REF	REF	-	B		240624-1	PIN, FEED FINGER	54
REF	REF	REF	-	B		691499-1	SPRING, FEED FINGER	53
REF	REF	REF	-	B		690541-1	HOLDER, FEED FINGER	52
REF	REF	REF	-	A		455679-1	LEVER, TERMINAL FEED ARM	51
1	1	1	-	C		1-240641-6	SPACER, DEPRESSOR (REAR)	50
								49
1	-	-	-	B		690602-6	CAM, PRE-FEED 1 5/8 ST	48
-	1	-	-	B		690602-5	CAM, PRE-FEED 1 1/8 ST	47
-	-	1	-	B		690501-4	CAM, POST-FEED 1 5/8 ST	46
1	1	1	-	B		459456-1	APPLICATOR, BASIC (SUBASSY)	45
1	1	1	-	A		690191-1	PLUG, NYLON	44
1	1	1	-	C		455673-1	RAM	43
1	1	1	-	A		690125-1	WASHER, LAMINATED	42
1	1	1	-	A		690124-1	WASHER, RAM	41
1	1	1	-	A		7-21002-9	BOLT, CRIMPER(5/16x1.00)	40
1	1	1	-	A		23241-6	BALL, STEEL	39
1	1	1	-	A		690170-1	SPRING, COMPRESSION	38
1	1	1	-	C		690142-1	DISC, INSULATION	37
1	1	1	-	D		354777-1	WIRE DISC, PLASTIC	36
1	1	1	-	A		22480-5	WASHER, SPRING	35
1	1	1	-	B		690212-1	POST, RAM	34
								33
REF	REF	REF	-	D		455675-1	PLATE, BASE	32
1	1	1	-	A		690432-3	SCREW, ADJUSTMENT	31
								30
REF	REF	REF	-	B		455689-1	BLOCK, STRIP GUIDE ADJ	29
1	1	1	-	C		455671-1	PLATE, STRIP GUIDE	28
1	1	1	-	C		1-455888-0	SPACER, FRONT SHEAR DEP	27
2	2	2	-	A		1-22284-0	SPRING, DRAG	26
1	1	1	-	B		690546-1	LEVER, DRAG RELEASE	25
1	1	1	-	B		240792-1	DRAG, TERMINAL	24
1	1	1	-	D		7-690504-1	GUIDE, STRIP (REAR)	23
1	1	1	-	A		1-690438-0	GUIDE, STRIP (FRONT)	22
-	-	1	-	B		690472-2	STRIPPER	21
REF	REF	REF	-	A		4-22284-9	SPRING, FEED RETURN	20
1	1	-	-	A		679218-1	STRIPPER WIRE STOP ASSY	19
1	1	-	-	B		458949-1	STRIPPER	18
1	1	1	-	B		690518-2	HOLDER, TERMINAL	17
1	1	1	-	A		691668-1	GUARD, CHIP (REAR)	16
1	1	1	-	B		318563-1	GUARD, CHIP, FRONT	15
1	1	1	-	B		690464-1	PLATE, SHEAR (REAR)	14
1	1	1	-	B		690462-1	HOLDER, SHEAR (REAR)	13
1	1	1	-	C		690463-2	SHEAR, FLOAT (REAR)	12
2	2	2	-	A		5-22280-0	SPRING, SHEAR	11
2	2	2	-	B		690461-1	STOP, SHEAR	10
1	1	1	-	C		690459-1	HOLDER, SHEAR (FRONT)	9
1	1	1	-	C		462006-2	SHEAR, FLOAT (FRONT)	8
1	1	1	-	C		3-805887-5	ANVIL	7
1	1	1	-	C		2-240641-7	SPACER, DEPRESSOR (REAR)	6
1	1	1	-	A		690468-1	DEPRESSOR, SHEAR (REAR)	5
1	1	1	-	C		2-455889-0	DEPRESSOR, SHEAR (FRONT)	4
1	1	1	-	B		238011-4	SPACER, BLOCK CRIMPER	3
1	1	1	-	C		6-456134-8	CRIMPER, INSULATION	2
1	1	1	-	C		455888-8	SPACER, CRIMPER	1
1	1	1	-	C		3-456404-8	CRIMPER, WIRE	

QTY	REF	REF	REF	U/M	DWG SIZE	PART NO	DESCRIPTION	ITEM NO
								129
								128
								127
2	2	2	-	C		5-354779-8	PIN, WIRE DISC (.3280)A	126
1	1	1	-	A		986950-1	WASHER, FLAT PRECISION	125
1	1	1	-	A		217238-1	GENERAL INSTRUCTION PACKAGE	124
1	1	1	-	-		4088040	SF APPL INST 408-8040	123
								122
1	1	1	-	A		4-21028-0	PIN,SLT SPR(φ.093x.75)ST GDE PL	121
REF	REF	REF	-	A		1-21030-1	PIN,DOWEL(φ.187x.50)LEVER	120
REF	REF	REF	-	A		1-21030-6	PIN,DOWEL(φ.187x1.25)HOUSING	119
REF	REF	REF	-	A		21045-3	RING,RET "C"(φ.187)FD FING PIN	118
1	1	1	-	A		21024-5	WASHER, LOCK(#10)ADJ BLOCK	117
REF	REF	REF	-	A		21024-5	WASHER,LOCK(#10)ADJ PLATE	116
REF	REF	REF	-	A		21024-5	WASHER,LOCK(#10)FEED GDE ROD	115
2	2	2	-	A		21024-2	WASHER,LOCK(#4)FRONT STP GUIDE	114
REF	REF	REF	-	A		5-21028-1	PIN,SLT SPR(φ.125x.50)ADJ ROD	113
								112
4	4	4	-	A		21024-4	WASHER,LOCK(#8)STRIPPER	111
REF	REF	REF	-	A		21899-4	WASHER,FLAT(φ5/16)SCREW ADJ	110
								109
REF	REF	REF	-	A		21068-5	NUT,HEX(6-32)FEED ADJ	107
								106
								105
1	1	-	-	A		992031-1	PIN, CLEVIS	104
1	1	1	-	A		21009-2	SCR,5KT SET(1/4-20x.25 LW)RAM	103
2	2	2	-	A		21017-2	SCR,DRIVE(#2x.19)ID PLATE	102
REF	REF	REF	-	A		6-23715-5	SCR,PAN HD(6-32x1.50)FEED ADJ	101
1	1	1	-	B		461264-1	PLATE, IDENTIFICATION	100
2	2	2	-	A		3-21002-0	SCR,BHC(10-32x.88)DRAG	99
1	1	1	-	A		22733-8	SCR,BHC(8-32x.38 LW)ANVIL	98
REF	REF	REF	-	A		2-21002-9	SCR,BHC(10-32x.75)CAP	97
REF	REF	REF	-	A		2-22733-8	SCR,BHC(1/4-20x.62)HOUSING	96
REF								