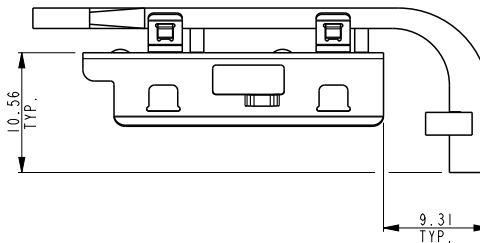
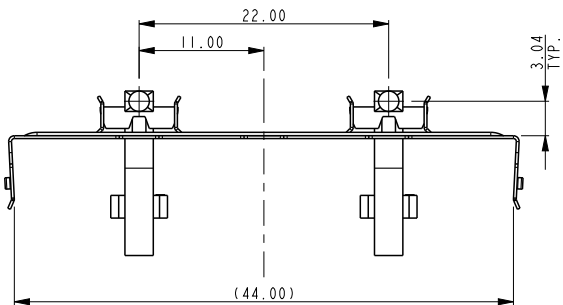
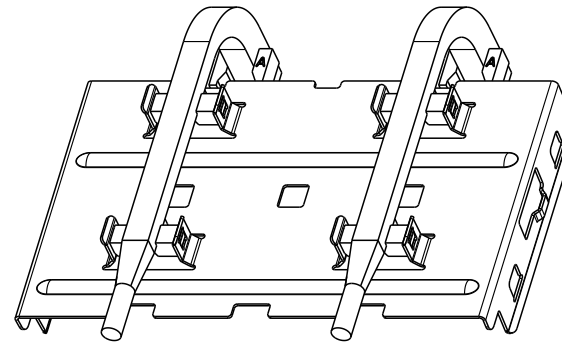
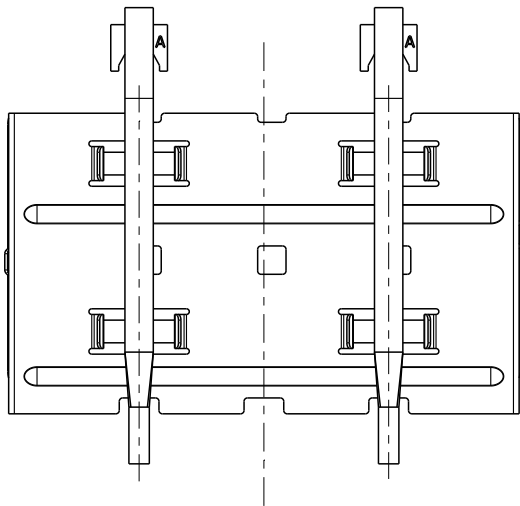


PART NUMBER

10130602-001LF



NOTES:

- MATERIALS:  
LIGHT PIPE CLIP: STAINLESS STEEL  
LIGHT PIPE: POLYCARBONATE
- PRODUCT SPECIFICATION: GS-12-651
- PRODUCT PACKING SPECIFICATION: GS-14-1490
- APPLICATION SPECIFICATION: GS-20-0327
- THIS CONNECTOR IS DESIGNED TO MEET THE REQUIREMENTS OF INDUSTRY SPECIFICATION SFF-8644.
- LIGHT PIPE SUB-ASSEMBLY WITH MOUNTING CLIP ASSEMBLY AFTER EXTERNAL CONNECTOR WITHOUT STOPS APPLIED TO PCB.
- THIS PRODUCT MEETS EUROPEAN UNION DIRECTIVES AND OTHER COUNTRY REGULATIONS AS DESCRIBED IN GS-47-0004.

spec ref		-		dr	Jackbin Zou	2014/07/09	projection 	mm ←→	size	A4	scale	3:2
tolerance std		TOLERANCES UNLESS OTHERWISE SPECIFIED		eng	Jackbin Zou	2014/12/18			ecn no	-		
ASME Y14.5				chr	-	-						
surface		✓		appr	Collins Lu	2014/12/18	product family		rel level		Released	
ASME Y14.5		linear	0.X ±0.50	 <a href="http://www.fci.com">www.fci.com</a>		title IX4 LIGHT PIPE SUB-ASSY W/MOUNTING CLIP MINI SAS HD		dwg no 10130602		rev A		
			0.XX ±0.30									
			0.XXX ±0.20									
		angular	0° ±3°	cat. no.		Product - Customer Drw		sheet 1 of 1				

Pro/E File - REV C - 2009-06-09