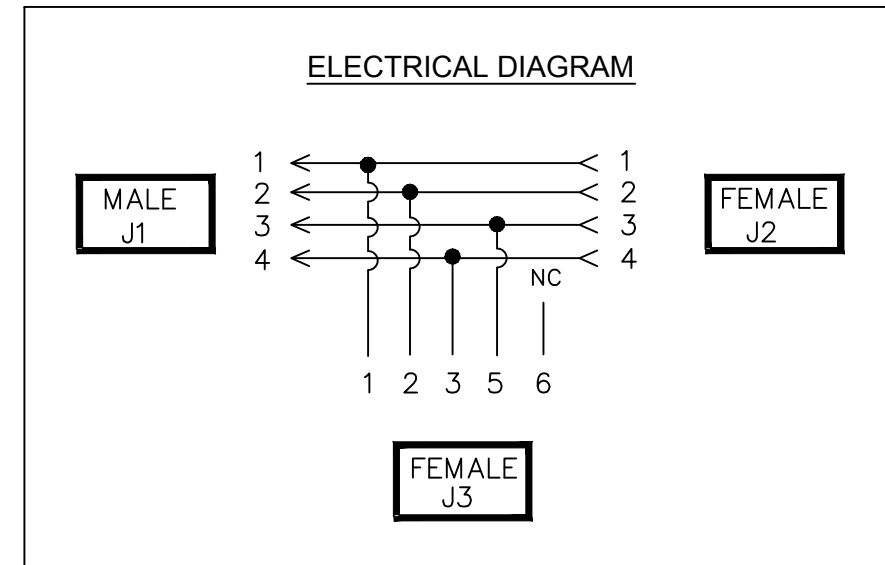
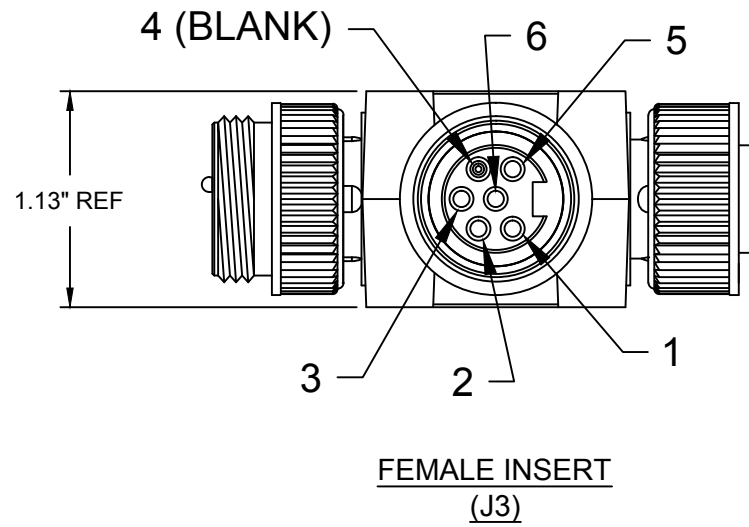
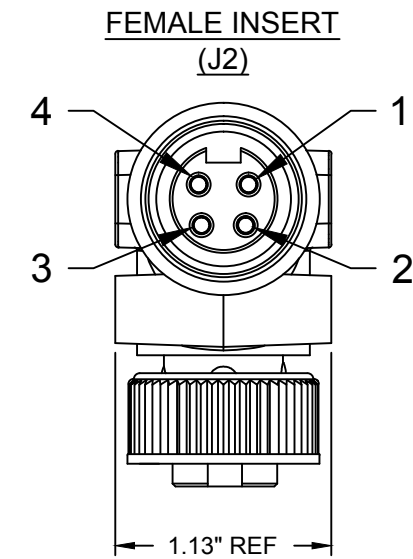
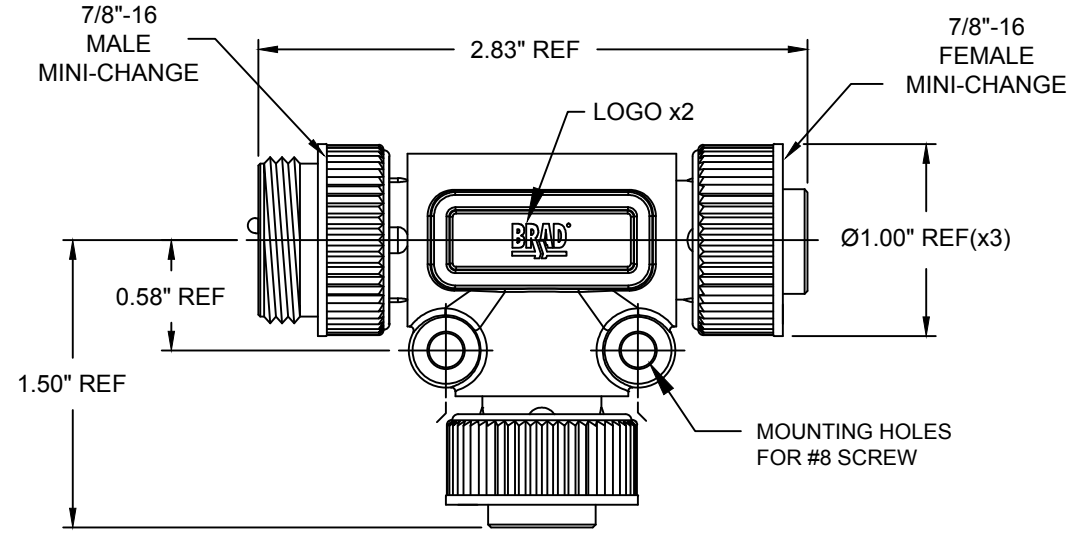
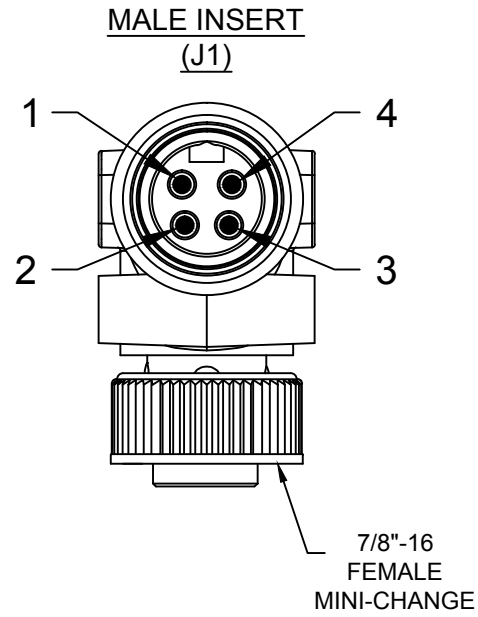


MOLEX SAP P/N#	ENGINEERING P/N#
1300180466	1300180466



**SPECIFICATIONS:**

COUPLING NUT MATERIAL: ZINC DIECAST WITH BLACK ELECTROPHORETIC COATING

CONTACT MATERIAL: GOLD/NICKEL OVER COPPER ALLOY

INSERT MATERIAL: YELLOW TPE

OVERMOLD MATERIAL: YELLOW TPE

ASSEMBLY RATING: 600V, 5.6A

ENVIRONMENTAL: -20°C TO 90°C  
IP67 WHEN MATED

CUSTOMER PRODUCTION APPROVAL  
APPROVED BY: \_\_\_\_\_  
DATE: \_\_\_\_\_  
MUST BE SIGNED AND RETURNED BEFORE  
PRODUCTION WILL BEGIN.

**RESTRICTED SALES DRAWING**

INITIAL RELEASE EC NO: IPG2014-0872 DRWN: VOU 2013/11/11 CHKD: BARDEN APPR: JFMURPHY 2013/11/22 REV	QUALITY SYMBOLS	GENERAL TOLERANCES (UNLESS SPECIFIED)		DIMENSION STYLE		SCALE	DESIGN UNITS	THIRD ANGLE PROJECTION		
	$\nabla=0$ $\sphericalangle=0$	mm	INCH	INCH ONLY		1:1	INCH			
		4 PLACES	±---	±---	DRAWN BY	DATE	TITLE			
		3 PLACES	±---	±.005	VOU	2013/11/11	MINI-CHANGE TEE 4P TO 6P DROP, SPECIAL			
	2 PLACES	±0.13	±.010	CHECKED BY	DATE	MOLEX INCORPORATED				
	1 PLACE	±0.25	±.020	BARDEN	2013/11/15	SD-130018-011				
	ANGULAR ±1/2°			APPROVED BY	DATE	DOCUMENT NO.		SHEET NO.		
	DRAFT WHERE APPLICABLE MUST REMAIN WITHIN DIMENSIONS			JFMURPHY	2013/11/22	SD-130018-011		1 OF 1		
A4	SIZE	THIS DRAWING CONTAINS INFORMATION THAT IS PROPRIETARY TO MOLEX INCORPORATED AND SHOULD NOT BE USED WITHOUT WRITTEN PERMISSION								
	B									