

Technical Data:

Number of positions	4 + 3 + PE	
Number of contacts	4	4
Contact Ø [mm]	1	2
Nominal current [A]	12	18
Nominal voltage [V~]	300	600
Degree of pollution 3		
Test voltage [V~]	1700	1700
Max. contact resistance [mΩ]	3	
Insulation resistance [MΩ]	>100	
Protection	IP67 (connected)	
Temperature range (fixed)	-40°C to 90°C	
Temperature range (flex)	-25°C to 80°C	

Further details see Product Specification 1204800050
The cordsets delivered packed into carton without PE-bag

**WIRING DIAGRAM
CONNECTION: IN-LINE**

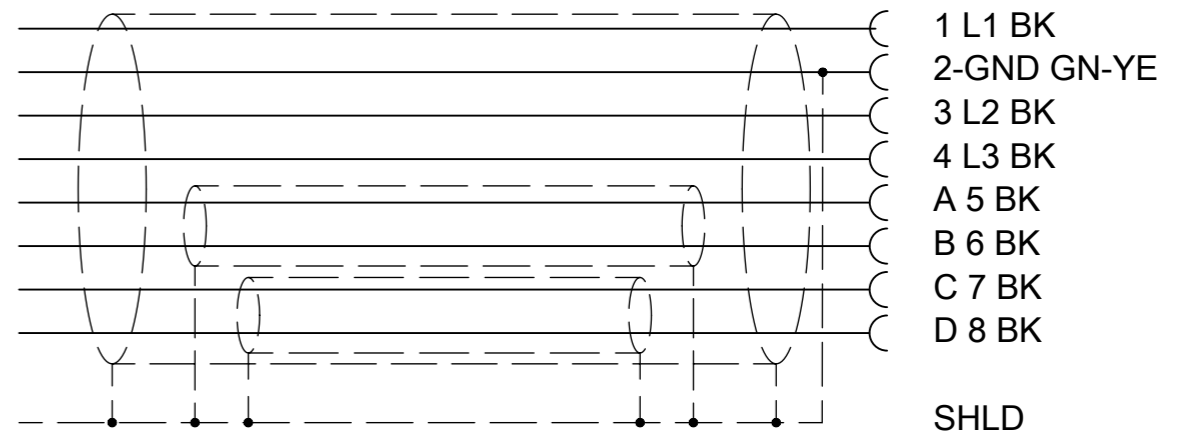
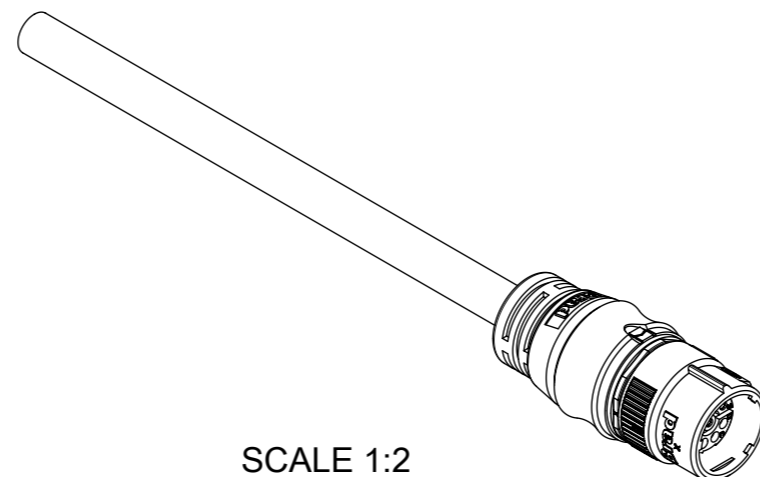


TABLE 1

MOLEX PN	L [mm]	Tol.[mm]
1204800661	1000	+40
1204800662	2000	+60
1204800663	3000	+60
1204800664	4000	+60
1204800665	5000	+60
1204800666	10000	+80
1204800667	15000	+140
1204800668	20000	+140

TABLE 2

POS	QTY	DESCRIPTION
1	1	PLG M23QC 4P+3P+PE PC FE STR SHLD
2	1	CABLE 4X1.5+2X(2X0.75) WSOR OR D12.1 SHL



SYMBOLS DIMENSION UNITS: mm SCALE: 1:2 GENERAL TOLERANCES (UNLESS SPECIFIED): ANGULAR TOL ± 1.0° 4 PLACES ± 3 PLACES ± 2 PLACES ± 0.05 1 PLACE ± 0.3 0 PLACES ± 0.5 DRAFT WHERE APPLICABLE MUST REMAIN WITHIN DIMENSIONS THIRD ANGLE PROJECTION	CURRENT REV DESC: EC NO: 625960 DRWN: THAERDT 2019/10/21 CHK'D: RSILLER 2019/11/21 APPR: RSILLER 2019/11/21 INITIAL REVISION: DRWN: MSCHERER 2018/06/29 APPR: RSILLER 2019/11/21		 CSE M23QC 8P PC FE STR WSOR XM SHLD PRODUCT CUSTOMER DRAWING	
	DOCUMENT NUMBER: 1204800661 DOC TYPE: PSD DOC PART: 000 REVISION: A	MATERIAL NUMBER: SEE TABLE 1 CUSTOMER: GENERAL MARKET SHEET NUMBER: 1 OF 1		