

Description:

Industrial Gigabit (10/100/1000Base-T) single port RJ45 vertical/ top entry integrated magnetics connector, designed to support applications, such as embedded automation and drive control, wall and panel mount HMI and outdoor networks.



- Ⓢ Exceeds IEEE 802.3au specification for 1000Base-T
- Ⓢ 350µH minimum OCL with 8mA bias current
- Ⓢ Rugged Industrial Temperature range -40 to +85°C
- Ⓢ Fully conforms to RoSH-6 without exemptions
- Ⓢ Replaces JD3/JXD3-0002NL and JD3/JXD3-0001NL

Electrical Specifications @ 25°C - Operating Temperature -40°C to +85°C ³														
Part Number	LEDs ¹	Speed	EMI Tabs	Insertion Loss max (dB)	Return Loss (dB MIN) 100.Ω (±15Ω)					Cross Talk (dB TYP)			Common Mode Rejection (dB TYP)	Hipot (MIN)
					1-125 MHz	1-40 MHz	40-60 MHz	60-80 MHz	80-100 MHz	1-10 MHz	32-65 MHz	65-100 MHz		
JXD3-0Z02NL	Y/G	10/100/1000BT	N/A	-1.2	-16	-12	-10	-8	-40	-35	-30	-30	60 Secs	2250VDC

Notes: 1. LEDs Left/Right G = green, Y = yellow

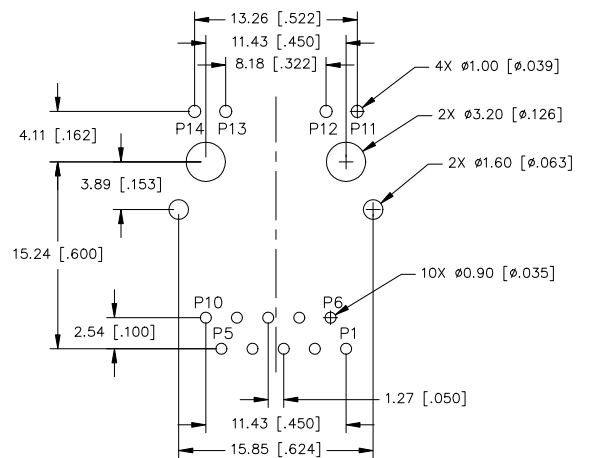
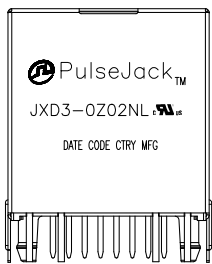
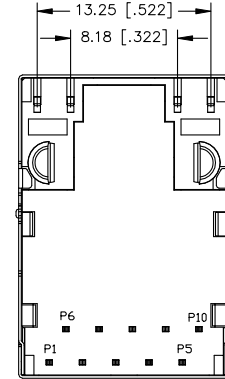
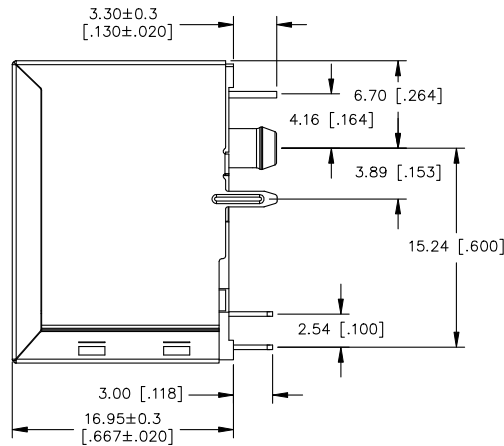
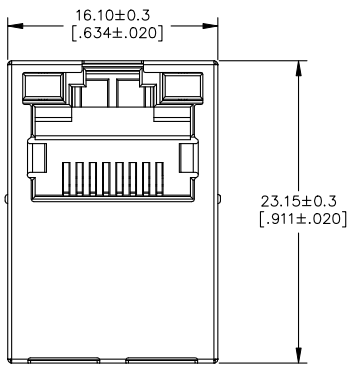
RJ45 Durability Testing Rating				
Part Number	Mating Force (MAX)	Unmating Force (MAX)	Durability	Plug to Jack Retention (MIN)
JXD3 Series	5 lbs./2.268 kgs.	5 lbs./2.268 kgs.	750 Insertions	20 lbs./9.072 kgs.

RJ45 Material Specification								
Part Number	Shield		Contact			Housing		MSL ² Rating
	Material	Finish	Material	Plating Area	Solder Area	Material	Specification	
JXD3 Series	Copper Alloy	30-50µ inches thick nickel	Phosphor Bronze	30µ inches gold over 50µ inches nickel	Tin matte finish over nickel	Thermoplastic	UL 94 V-0	1

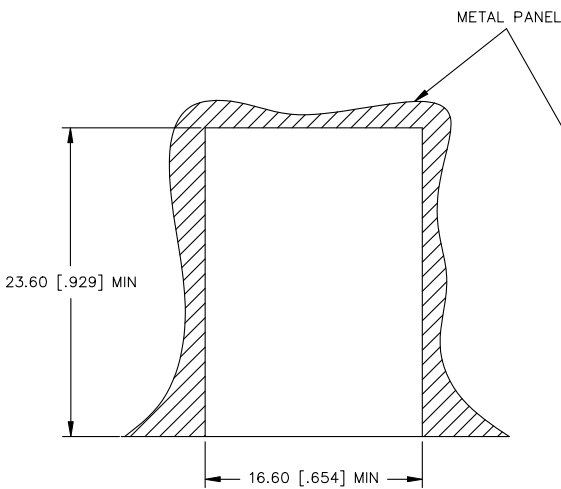
Notes: 1. Connector dimensions comply with FCC dimension requirements.
 2. MSL - Moisture Sensitivity Level
 3. Storage Temperature; -40 to +85°C

MECHANICALS

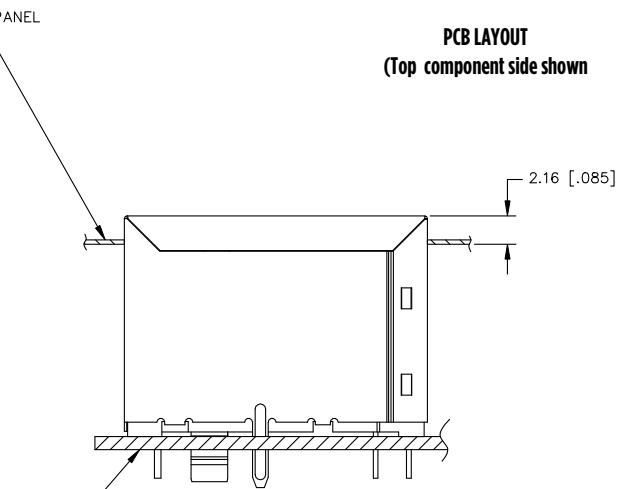
JXD3-0Z02NL



PCB LAYOUT
(Top component side shown)



PANEL CUTOUT

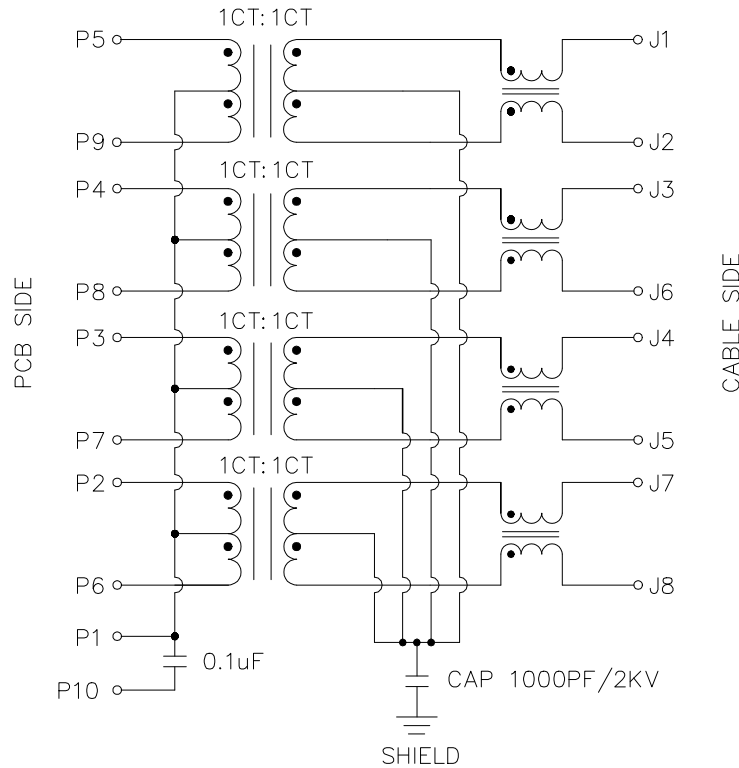


PCB MOUNTING

Dimensions:
Unless otherwise specified,
all tolerances are ± 0,25

SCHEMATICS

JXD3-0Z02NL



JXD3-0Z02NL LED's



EMITTED COLOR	GREEN	YELLOW
WAVELENGTH (nm)	570	590
POWER DISSIPATION (Pd)	105 mW MAX	105 mW MAX
DC FORWARD CURRENT	20 mA MAX	20 mA MAX
Ir @ Vr = 5V	10uA Max	10uA Max
FORWARD VOLTAGE (VF) @ 20 mA	1.8 -2.4V	2.1V TYP

Note: Per Vendor Specification

For More Information:

Americas - prodinfo_network_americas@yageo.com | Europe - prodinfo_network_emea@yageo.com | Asia - prodinfo_network_apac@yageo.com

Performance warranty of products offered on this data sheet is limited to the parameters specified. Data is subject to change without notice. Other brand and product names mentioned herein may be trademarks or registered trademarks of their respective owners. © Copyright, 2022. Pulse Electronics, Inc. All rights reserved.