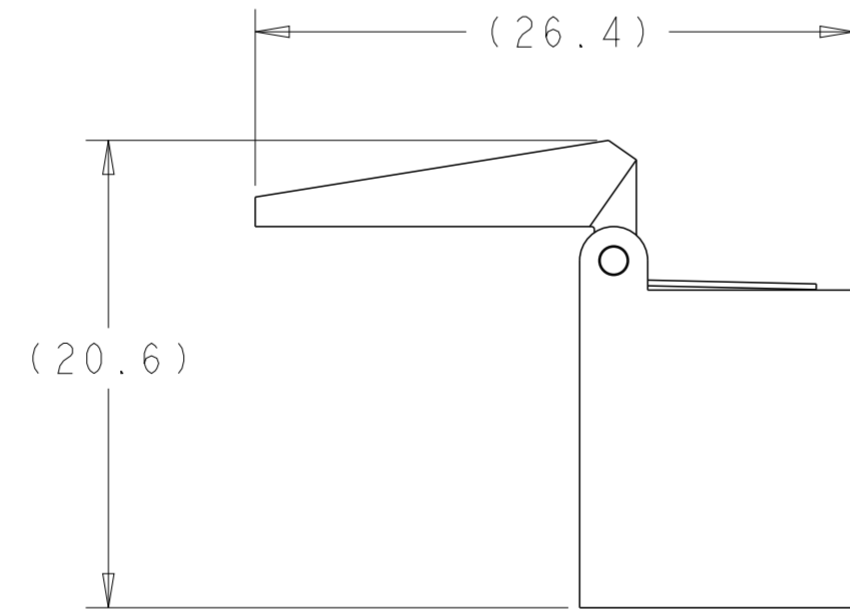
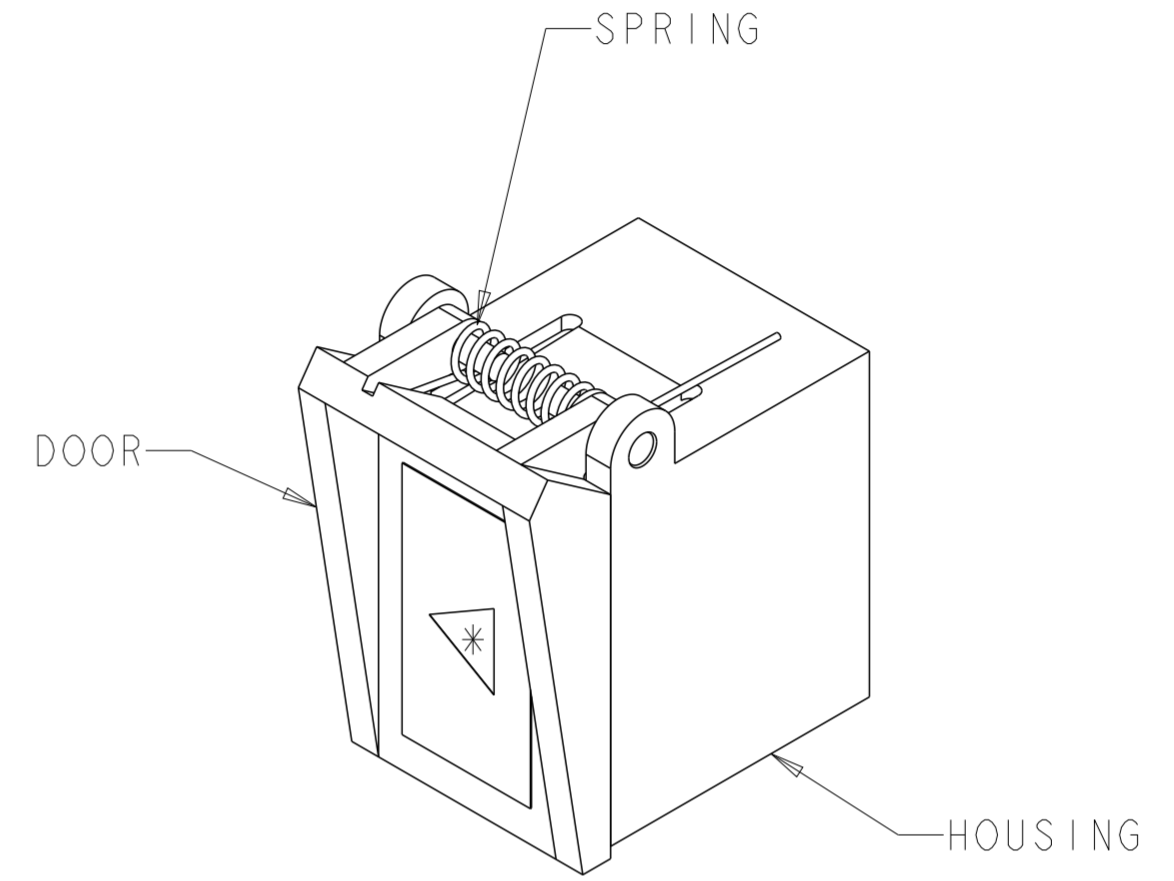
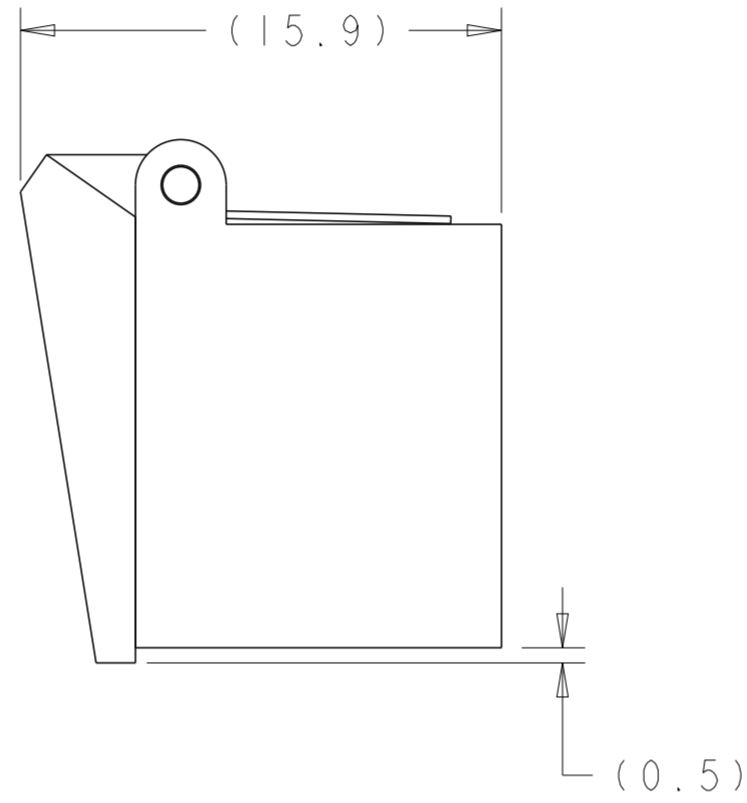
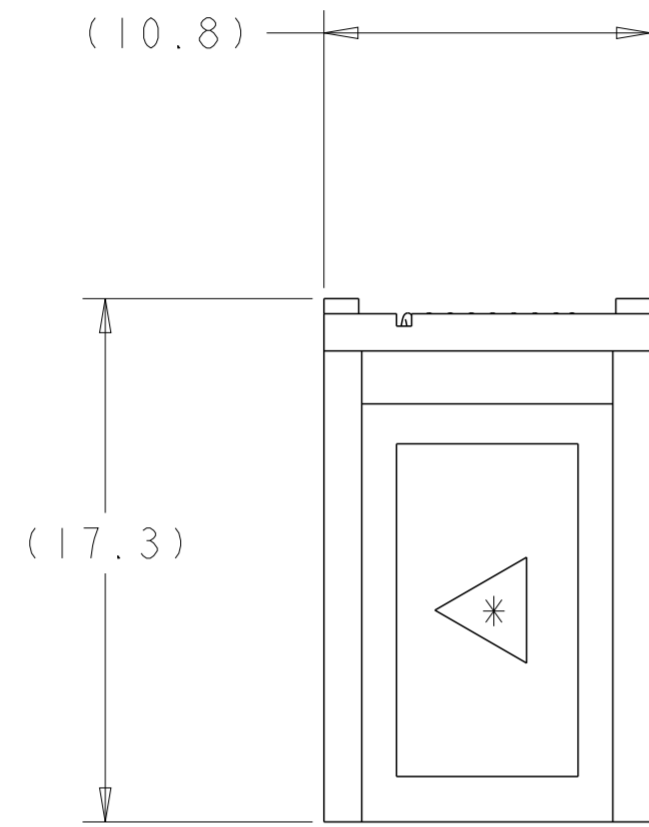


P	LTR	DESCRIPTION	DATE	DWN	APVD
	CI	ECR-22-158610	05DEC2022	JL	WH



DOOR OPEN VIEW

OBSOLETE

GREEN	1693539-3
BEIGE	1693539-2
BLUE	1693539-1
COLOR	PART NUMBER

MATERIAL:
 HOUSING AND DOOR: PBT, UL94 V-0 RATED AT QUALIFYING THICKNESS
 SPRING: STAINLESS STEEL

THIS DRAWING IS A CONTROLLED DOCUMENT.		DWN MDL 08MAY2003	STE TE Connectivity	
DIMENSIONS: mm		CHK MDL 08MAY2003		
TOLERANCES UNLESS OTHERWISE SPECIFIED:		APVD SB 08MAY2003	NAME COVER, RETRACTABLE, SC ADAPTER, SIMPLEX	
0 PLC ±.15		PRODUCT SPEC -	SIZE A2	CAGE CODE 00779
1 PLC ±0.15		APPLICATION SPEC -	DRAWING NO C-1693539	RESTRICTED TO -
2 PLC ±0.08		WEIGHT -	SCALE 3:1	SHEET 1 OF 1
3 PLC ±0.050		CUSTOMER DRAWING	REV CI	
4 PLC ±				
ANGLES ±1/2				
FINISH -				
MATERIAL material_2	finish_spec_2			